

# **Harrison Machine & Plastic Corporation**



## **CORZAN® CPVC Fume Exhaust Systems**

**CPVC DUCT FITTINGS & CPVC DUCT  
PIPE**

**LIST PRICE CATALOG**

**EFFECTIVE 11-1-2022**



## **CORZAN® Key Industrial Fabricator**

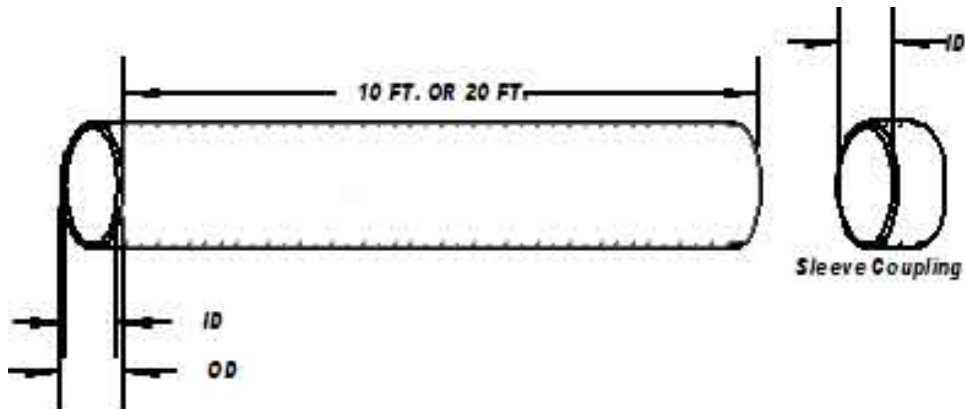
- Harrison is recognized for inclusion in the Corzan® Key Industrial Fabricator Program, in that we have completed a qualification process, whereby our welding processes meet established standards, which focus on weld strength (short term tensile strength), following the guidelines of ASTM C 1147
- Harrison CPVC duct systems are produced from a CPVC Corzan® material with unique physical properties offering higher impact strength and fire resistance capabilities, making Corzan® a desirable product for air handling duct systems
- CPVC has an upper temperature limit 200° F
- CPVC Is light weight, easy to install and is cost effective
- Extruded duct thru 24" diameter meets ULC S102.2 with a maximum flame spread rating of 5 or less and a maximum smoke generation of 25 or less
- Fittings thru 24" diameter are fabricated from extruded duct stock which meets the ULC S 102.2 requirement
- We offer a complete line of seamless duct and duct fittings from 2" thru 24" diameters
- Specializing in larger systems fabricated from rolled stock thru 60" in diameter
- Inventory maintained and manufactured at two Harrison facilities (Garrettsville, OH and Clover, SC)
- Square and rectangular components or systems are available per customer specifications



# HARRISON MACHINE & PLASTIC CORPORATION

11614 ST. RT. 88 | GARRETTSVILLE, OH

Ph. 330.527.5641 | Fax 330.527.5640



<b>Corzan® CPVC</b>						
<b>Duct Pipe</b>						
Part No.	Size	O.D.	Wall	Std. Length	List Price	List Price
					Per Ft.	Per Ft.
	<b>Extruded</b>				10 ft.	20 ft.
1833-PP-02	2"	2.375"	0.154"	10 ft. or 20 ft.	\$ 16.73	\$ 14.98
1833-PP-03	3"	3.500"	0.216"	10 ft. or 20 ft.	\$ 32.80	\$ 31.04
1833-PP-04	4"	4.500"	0.237"	10 ft. or 20 ft.	\$ 45.92	\$ 44.17
1833-PP-06	6"	6.625"	0.187"	10 ft. or 20 ft.	\$ 56.88	\$ 54.08
1833-PP-08	8"	8.625"	0.187"	10 ft. or 20 ft.	\$ 73.81	\$ 71.01
1833-PP-10	10"	10.750"	0.187"	10 ft. or 20 ft.	\$ 92.50	\$ 89.00
1833-PP-12	12"	12.750"	0.187"	10 ft. or 20 ft.	\$ 109.23	\$ 105.73
1833-PP-14	14"	14.000"	0.187"	10 ft. or 20 ft.	\$ 219.80	\$ 215.60
1833-PP-16	16"	16.000"	0.187"	10 ft. or 20 ft.	\$ 250.78	\$ 246.58
1833-PP-18	18"	18.000"	0.187"	10 ft. or 20 ft.	\$ 303.20	\$ 297.96
1833-PP-20	20"	20.000"	0.219"	10 ft. or 20 ft.	\$ 364.77	\$ 359.52
1833-PP-24	24"	24.000"	0.250"	10 ft. or 20 ft.	\$ 497.98	\$ 492.73

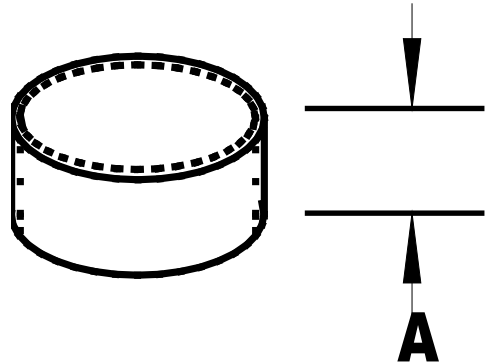
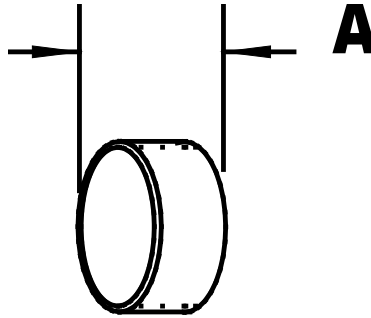
**Duct diameters thru 60" are available. Contact factory for details.**



**HARRISON MACHINE & PLASTIC CORPORATION**

11614 ST. RT. 88 | GARRETTSVILLE, OH

Ph. 330.527.5641 | Fax 330.527.5640



<b>Coupling</b>		
Sleeved		
Part No.	Size	List price
1834-CP-02	2"	\$ 119.66
1834-CP-03	3"	\$ 151.28
1834-CP-04	4"	\$ 171.04
1834-CP-06	6"	\$ 194.52
1834-CP-08	8"	\$ 223.53
1834-CP-10	10"	\$ 259.36
1834-CP-12	12"	\$ 295.11
1834-CP-14	14"	\$ 312.98
1834-CP-16	16"	\$ 348.72
1834-CP-18	18"	\$ 386.71
1834-CP-20	20"	\$ 409.00
1834-CP-24	24"	\$ 478.51

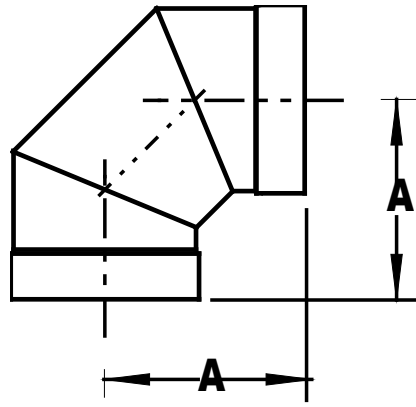
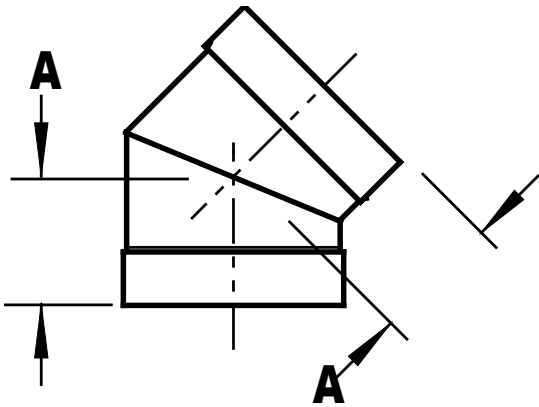
<b>Cap</b>		
Belled		
Part No.	Size	List Price
1834-CA-02	2"	\$ 230.51
1834-CA-03	3"	\$ 258.40
1834-CA-04	4"	\$ 293.01
1834-CA-06	6"	\$ 343.77
1834-CA-08	8"	\$ 389.43
1834-CA-10	10"	\$ 439.96
1834-CA-12	12"	\$ 498.01
1834-CA-14	14"	\$ 551.53
1834-CA-16	16"	\$ 676.99
1834-CA-18	18"	\$ 852.18
1834-CA-20	20"	\$ 892.78
1834-CA-24	24"	\$1,000.19



# HARRISON MACHINE & PLASTIC CORPORATION

11614 ST. RT. 88 | GARRETTSVILLE, OH

Ph. 330.527.5641 | Fax 330.527.5640



<b>45° Elbow</b>		
<b>Belled (2 piece)</b>		
<b>Part No.</b>	<b>Size</b>	<b>List Price</b>
1834-45-02	2"	\$ 243.20
1834-45-03	3"	\$ 269.52
1834-45-04	4"	\$ 314.67
1834-45-06	6"	\$ 317.38
1834-45-08	8"	\$ 417.57
1834-45-10	10"	\$ 556.22
1834-45-12	12"	\$ 706.92
1834-45-14	14"	\$ 877.05
1834-45-16	16"	\$ 1,064.06
1834-45-18	18"	\$ 1,323.02
1834-45-20	20"	\$ 1,627.36
1834-45-24	24"	\$ 2,394.61

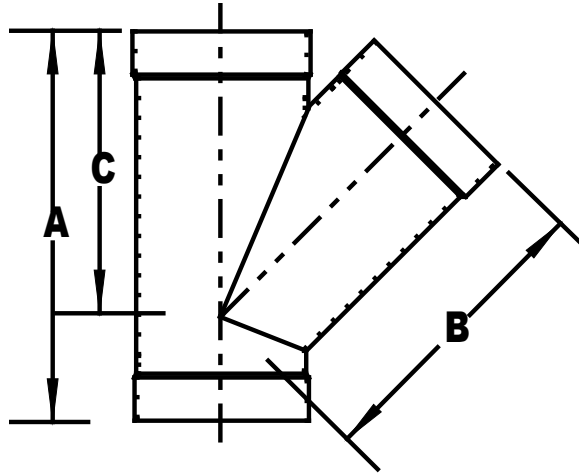
<b>90° Elbow</b>		
<b>Belled (3 piece)</b>		
<b>Part No.</b>	<b>Size</b>	<b>List Price</b>
1834-90-02	2"	\$ 315.46
1834-90-03	3"	\$ 341.78
1834-90-04	4"	\$ 397.04
1834-90-06	6"	\$ 438.57
1834-90-08	8"	\$ 624.29
1834-90-10	10"	\$ 886.65
1834-90-12	12"	\$ 1,030.57
1834-90-14	14"	\$ 1,314.22
1834-90-16	16"	\$ 1,622.02
1834-90-18	18"	\$ 2,058.85
1834-90-20	20"	\$ 2,590.04
1834-90-24	24"	\$ 3,922.96



# HARRISON MACHINE & PLASTIC CORPORATION

11614 ST. RT. 88 | GARRETTSVILLE, OH

Ph. 330.527.5641 | Fax 330.527.5640



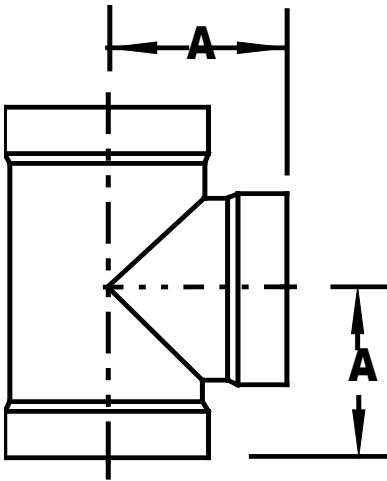
<b>45° Wye</b>		
<b>Belled</b>		
<b>Part No.</b>	<b>Size</b>	<b>List Price</b>
1834-Y-06	6" x 6" x 6"	\$ 808.68
1834-Y-08	8" x 8" x 8"	\$ 1,086.71
1834-Y-10	10" x 10" x 10"	\$ 1,462.25
1834-Y-12	12" x 12" x 12"	\$ 1,780.51
1834-Y-14	14" x 14" x 14"	\$ 2,142.02
1834-Y-16	16" x 16" x 16"	\$ 2,527.60
1834-Y-18	18" x 18" x 18"	\$ 3,097.42
1834-Y-20	20" x 20" x 20"	\$ 3,779.09
1834-Y-24	24" x 24" x 24"	\$ 5,437.17



# HARRISON MACHINE & PLASTIC CORPORATION

11614 ST. RT. 88 | GARRETTSVILLE, OH

Ph. 330.527.5641 | Fax 330.527.5640



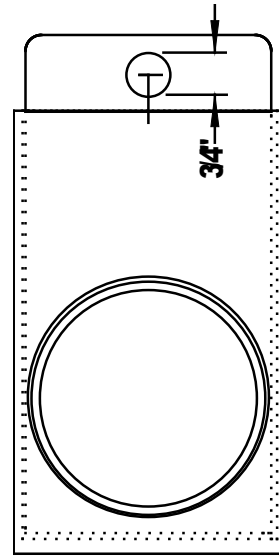
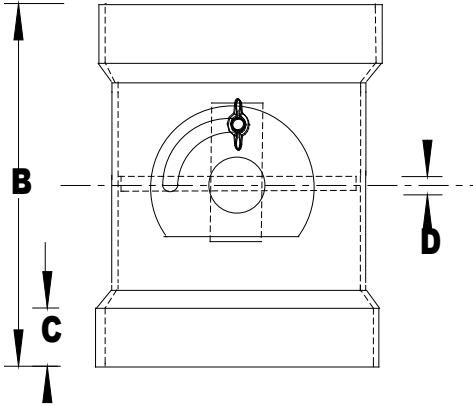
<b>Tee</b>		
<b>Belled</b>		
<b>Part No.</b>	<b>Size</b>	<b>List Price</b>
1834-T-02	2" x 2" x 2"	\$ 363.20
1834-T-03	3" x 3" x 3"	\$ 417.32
1834-T-04	4" x 4" x 4"	\$ 477.99
1834-T-06	6" x 6" x 6"	\$ 613.28
1834-T-0604	6" x 6" x 4"	\$ 497.54
1834-T-08	8" x 8" x 8"	\$ 904.31
1834-T-0806	8" x 8" x 6"	\$ 727.20
1834-T-10	10" x 10" x 10"	\$ 1,283.04
1834-T-1008	10" x 10" x 8"	\$ 1,047.19
1834-T-12	12" x 12" x 12"	\$ 1,591.71
1834-T-14	14" x 14" x 14"	\$ 1,943.73
1834-T-16	16" x 16" x 16"	\$ 2,301.23
1834-T-18	18" x 18" x 18"	\$ 2,828.24
1834-T-20	20" x 20" x 20"	\$ 3,444.78
1834-T-24	24" x 24" x 24"	\$ 4,913.54



# HARRISON MACHINE & PLASTIC CORPORATION

11614 ST. RT. 88 | GARRETTSVILLE, OH

Ph. 330.527.5641 | Fax 330.527.5640



<b>Butterfly Damper</b>		
<b>Belled</b>		
Part No.	Size	List Price
1834-BD-02	2"	\$ 499.83
1834-BD-03	3"	\$ 514.61
1834-BD-04	4"	\$ 581.49
1834-BD-06	6"	\$ 679.67
1834-BD-08	8"	\$ 839.81
1834-BD-10	10"	\$ 1,052.55
1834-BD-12	12"	\$ 1,262.30
1834-BD-14	14"	\$ 1,464.42
1834-BD-16	16"	\$ 1,713.22
1834-BD-18	18"	\$ 2,049.33
1834-BD-20	20"	\$ 2,436.87
1834-BD-24	24"	\$ 3,382.66

<b>Blastgate</b>		
<b>Belled</b>		
Part No.	Size	List Price
1834-BG-02	2"	\$ 487.15
1834-BG-03	3"	\$ 566.74
1834-BG-04	4"	\$ 613.79
1834-BG-06	6"	\$ 807.19
1034-BG-08	8"	\$ 997.28
1834-BG-10	10"	\$ 1,075.24
1834-BG-12	12"	\$ 1,289.47
1834-BG-14	14"	\$ 1,528.83
1834-BG-16	16"	\$ 1,808.40
1834-BG-18	18"	\$ 2,212.41
1834-BG-20	20"	\$ 3,455.15
1834-BG-24	24"	\$ 3,570.64

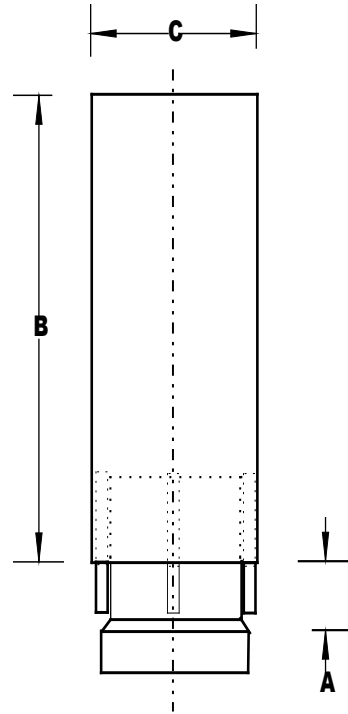
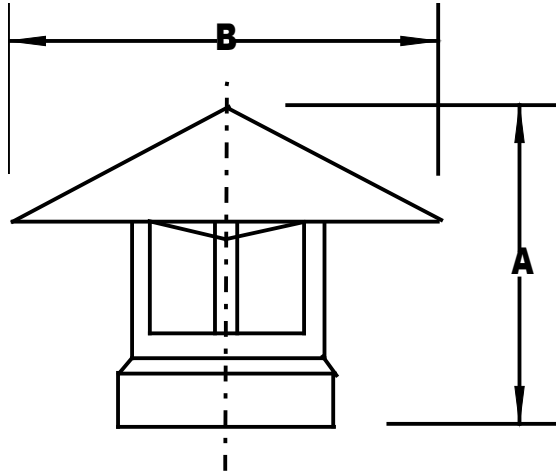




# HARRISON MACHINE & PLASTIC CORPORATION

11614 ST. RT. 88 | GARRETTSVILLE, OH

Ph. 330.527.5641 | Fax 330.527.5640



## Rain Cap (Style "A")

Belled

Part No.	Size	List Price
1834-WCA-02	2"	\$ 610.56
1834-WCA-03	3"	\$ 678.40
1834-WCA-04	4"	\$ 754.13
1834-WCA-06	6"	\$ 931.47
1834-WCA-08	8"	\$ 1,024.67
1834-WCA-10	10"	\$ 1,276.98
1834-WCA-12	12"	\$ 1,418.85
1834-WCA-14	14"	\$ 1,929.03
1834-WCA-16	16"	\$ 2,261.53
1834-WCA-18	18"	\$ 3,228.38
1834-WCA-20	20"	\$ 4,054.39
1834-WCA-24	24"	\$ 5,076.21

## Rain Cap (Style "B")

Zero Pressure Loss Feature

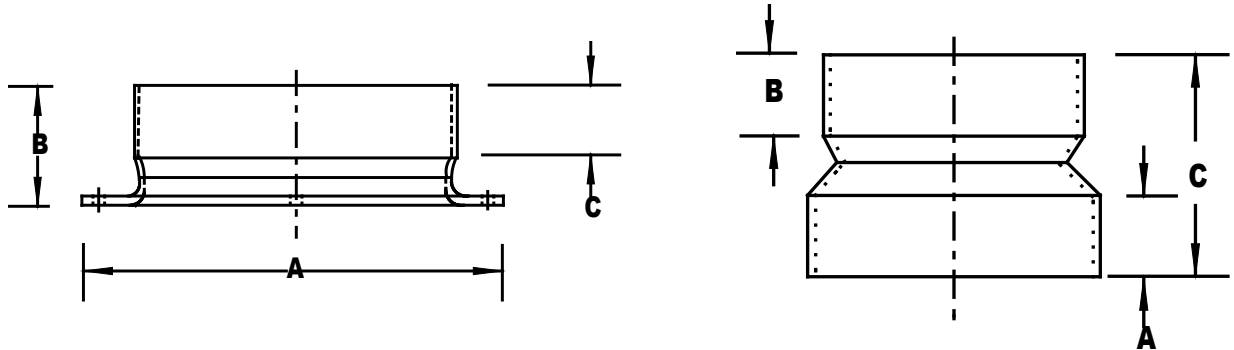
Part No.	Size	List Price
1834-WCB-02	2"	\$ 700.41
1834-WCB-03	3"	\$ 761.33
1834-WCB-04	4"	\$ 846.02
1834-WCB-06	6"	\$ 989.66
1834-WCB-08	8"	\$ 1,099.41
1834-WCB-10	10"	\$ 1,383.57
1834-WCB-12	12"	\$ 1,552.08
1834-WCB-14	14"	\$ 2,801.41
1834-WCB-16	16"	\$ 4,848.61
1834-WCB-18	18"	\$ 6,267.27
1834-WCB-20	20"	\$ 7,111.31
1834-WCB-24	24"	\$ 11,133.78



# HARRISON MACHINE & PLASTIC CORPORATION

11614 ST. RT. 88 | GARRETTSVILLE, OH

Ph. 330.527.5641 | Fax 330.527.5640



<b>Flange</b>		
Socket/Belled		
Part No.	Size	List Price
1834-SF-02	2"	\$ 132.72
1834-SF-03	3"	\$ 167.59
1834-SF-04	4"	\$ 203.37
1834-SF-06	6"	\$ 285.73
1834-SF-08	8"	\$ 330.07
1834-SF-10	10"	\$ 378.82
1834-SF-12	12"	\$ 418.19
1834-SF-14	14"	\$ 484.56
1834-SF-16	16"	\$ 594.21
1834-SF-18	18"	\$ 867.36
1834-SF-20	20"	\$ 902.75
1834-SF-24	24"	\$1,187.98

**Duct Drilling, Not 150#**

<b>Reducer Coupling</b>		
One Step Bell X Bell		
Part No.	Size	List Price
1834-RC-0403	4 x 3"	\$ 244.88
1834-RC-0604	6 x 4"	\$ 286.95
1834-RC-0806	8 x 6"	\$ 323.77
1834-RC-1008	10 x 8"	\$ 345.23
1834-RC-1210	12 x 10"	\$ 368.01
1834-RC-1412	14 x 12"	\$ 391.53
1834-RC-1614	16 x 14"	\$ 418.03
1834-RC-1816	18 x 16"	\$ 895.65



# HARRISON MACHINE & PLASTIC CORPORATION

11614 ST. RT. 88 | GARRETTSVILLE, OH

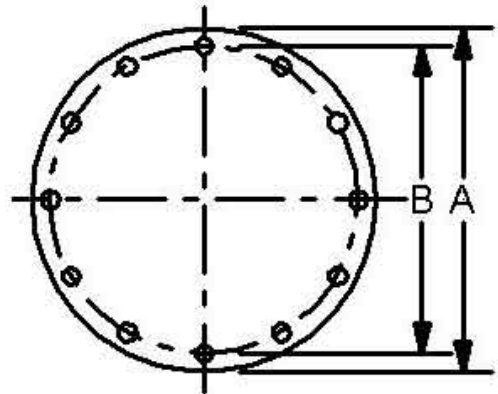
Ph. 330.527.5641 | Fax 330.527.5640

## Blind Flange

Part No.	Size	List Price
1834-BF-02	2"	\$ 174.67
1834-BF-03	3"	\$ 202.53
1834-BF-04	4"	\$ 229.97
1834-BF-06	6"	\$ 249.64
1834-BF-08	8"	\$ 268.33
1834-BF-10	10"	\$ 314.27
1834-BF-12	12"	\$ 383.22
1834-BF-14	14"	\$ 304.54
1834-BF-16	16"	\$ 369.17
1834-BF-18	18"	\$ 555.58
1834-BF-20	20"	\$ 670.60
1834-BF-24	24"	\$ 804.89

All blind flanges are 3/16" thick.

All bolt holes are 5/16" diameter.



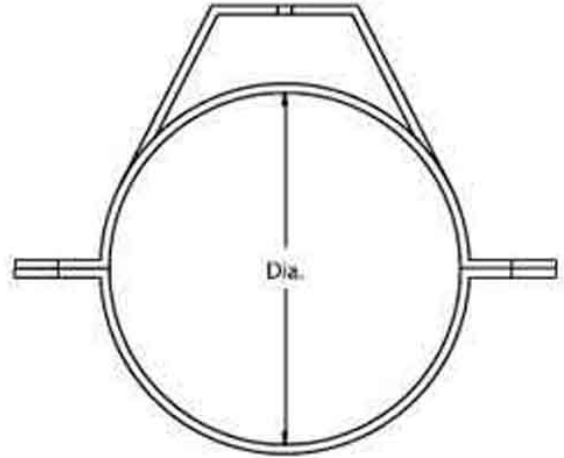


# HARRISON MACHINE & PLASTIC CORPORATION

11614 ST. RT. 88 | GARRETTSVILLE, OH

Ph. 330.527.5641 | Fax 330.527.5640

<b>Pipe Hangers</b>		
<b>Stainless Steel</b>		
<b>Part No.</b>	<b>Size</b>	<b>List price</b>
<b>PH-04</b>	<b>4"</b>	<b>\$ 220.11</b>
<b>PH-06</b>	<b>6"</b>	<b>\$ 220.11</b>
<b>PH-08</b>	<b>8"</b>	<b>\$ 220.11</b>
<b>PH-10</b>	<b>10"</b>	<b>\$ 218.84</b>
<b>PH-12</b>	<b>12"</b>	<b>\$ 231.81</b>
<b>PH-14</b>	<b>14"</b>	<b>\$ 233.37</b>
<b>PH-16</b>	<b>16"</b>	<b>\$ 262.67</b>
<b>PH-18</b>	<b>18"</b>	<b>\$ 261.62</b>
<b>PH-20</b>	<b>20"</b>	<b>\$ 271.17</b>
<b>PH-24</b>	<b>24"</b>	<b>\$ 340.54</b>



**Please Contact factory for prices on:**

**Sizes over 24" or otherwise not listed.**



## HARRISON MACHINE & PLASTIC CORPORATION

11614 ST. RT. 88 | GARRETTSVILLE, OH

Ph. 330.527.5641 | Fax 330.527.5640



<b>Roof Flashing</b>		
<b>EPDM</b>		
<b>Part No.</b>	<b>Size</b>	<b>List price</b>
<b>RF-05</b>	<b>4" - 8-1/4"</b>	<b>\$ 68.29</b>
<b>RF-06</b>	<b>4-3/4" - 8-1/4"</b>	<b>\$ 74.58</b>
<b>RF-07</b>	<b>5-1/2" - 11-1/2"</b>	<b>\$ 106.16</b>
<b>RF-08</b>	<b>6-3/4" - 13-1/2"</b>	<b>\$ 141.39</b>
<b>RF-09</b>	<b>9-1/2" - 20-1/2"</b>	<b>\$ 229.68</b>
<b>RF-10</b>	<b>12" - 28-1/2"</b>	<b>\$ 432.45</b>

- Please contact the factory for items not shown in this catalog
- Virtually all reduction sizes are available in tees, wyes, elbows and reducer couplings
- All configurations are also available in plain end (spigot end) connections
- Pricing for Rear Exhaust (Single and Double) Hoods as well as Lateral (Single and Double) Hoods available on request
- All types of transitions (square to round, rectangular to round) with socket, spigot or flanged connections are available per customer specification