

Harrison Machine & Plastic Corporation



CORZAN® CPVC **Fume Exhaust Systems**

CPVC DUCT FITTINGS & CPVC DUCT
PIPE

LIST PRICE CATALOG

EFFECTIVE 01-01-2017



CORZAN® Key Industrial Fabricator

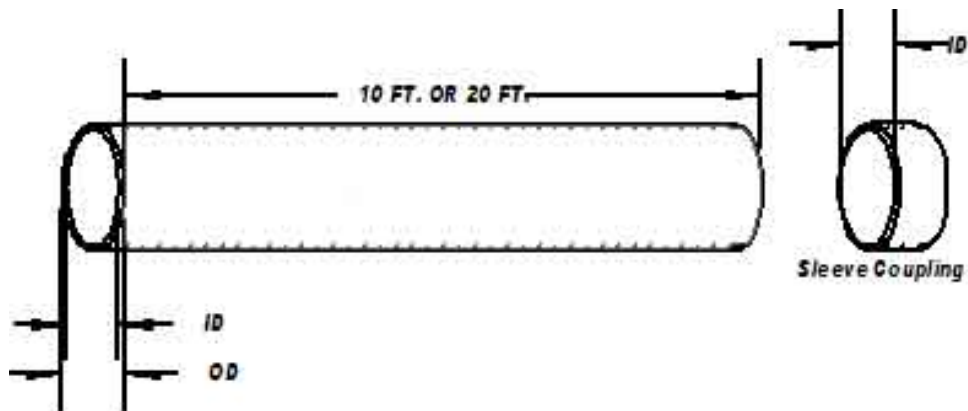
- Harrison is recognized for inclusion in the Corzan® Key Industrial Fabricator Program, in that we have completed a qualification process, whereby our welding processes meet established standards, which focus on weld strength (short term tensile strength), following the guidelines of ASTM C 1147
- Harrison CPVC duct systems are produced from a CPVC Corzan® material with unique physical properties offering higher impact strength and fire resistance capabilities, making Corzan® a desirable product for air handling duct systems
- CPVC has an upper temperature limit 200° F
- CPVC Is light weight, easy to install and is cost effective
- Extruded duct thru 24" diameter meets ULC S102.2 with a maximum flame spread rating of 5 or less and a maximum smoke generation of 25 or less
- Fittings thru 24" diameter are fabricated from extruded duct stock which meets the ULC S 102.2 requirement
- We offer a complete line of seamless duct and duct fittings from 2" thru 24" diameters
- Specializing in larger systems fabricated from rolled stock thru 60" in diameter
- Inventory maintained and manufactured at two Harrison facilities (Garrettsville, OH and Clover, SC)
- Square and rectangular components or systems are available per customer specifications



HARRISON MACHINE & PLASTIC CORPORATION

11614 ST. RT. 88 | GARRETTSVILLE, OH

Ph. 330.527.5641 | Fax 330.527.5640



Corzan® CPVC						
Duct Pipe						
Part No.	Size	O.D.	Wall	Std. Length	List Price	List Price
					Per Ft.	Per Ft.
	Extruded				10 ft.	20 ft.
1833-PP-02	2"	2.375"	0.154"	10 ft. or 20 ft.	\$ 10.43	\$ 9.91
1833-PP-03	3"	3.500"	0.216"	10 ft. or 20 ft.	\$ 21.52	\$ 20.46
1833-PP-04	4"	4.500"	0.237"	10 ft. or 20 ft.	\$ 34.75	\$ 30.68
1833-PP-06	6"	6.625"	0.187"	10 ft. or 20 ft.	\$ 40.71	\$ 38.68
1833-PP-08	8"	8.625"	0.187"	10 ft. or 20 ft.	\$ 69.16	\$ 65.73
1833-PP-10	10"	10.750"	0.187"	10 ft. or 20 ft.	\$103.92	\$ 98.78
1833-PP-12	12"	12.750"	0.187"	10 ft. or 20 ft.	\$123.66	\$ 117.45
1833-PP-14	14"	14.000"	0.187"	10 ft. or 20 ft.	\$152.15	\$ 144.58
1833-PP-16	16"	16.000"	0.187"	10 ft. or 20 ft.	\$174.05	\$ 165.36
1833-PP-18	18"	18.000"	0.187"	10 ft. or 20 ft.	\$210.34	\$ 199.83
1833-PP-20	20"	20.000"	0.219"	10 ft. or 20 ft.	\$253.76	\$ 241.09
1833-PP-24	24"	24.000"	0.250"	10 ft. or 20 ft.	\$347.82	\$ 330.42

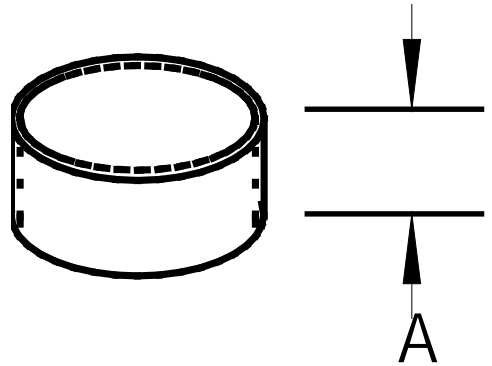
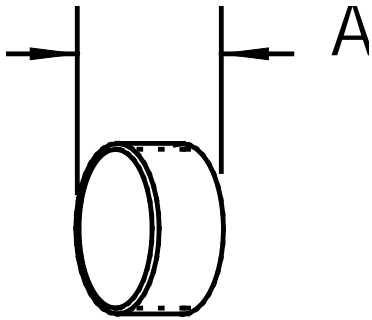
Duct diameters thru 60" are available. Contact factory for details.



HARRISON MACHINE & PLASTIC CORPORATION

11614 ST. RT. 88 | GARRETTSVILLE, OH

Ph. 330.527.5641 | Fax 330.527.5640



Coupling		
Sleeved		
Part No.	Size	List price
1834-CP-02	2"	\$ 77.05
1834-CP-03	3"	\$ 97.41
1834-CP-04	4"	\$ 110.13
1834-CP-06	6"	\$ 125.25
1834-CP-08	8"	\$ 143.93
1834-CP-10	10"	\$ 167.01
1834-CP-12	12"	\$ 190.02
1834-CP-14	14"	\$ 201.53
1834-CP-16	16"	\$ 224.54
1834-CP-18	18"	\$ 249.00
1834-CP-20	20"	\$ 263.36
1834-CP-24	24"	\$ 308.10

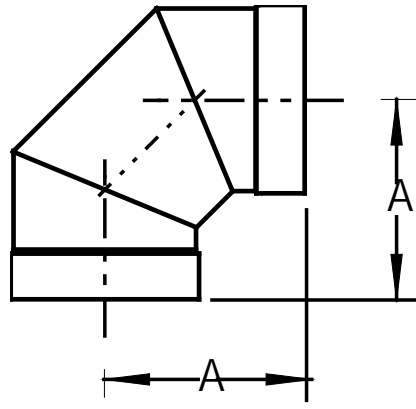
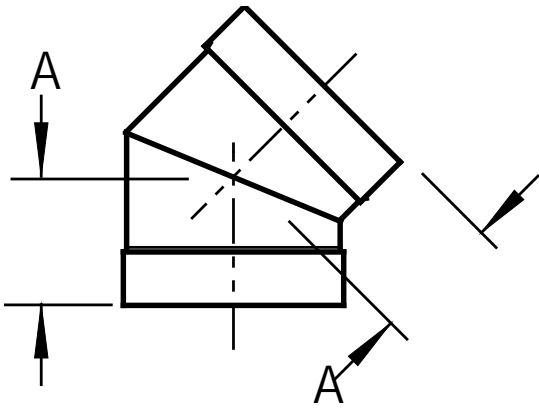
Cap		
Belled		
Part No.	Size	List Price
1834-CA-02	2"	\$148.43
1834-CA-03	3"	\$166.38
1834-CA-04	4"	\$188.67
1834-CA-06	6"	\$221.36
1834-CA-08	8"	\$250.75
1834-CA-10	10"	\$283.29
1834-CA-12	12"	\$320.67
1834-CA-14	14"	\$355.14
1834-CA-16	16"	\$435.92
1834-CA-18	18"	\$548.72
1834-CA-20	20"	\$574.86
1834-CA-24	24"	\$644.03



HARRISON MACHINE & PLASTIC CORPORATION

11614 ST. RT. 88 | GARRETTSVILLE, OH

Ph. 330.527.5641 | Fax 330.527.5640



45° Elbow		
Belled (2 piece)		
Part No.	Size	List Price
1834-45-02	2"	\$ 156.60
1834-45-03	3"	\$ 173.55
1834-45-04	4"	\$ 202.63
1834-45-06	6"	\$ 204.36
1834-45-08	8"	\$ 268.88
1834-45-10	10"	\$ 358.16
1834-45-12	12"	\$ 455.18
1834-45-14	14"	\$ 564.74
1834-45-16	16"	\$ 685.16
1834-45-18	18"	\$ 851.90
1834-45-20	20"	\$1,047.86
1834-45-24	24"	\$1,541.90

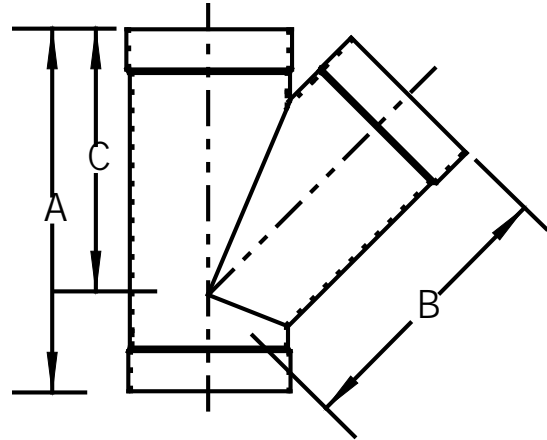
90° Elbow		
Belled (3 piece)		
Part No.	Size	List Price
1834-90-02	2"	\$ 203.13
1834-90-03	3"	\$ 220.07
1834-90-04	4"	\$ 255.65
1834-90-06	6"	\$ 282.40
1834-90-08	8"	\$ 401.99
1834-90-10	10"	\$ 570.92
1834-90-12	12"	\$ 663.59
1834-90-14	14"	\$ 846.24
1834-90-16	16"	\$ 1,044.43
1834-90-18	18"	\$ 1,325.71
1834-90-20	20"	\$ 1,667.74
1834-90-24	24"	\$ 2,526.01



45° Wye

Belled

Part No.	Size	List Price
1834-Y-06	6" x 6" x 6"	\$ 520.72
1834-Y-08	8" x 8" x 8"	\$ 699.73
1834-Y-10	10" x 10" x 10"	\$ 941.55
1834-Y-12	12" x 12" x 12"	\$ 1,146.48
1834-Y-14	14" x 14" x 14"	\$ 1,379.26
1834-Y-16	16" x 16" x 16"	\$ 1,627.54
1834-Y-18	18" x 18" x 18"	\$ 1,994.45
1834-Y-20	20" x 20" x 20"	\$ 2,433.38
1834-Y-24	24" x 24" x 24"	\$ 3,501.03

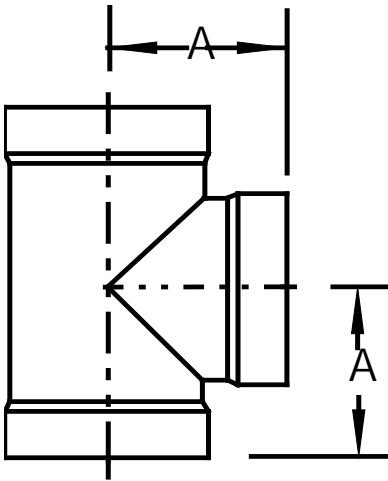




HARRISON MACHINE & PLASTIC CORPORATION

11614 ST. RT. 88 | GARRETTSVILLE, OH

Ph. 330.527.5641 | Fax 330.527.5640



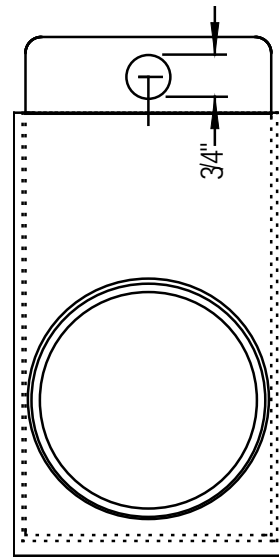
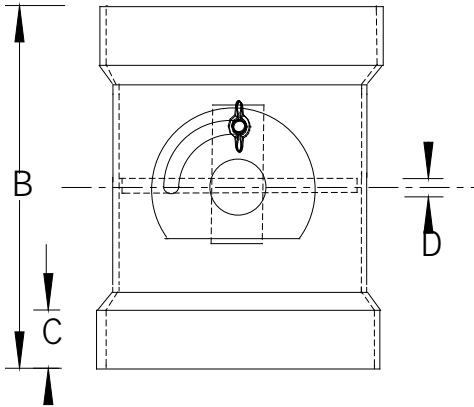
Tee		
Belled		
Part No.	Size	List Price
1834-T-02	2" x 2" x 2"	\$ 233.86
1834-T-03	3" x 3" x 3"	\$ 268.71
1834-T-04	4" x 4" x 4"	\$ 307.78
1834-T-06	6" x 6" x 6"	\$ 394.90
1834-T-0604	6" x 6" x 4"	\$ 320.36
1834-T-08	8" x 8" x 8"	\$ 582.29
1834-T-0806	8" x 8" x 6"	\$ 468.25
1834-T-10	10" x 10" x 10"	\$ 826.16
1834-T-1008	10" x 10" x 8"	\$ 674.29
1834-T-12	12" x 12" x 12"	\$ 1,024.91
1834-T-14	14" x 14" x 14"	\$ 1,251.58
1834-T-16	16" x 16" x 16"	\$ 1,481.78
1834-T-18	18" x 18" x 18"	\$ 1,821.13
1834-T-20	20" x 20" x 20"	\$ 2,218.12
1834-T-24	24" x 24" x 24"	\$ 3,163.86



HARRISON MACHINE & PLASTIC CORPORATION

11614 ST. RT. 88 | GARRETTSVILLE, OH

Ph. 330.527.5641 | Fax 330.527.5640



Butterfly Damper		
Belled		
Part No.	Size	List Price
1834-BD-02	2"	\$ 305.75
1834-BD-03	3"	\$ 314.79
1834-BD-04	4"	\$ 355.71
1834-BD-06	6"	\$ 415.76
1834-BD-08	8"	\$ 513.72
1834-BD-10	10"	\$ 643.85
1834-BD-12	12"	\$ 772.16
1834-BD-14	14"	\$ 895.79
1834-BD-16	16"	\$1,047.99
1834-BD-18	18"	\$1,253.60
1834-BD-20	20"	\$1,490.66
1834-BD-24	24"	\$2,069.21

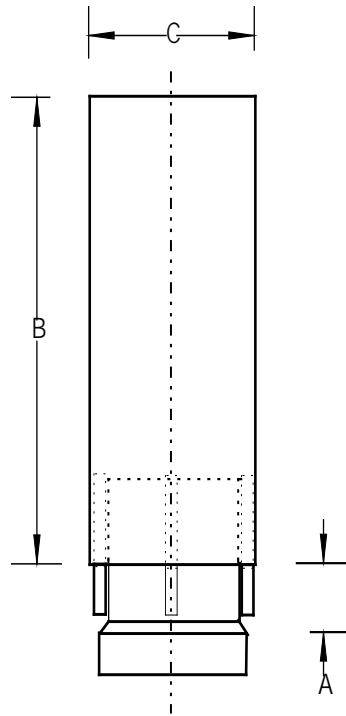
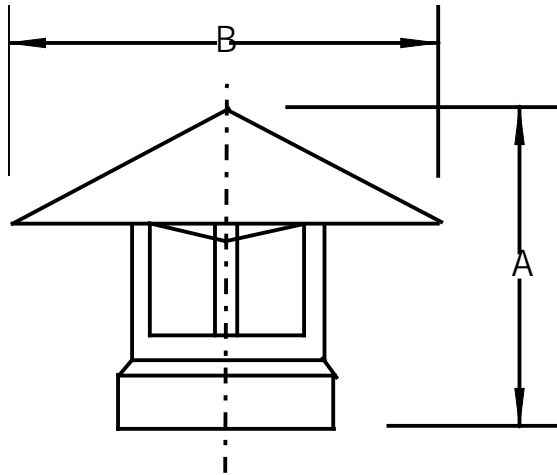
Blastgate		
Belled		
Part No.	Size	List Price
1834-BG-02	2"	\$ 313.67
1834-BG-03	3"	\$ 364.92
1834-BG-04	4"	\$ 395.22
1834-BG-06	6"	\$ 519.75
1034-BG-08	8"	\$ 642.15
1834-BG-10	10"	\$ 692.35
1834-BG-12	12"	\$ 830.30
1834-BG-14	14"	\$ 984.42
1834-BG-16	16"	\$ 1,164.43
1834-BG-18	18"	\$ 1,424.58
1834-BG-20	20"	\$ 2,224.80
1834-BG-24	24"	\$ 2,299.16



HARRISON MACHINE & PLASTIC CORPORATION

11614 ST. RT. 88 | GARRETTSVILLE, OH

Ph. 330.527.5641 | Fax 330.527.5640



Rain Cap (Style "A")		
Belled		
Part No.	Size	List Price
1834-WCA-02	2"	\$ 393.14
1834-WCA-03	3"	\$ 436.82
1834-WCA-04	4"	\$ 485.58
1834-WCA-06	6"	\$ 599.78
1834-WCA-08	8"	\$ 659.79
1834-WCA-10	10"	\$ 822.25
1834-WCA-12	12"	\$ 913.61
1834-WCA-14	14"	\$ 1,242.12
1834-WCA-16	16"	\$ 1,456.21
1834-WCA-18	18"	\$ 2,078.77
1834-WCA-20	20"	\$ 2,610.65
1834-WCA-24	24"	\$ 3,268.60

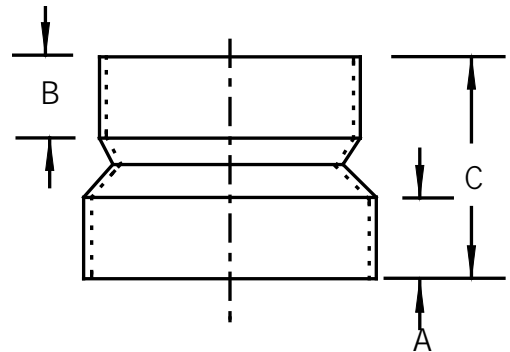
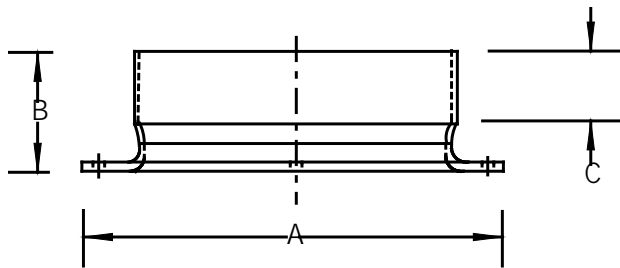
Rain Cap (Style "B")		
Zero Pressure Loss Feature		
Part No.	Size	List Price
1834-WCB-02	2"	\$ 450.99
1834-WCB-03	3"	\$ 490.23
1834-WCB-04	4"	\$ 544.76
1834-WCB-06	6"	\$ 637.25
1834-WCB-08	8"	\$ 707.91
1834-WCB-10	10"	\$ 890.89
1834-WCB-12	12"	\$ 999.40
1834-WCB-14	14"	\$1,803.88
1834-WCB-16	16"	\$3,122.05
1834-WCB-18	18"	\$4,035.53
1834-WCB-20	20"	\$4,579.01
1834-WCB-24	24"	\$7,169.11



HARRISON MACHINE & PLASTIC CORPORATION

11614 ST. RT. 88 | GARRETTSVILLE, OH

Ph. 330.527.5641 | Fax 330.527.5640



Flange		
Socket/Belled		
Part No.	Size	List Price
1834-SF-02	2"	\$ 85.45
1834-SF-03	3"	\$107.91
1834-SF-04	4"	\$130.96
1834-SF-06	6"	\$183.98
1834-SF-08	8"	\$212.54
1834-SF-10	10"	\$243.92
1834-SF-12	12"	\$269.28
1834-SF-14	14"	\$312.01
1834-SF-16	16"	\$382.62
1834-SF-18	18"	\$558.50
1834-SF-20	20"	\$581.29
1834-SF-24	24"	\$764.95

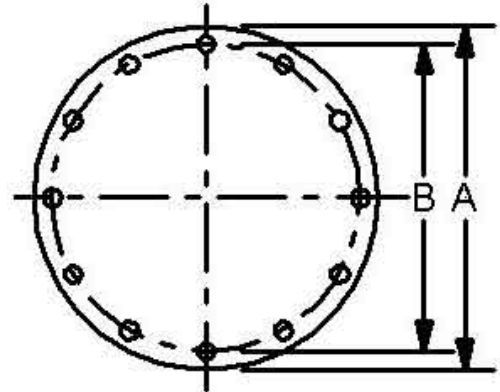
Duct Drilling, Not 150#

Reducer Coupling		
One Step Bell X Bell		
Part No.	Size	List Price
1834-RC-0403	4 x 3"	\$ 157.68
1834-RC-0604	6 x 4"	\$ 184.77
1834-RC-0806	8 x 6"	\$ 208.47
1834-RC-1008	10 x 8"	\$ 222.30
1834-RC-1210	12 x 10"	\$ 236.96
1834-RC-1412	14 x 12"	\$ 252.10
1834-RC-1614	16 x 14"	\$ 269.17
1834-RC-1816	18 x 16"	\$ 576.71



Blind Flange

Part No.	Size	List Price
1834-BF-02	2"	\$ 112.47
1834-BF-03	3"	\$ 130.41
1834-BF-04	4"	\$ 148.08
1834-BF-06	6"	\$ 160.75
1834-BF-08	8"	\$ 172.78
1834-BF-10	10"	\$ 202.36
1834-BF-12	12"	\$ 246.75
1834-BF-14	14"	\$ 296.09
1834-BF-16	16"	\$ 320.74
1834-BF-18	18"	\$ 357.74
1834-BF-20	20"	\$ 431.80
1834-BF-24	24"	\$ 518.27



All blind flanges are 3/16" thick.

All bolt holes are 5/16" diameter.



HARRISON MACHINE & PLASTIC CORPORATION

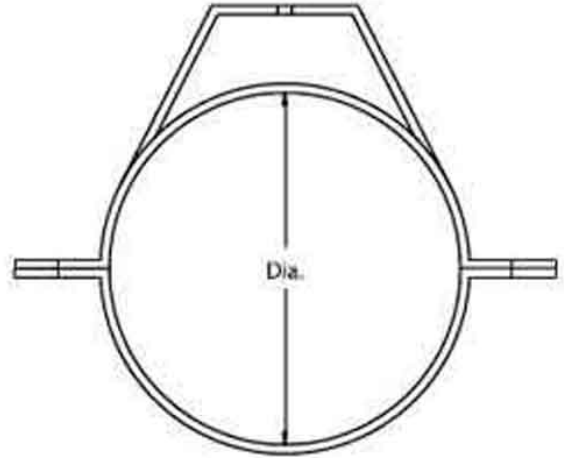
11614 ST. RT. 88 | GARRETTSVILLE, OH

Ph. 330.527.5641 | Fax 330.527.5640

Pipe Hangers

Stainless Steel Type 304

Part No.	Size	List price
PH-04	4"	\$ 197.97
PH-06	6"	\$ 201.32
PH-08	8"	\$ 204.67
PH-10	10"	\$ 208.03
PH-12	12"	\$ 211.39
PH-14	14"	\$ 218.10
PH-16	16"	\$ 224.80
PH-18	18"	\$ 228.16
PH-20	20"	\$ 231.52
PH-24	24"	\$ 238.23



Please Contact factory for prices on:

Sizes over 24" or otherwise not listed.



Roof Flashing		
EPDM		
Part No.	Size	List price
RF-05	4" - 8-1/4"	\$ 37.98
RF-06	4-3/4" - 8-1/4"	\$ 41.48
RF-07	5-1/2" - 11-1/2"	\$ 59.04
RF-08	6-3/4" - 13-1/2"	\$ 78.63
RF-09	9-1/2" - 20-1/2"	\$ 127.74
RF-10	12" - 28-1/2"	\$ 240.50

- Please contact the factory for items not shown in this catalog
- Virtually all reduction sizes are available in tees, wyes, elbows and reducer couplings
- All configurations are also available in plain end (spigot end) connections
- Pricing for Rear Exhaust (Single and Double) Hoods as well as Lateral (Single and Double) Hoods available on request
- All types of transitions (square to round, rectangular to round) with socket, spigot or flanged connections are available per customer specification