

Harrison Machine & Plastic Corporation



CORZAN® CPVC Fume Exhaust Systems

**CPVC DUCT FITTINGS & CPVC DUCT
PIPE**

LIST PRICE CATALOG

EFFECTIVE 01-01-2018



CORZAN® Key Industrial Fabricator

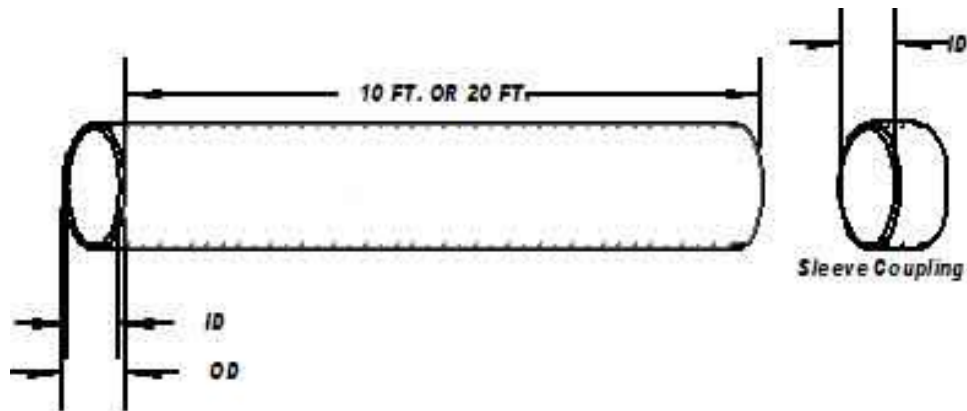
- Harrison is recognized for inclusion in the Corzan® Key Industrial Fabricator Program, in that we have completed a qualification process, whereby our welding processes meet established standards, which focus on weld strength (short term tensile strength), following the guidelines of ASTM C 1147
- Harrison CPVC duct systems are produced from a CPVC Corzan® material with unique physical properties offering higher impact strength and fire resistance capabilities, making Corzan® a desirable product for air handling duct systems
- CPVC has an upper temperature limit 200° F
- CPVC Is light weight, easy to install and is cost effective
- Extruded duct thru 24” diameter meets ULC S102.2 with a maximum flame spread rating of 5 or less and a maximum smoke generation of 25 or less
- Fittings thru 24” diameter are fabricated from extruded duct stock which meets the ULC S 102.2 requirement
- We offer a complete line of seamless duct and duct fittings from 2” thru 24” diameters
- Specializing in larger systems fabricated from rolled stock thru 60” in diameter
- Inventory maintained and manufactured at two Harrison facilities (Garrettsville, OH and Clover, SC)
- Square and rectangular components or systems are available per customer specifications



HARRISON MACHINE & PLASTIC CORPORATION

11614 ST. RT. 88 | GARRETTSVILLE, OH

Ph. 330.527.5641 | Fax 330.527.5640



Corzan® CPVC

Duct Pipe

Part No.	Size	O.D.	Wall	Std. Length	List Price Per	List Price
					Ft.	Per Ft.
					10 ft.	20 ft.
	Extruded					
1833-PP-02	2"	2.375"	0.154"	10 ft. or 20 ft.	\$ 10.98	\$ 10.43
1833-PP-03	3"	3.500"	0.216"	10 ft. or 20 ft.	\$ 22.65	\$ 21.54
1833-PP-04	4"	4.500"	0.237"	10 ft. or 20 ft.	\$ 36.58	\$ 32.29
1833-PP-06	6"	6.625"	0.187"	10 ft. or 20 ft.	\$ 42.85	\$ 40.72
1833-PP-08	8"	8.625"	0.187"	10 ft. or 20 ft.	\$ 72.80	\$ 69.19
1833-PP-10	10"	10.750"	0.187"	10 ft. or 20 ft.	\$109.39	\$ 103.98
1833-PP-12	12"	12.750"	0.187"	10 ft. or 20 ft.	\$130.17	\$ 123.63
1833-PP-14	14"	14.000"	0.187"	10 ft. or 20 ft.	\$160.16	\$ 152.19
1833-PP-16	16"	16.000"	0.187"	10 ft. or 20 ft.	\$183.21	\$ 174.06
1833-PP-18	18"	18.000"	0.187"	10 ft. or 20 ft.	\$221.41	\$ 210.35
1833-PP-20	20"	20.000"	0.219"	10 ft. or 20 ft.	\$267.12	\$ 253.78
1833-PP-24	24"	24.000"	0.250"	10 ft. or 20 ft.	\$366.13	\$ 347.81

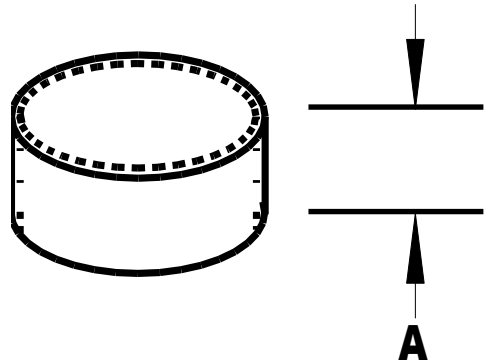
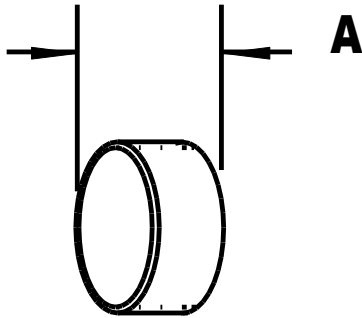
Duct diameters thru 60" are available. Contact factory for details.



HARRISON MACHINE & PLASTIC CORPORATION

11614 ST. RT. 88 | GARRETTSVILLE, OH

Ph. 330.527.5641 | Fax 330.527.5640



Coupling		
Sleeved		
Part No.	Size	List price
1834-CP-02	2"	\$ 77.05
1834-CP-03	3"	\$ 97.41
1834-CP-04	4"	\$ 110.13
1834-CP-06	6"	\$ 125.25
1834-CP-08	8"	\$ 143.93
1834-CP-10	10"	\$ 167.01
1834-CP-12	12"	\$ 190.02
1834-CP-14	14"	\$ 201.53
1834-CP-16	16"	\$ 224.54
1834-CP-18	18"	\$ 249.00
1834-CP-20	20"	\$ 263.36
1834-CP-24	24"	\$ 308.10

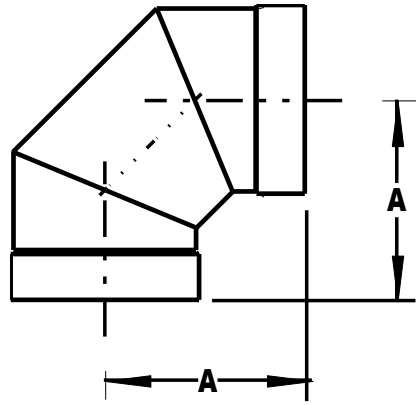
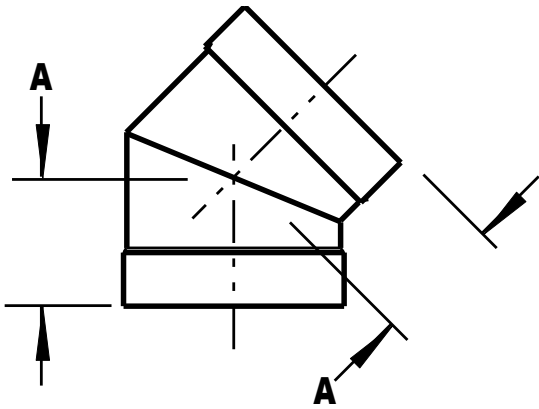
Cap		
Belled		
Part No.	Size	List Price
1834-CA-02	2"	\$148.43
1834-CA-03	3"	\$166.38
1834-CA-04	4"	\$188.67
1834-CA-06	6"	\$221.36
1834-CA-08	8"	\$250.75
1834-CA-10	10"	\$283.29
1834-CA-12	12"	\$320.67
1834-CA-14	14"	\$355.14
1834-CA-16	16"	\$435.92
1834-CA-18	18"	\$548.72
1834-CA-20	20"	\$574.86
1834-CA-24	24"	\$644.03



HARRISON MACHINE & PLASTIC CORPORATION

11614 ST. RT. 88 | GARRETTSVILLE, OH

Ph. 330.527.5641 | Fax 330.527.5640



45° Elbow		
Belled (2 piece)		
Part No.	Size	List Price
1834-45-02	2"	\$ 164.84
1834-45-03	3"	\$ 182.68
1834-45-04	4"	\$ 213.29
1834-45-06	6"	\$ 215.12
1834-45-08	8"	\$ 283.03
1834-45-10	10"	\$ 377.01
1834-45-12	12"	\$ 479.14
1834-45-14	14"	\$ 594.46
1834-45-16	16"	\$ 721.22
1834-45-18	18"	\$ 896.74
1834-45-20	20"	\$1,103.01
1834-45-24	24"	\$1,623.05

90° Elbow		
Belled (3 piece)		
Part No.	Size	List Price
1834-90-02	2"	\$ 213.82
1834-90-03	3"	\$ 231.65
1834-90-04	4"	\$ 269.11
1834-90-06	6"	\$ 297.26
1834-90-08	8"	\$ 423.15
1834-90-10	10"	\$ 600.97
1834-90-12	12"	\$ 698.52
1834-90-14	14"	\$ 890.78
1834-90-16	16"	\$ 1,099.40
1834-90-18	18"	\$ 1,395.48
1834-90-20	20"	\$ 1,755.52
1834-90-24	24"	\$ 2,658.96



HARRISON MACHINE & PLASTIC CORPORATION

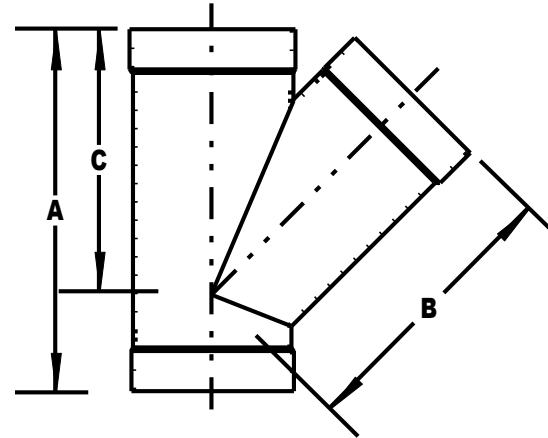
11614 ST. RT. 88 | GARRETTSVILLE, OH

Ph. 330.527.5641 | Fax 330.527.5640

45° Wye

Belled

Part No.	Size	List Price
1834-Y-06	6" x 6" x 6"	\$ 548.13
1834-Y-08	8" x 8" x 8"	\$ 738.56
1834-Y-10	10" x 10" x 10"	\$ 991.11
1834-Y-12	12" x 12" x 12"	\$ 1,206.82
1834-Y-14	14" x 14" x 14"	\$ 1,451.85
1834-Y-16	16" x 16" x 16"	\$ 1,713.20
1834-Y-18	18" x 18" x 18"	\$ 2,099.42
1834-Y-20	20" x 20" x 20"	\$ 2,561.45
1834-Y-24	24" x 24" x 24"	\$ 3,685.29

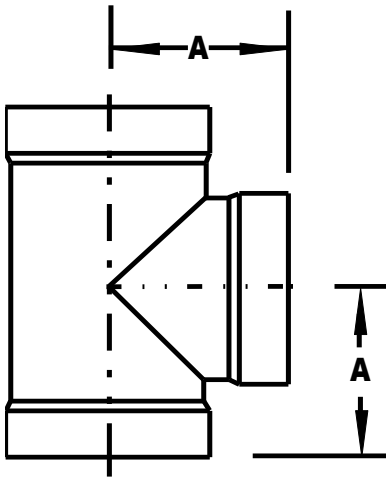




HARRISON MACHINE & PLASTIC CORPORATION

11614 ST. RT. 88 | GARRETTSVILLE, OH

Ph. 330.527.5641 | Fax 330.527.5640



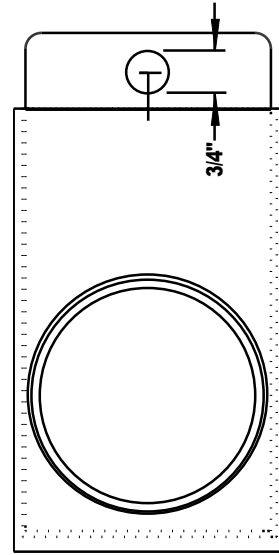
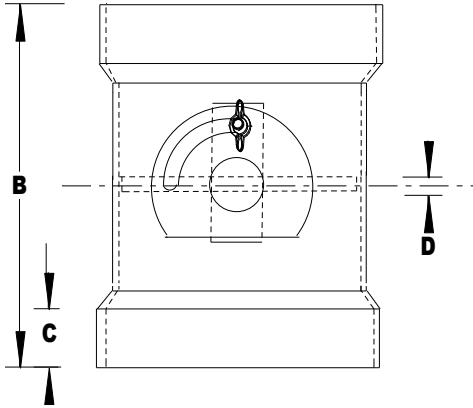
Tee		
Belled		
Part No.	Size	List Price
1834-T-02	2" x 2" x 2"	\$ 246.17
1834-T-03	3" x 3" x 3"	\$ 282.85
1834-T-04	4" x 4" x 4"	\$ 323.98
1834-T-06	6" x 6" x 6"	\$ 415.68
1834-T-0604	6" x 6" x 4"	\$ 337.22
1834-T-08	8" x 8" x 8"	\$ 612.94
1834-T-0806	8" x 8" x 6"	\$ 492.89
1834-T-10	10" x 10" x 10"	\$ 869.64
1834-T-1008	10" x 10" x 8"	\$ 709.78
1834-T-12	12" x 12" x 12"	\$ 1,078.85
1834-T-14	14" x 14" x 14"	\$ 1,317.45
1834-T-16	16" x 16" x 16"	\$ 1,559.77
1834-T-18	18" x 18" x 18"	\$ 1,914.98
1834-T-20	20" x 20" x 20"	\$ 2,334.86
1834-T-24	24" x 24" x 24"	\$ 3,330.38



HARRISON MACHINE & PLASTIC CORPORATION

11614 ST. RT. 88 | GARRETTSVILLE, OH

Ph. 330.527.5641 | Fax 330.527.5640



Butterfly Damper		
Belled		
Part No.	Size	List Price
1834-BD-02	2"	\$ 321.84
1834-BD-03	3"	\$ 332.36
1834-BD-04	4"	\$ 374.43
1834-BD-06	6"	\$ 437.64
1834-BD-08	8"	\$ 540.76
1834-BD-10	10"	\$ 677.74
1834-BD-12	12"	\$ 812.80
1834-BD-14	14"	\$ 942.94
1834-BD-16	16"	\$1,103.15
1834-BD-18	18"	\$1,317.58
1834-BD-20	20"	\$1,569.12
1834-BD-24	24"	\$2,178.12

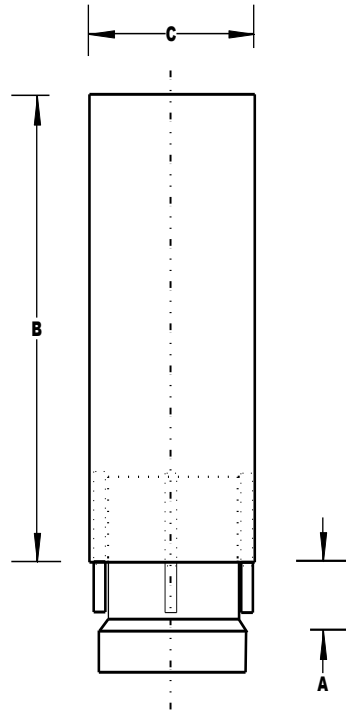
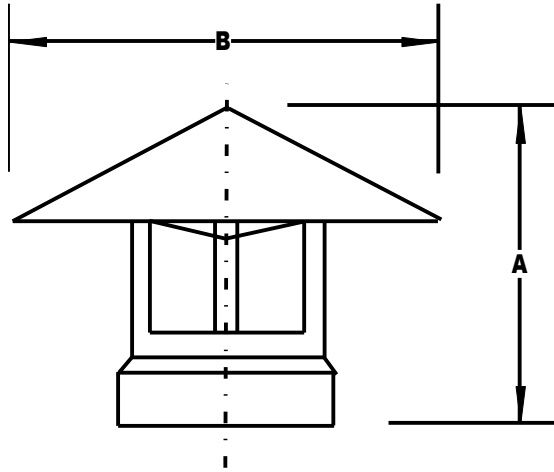
Blastgate		
Belled		
Part No.	Size	List Price
1834-BG-02	2"	\$ 330.18
1834-BG-03	3"	\$ 384.13
1834-BG-04	4"	\$ 416.02
1834-BG-06	6"	\$ 547.11
1034-BG-08	8"	\$ 675.95
1834-BG-10	10"	\$ 728.79
1834-BG-12	12"	\$ 874.00
1834-BG-14	14"	\$ 1,036.23
1834-BG-16	16"	\$ 1,225.72
1834-BG-18	18"	\$ 1,499.56
1834-BG-20	20"	\$ 2,341.89
1834-BG-24	24"	\$ 2,420.17



HARRISON MACHINE & PLASTIC CORPORATION

11614 ST. RT. 88 | GARRETTSVILLE, OH

Ph. 330.527.5641 | Fax 330.527.5640



Rain Cap (Style "A")		
Belled		
Part No.	Size	List Price
1834-WCA-02	2"	\$ 413.83
1834-WCA-03	3"	\$ 459.81
1834-WCA-04	4"	\$ 511.14
1834-WCA-06	6"	\$ 631.35
1834-WCA-08	8"	\$ 694.52
1834-WCA-10	10"	\$ 865.53
1834-WCA-12	12"	\$ 961.69
1834-WCA-14	14"	\$ 1,307.49
1834-WCA-16	16"	\$ 1,532.85
1834-WCA-18	18"	\$ 2,188.18
1834-WCA-20	20"	\$ 2,748.05
1834-WCA-24	24"	\$ 3,440.63

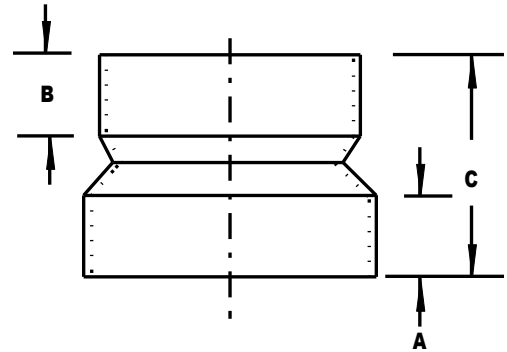
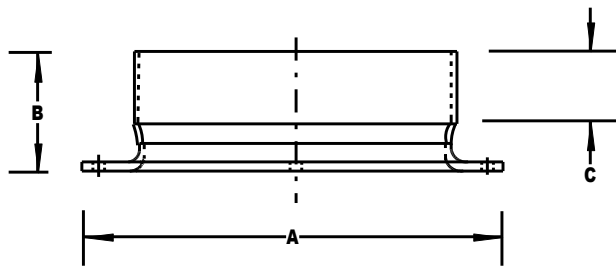
Rain Cap (Style "B")		
Zero Pressure Loss Feature		
Part No.	Size	List Price
1834-WCB-02	2"	\$ 474.73
1834-WCB-03	3"	\$ 516.03
1834-WCB-04	4"	\$ 573.43
1834-WCB-06	6"	\$ 670.79
1834-WCB-08	8"	\$ 745.17
1834-WCB-10	10"	\$ 937.78
1834-WCB-12	12"	\$1,052.00
1834-WCB-14	14"	\$1,898.83
1834-WCB-16	16"	\$3,286.37
1834-WCB-18	18"	\$4,247.93
1834-WCB-20	20"	\$4,820.01
1834-WCB-24	24"	\$7,546.43



HARRISON MACHINE & PLASTIC CORPORATION

11614 ST. RT. 88 | GARRETTSVILLE, OH

Ph. 330.527.5641 | Fax 330.527.5640



Flange		
Socket/Belled		
Part No.	Size	List Price
1834-SF-02	2"	\$ 89.95
1834-SF-03	3"	\$113.59
1834-SF-04	4"	\$137.85
1834-SF-06	6"	\$193.66
1834-SF-08	8"	\$223.73
1834-SF-10	10"	\$256.76
1834-SF-12	12"	\$283.45
1834-SF-14	14"	\$328.43
1834-SF-16	16"	\$402.76
1834-SF-18	18"	\$587.89
1834-SF-20	20"	\$611.88
1834-SF-24	24"	\$805.21

Duct Drilling, Not 150#

Reducer Coupling		
One Step Bell X Bell		
Part No.	Size	List Price
1834-RC-0403	4 x 3"	\$ 165.98
1834-RC-0604	6 x 4"	\$ 194.49
1834-RC-0806	8 x 6"	\$ 219.44
1834-RC-1008	10 x 8"	\$ 234.00
1834-RC-1210	12 x 10"	\$ 249.43
1834-RC-1412	14 x 12"	\$ 265.37
1834-RC-1614	16 x 14"	\$ 283.34
1834-RC-1816	18 x 16"	\$ 607.06



HARRISON MACHINE & PLASTIC CORPORATION

11614 ST. RT. 88 | GARRETTSVILLE, OH

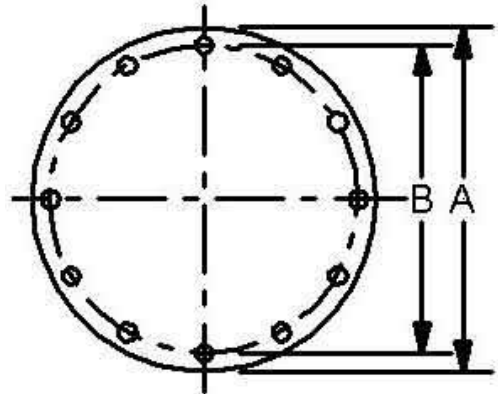
Ph. 330.527.5641 | Fax 330.527.5640

Blind Flange

Part No.	Size	List Price
1834-BF-02	2"	\$ 118.39
1834-BF-03	3"	\$ 137.27
1834-BF-04	4"	\$ 155.87
1834-BF-06	6"	\$ 169.21
1834-BF-08	8"	\$ 181.87
1834-BF-10	10"	\$ 213.01
1834-BF-12	12"	\$ 259.74
1834-BF-14	14"	\$ 311.67
1834-BF-16	16"	\$ 337.62
1834-BF-18	18"	\$ 376.57
1834-BF-20	20"	\$ 454.53
1834-BF-24	24"	\$ 545.55

All blind flanges are 3/16" thick.

All bolt holes are 5/16" diameter.





HARRISON MACHINE & PLASTIC CORPORATION

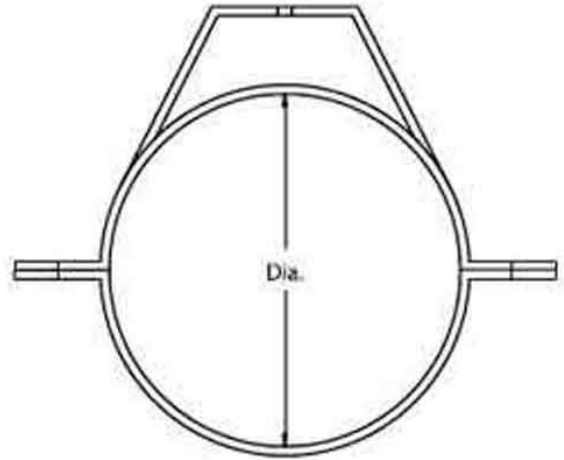
11614 ST. RT. 88 | GARRETTSVILLE, OH

Ph. 330.527.5641 | Fax 330.527.5640

Pipe Hangers

Stainless Steel Type 304

Part No.	Size	List price
PH-04	4"	\$ 208.39
PH-06	6"	\$ 211.92
PH-08	8"	\$ 215.44
PH-10	10"	\$ 218.98
PH-12	12"	\$ 222.52
PH-14	14"	\$ 229.58
PH-16	16"	\$ 236.63
PH-18	18"	\$ 240.17
PH-20	20"	\$ 243.71
PH-24	24"	\$ 250.77



Please Contact factory for prices on:

Sizes over 24" or otherwise not listed.



HARRISON MACHINE & PLASTIC CORPORATION

11614 ST. RT. 88 | GARRETTSVILLE, OH

Ph. 330.527.5641 | Fax 330.527.5640



Roof Flashing		
EPDM		
Part No.	Size	List price
RF-05	4" - 8-1/4"	\$ 39.98
RF-06	4-3/4" - 8-1/4"	\$ 43.66
RF-07	5-1/2" - 11-1/2"	\$ 62.15
RF-08	6-3/4" - 13-1/2"	\$ 82.77
RF-09	9-1/2" - 20-1/2"	\$ 134.46
RF-10	12" - 28-1/2"	\$ 253.16

- Please contact the factory for items not shown in this catalog
- Virtually all reduction sizes are available in tees, wyes, elbows and reducer couplings
- All configurations are also available in plain end (spigot end) connections
- Pricing for Rear Exhaust (Single and Double) Hoods as well as Lateral (Single and Double) Hoods available on request
- All types of transitions (square to round, rectangular to round) with socket, spigot or flanged connections are available per customer specification