

# **Harrison Machine & Plastic Corporation**



## **CORZAN® CPVC Fume Exhaust Systems**

**CPVC DUCT FITTINGS & CPVC DUCT  
PIPE**

**LIST PRICE CATALOG**

**EFFECTIVE 01-01-2020**



## **CORZAN® Key Industrial Fabricator**

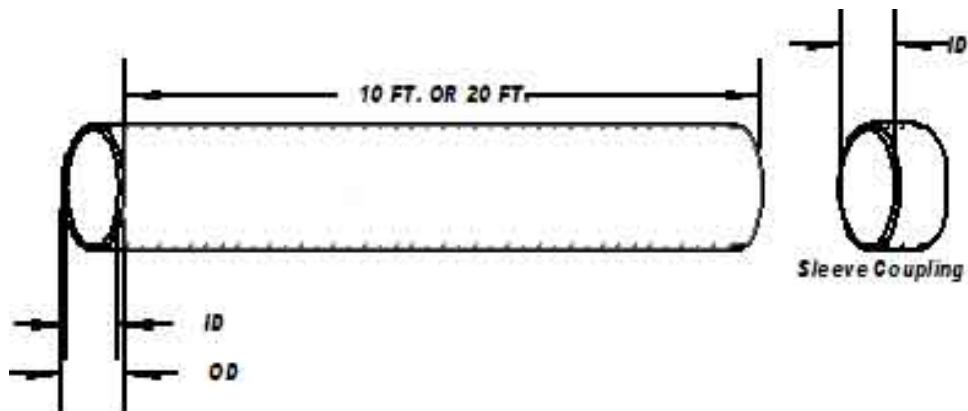
- Harrison is recognized for inclusion in the Corzan® Key Industrial Fabricator Program, in that we have completed a qualification process, whereby our welding processes meet established standards, which focus on weld strength (short term tensile strength), following the guidelines of ASTM C 1147
- Harrison CPVC duct systems are produced from a CPVC Corzan® material with unique physical properties offering higher impact strength and fire resistance capabilities, making Corzan® a desirable product for air handling duct systems
- CPVC has an upper temperature limit 200° F
- CPVC Is light weight, easy to install and is cost effective
- Extruded duct thru 24" diameter meets ULC S102.2 with a maximum flame spread rating of 5 or less and a maximum smoke generation of 25 or less
- Fittings thru 24" diameter are fabricated from extruded duct stock which meets the ULC S 102.2 requirement
- We offer a complete line of seamless duct and duct fittings from 2" thru 24" diameters
- Specializing in larger systems fabricated from rolled stock thru 60" in diameter
- Inventory maintained and manufactured at two Harrison facilities (Garrettsville, OH and Clover, SC)
- Square and rectangular components or systems are available per customer specifications



# HARRISON MACHINE & PLASTIC CORPORATION

11614 ST. RT. 88 | GARRETTSVILLE, OH

Ph. 330.527.5641 | Fax 330.527.5640



## Corzan® CPVC

### Duct Pipe

Part No.	Size	O.D.	Wall	Std. Length	List Price	List Price
					Per Ft.	Per Ft.
	<b>Extruded</b>				10 ft.	20 ft.
1833-PP-02	2"	2.375"	0.154"	10 ft. or 20 ft.	\$ 9.67	\$ 9.19
1833-PP-03	3"	3.500"	0.216"	10 ft. or 20 ft.	\$ 20.00	\$ 19.00
1833-PP-04	4"	4.500"	0.237"	10 ft. or 20 ft.	\$ 28.45	\$ 27.02
1833-PP-06	6"	6.625"	0.187"	10 ft. or 20 ft.	\$ 36.68	\$ 34.84
1833-PP-08	8"	8.625"	0.187"	10 ft. or 20 ft.	\$ 48.12	\$ 45.71
1833-PP-10	10"	10.750"	0.187"	10 ft. or 20 ft.	\$ 60.32	\$ 57.30
1833-PP-12	12"	12.750"	0.187"	10 ft. or 20 ft.	\$ 71.69	\$ 68.11
1833-PP-14	14"	14.000"	0.187"	10 ft. or 20 ft.	\$ 146.13	\$ 138.82
1833-PP-16	16"	16.000"	0.187"	10 ft. or 20 ft.	\$ 167.14	\$ 158.78
1833-PP-18	18"	18.000"	0.187"	10 ft. or 20 ft.	\$ 201.93	\$ 191.84
1833-PP-20	20"	20.000"	0.219"	10 ft. or 20 ft.	\$ 243.66	\$ 231.48
1833-PP-24	24"	24.000"	0.250"	10 ft. or 20 ft.	\$ 333.95	\$ 317.25

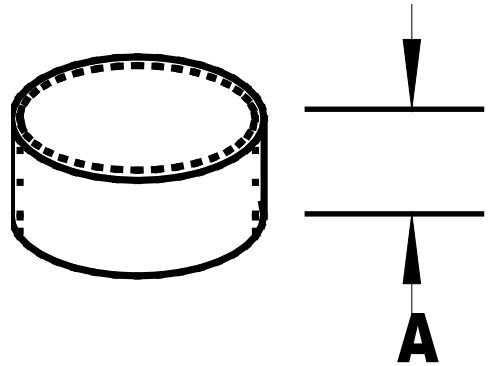
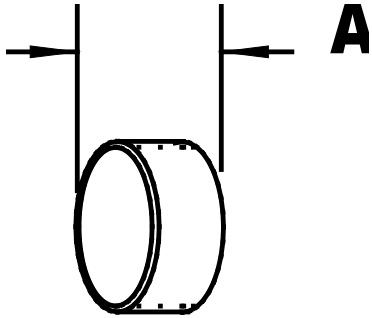
**Duct diameters thru 60" are available. Contact factory for details.**



**HARRISON MACHINE & PLASTIC CORPORATION**

11614 ST. RT. 88 | GARRETTSVILLE, OH

Ph. 330.527.5641 | Fax 330.527.5640



<b>Coupling</b>		
Sleeved		
Part No.	Size	List price
1834-CP-02	2"	\$ 85.38
1834-CP-03	3"	\$ 107.94
1834-CP-04	4"	\$ 122.03
1834-CP-06	6"	\$ 138.78
1834-CP-08	8"	\$ 159.48
1834-CP-10	10"	\$ 185.05
1834-CP-12	12"	\$ 210.55
1834-CP-14	14"	\$ 223.31
1834-CP-16	16"	\$ 248.80
1834-CP-18	18"	\$ 275.91
1834-CP-20	20"	\$ 291.81
1834-CP-24	24"	\$ 341.39

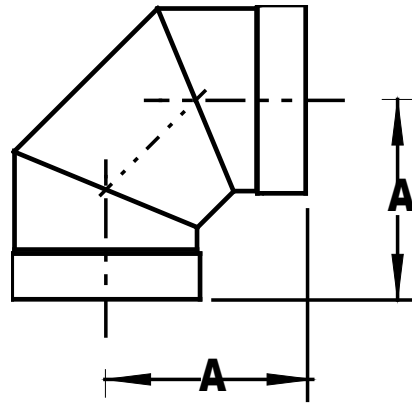
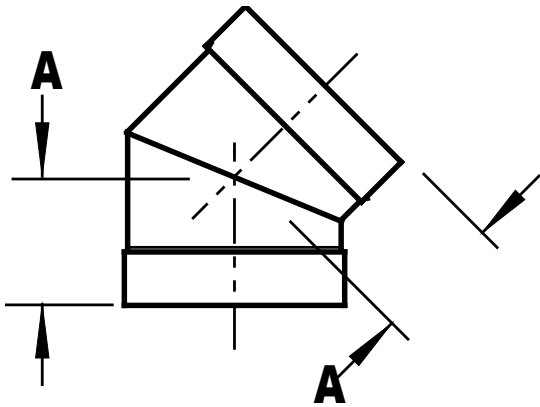
<b>Cap</b>		
Belled		
Part No.	Size	List Price
1834-CA-02	2"	\$ 164.46
1834-CA-03	3"	\$ 184.36
1834-CA-04	4"	\$ 209.05
1834-CA-06	6"	\$ 245.27
1834-CA-08	8"	\$ 277.84
1834-CA-10	10"	\$ 313.89
1834-CA-12	12"	\$ 355.32
1834-CA-14	14"	\$ 393.51
1834-CA-16	16"	\$ 483.01
1834-CA-18	18"	\$ 608.00
1834-CA-20	20"	\$ 636.97
1834-CA-24	24"	\$ 713.61



# HARRISON MACHINE & PLASTIC CORPORATION

11614 ST. RT. 88 | GARRETTSVILLE, OH

Ph. 330.527.5641 | Fax 330.527.5640



<b>45° Elbow</b>		
<b>Belled (2 piece)</b>		
<b>Part No.</b>	<b>Size</b>	<b>List Price</b>
1834-45-02	2"	\$ 173.52
1834-45-03	3"	\$ 192.29
1834-45-04	4"	\$ 224.51
1834-45-06	6"	\$ 226.44
1834-45-08	8"	\$ 297.93
1834-45-10	10"	\$ 396.85
1834-45-12	12"	\$ 504.36
1834-45-14	14"	\$ 625.75
1834-45-16	16"	\$ 759.18
1834-45-18	18"	\$ 943.94
1834-45-20	20"	\$ 1,161.06
1834-45-24	24"	\$ 1,708.47

<b>90° Elbow</b>		
<b>Belled (3 piece)</b>		
<b>Part No.</b>	<b>Size</b>	<b>List Price</b>
1834-90-02	2"	\$ 225.07
1834-90-03	3"	\$ 243.84
1834-90-04	4"	\$ 283.27
1834-90-06	6"	\$ 312.91
1834-90-08	8"	\$ 445.42
1834-90-10	10"	\$ 632.60
1834-90-12	12"	\$ 735.28
1834-90-14	14"	\$ 937.66
1834-90-16	16"	\$ 1,157.26
1834-90-18	18"	\$ 1,468.93
1834-90-20	20"	\$ 1,847.92
1834-90-24	24"	\$ 2,798.91

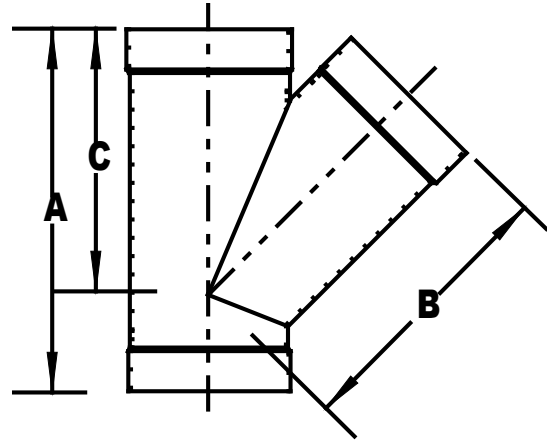


# HARRISON MACHINE & PLASTIC CORPORATION

11614 ST. RT. 88 | GARRETTSVILLE, OH

Ph. 330.527.5641 | Fax 330.527.5640

<b>45° Wye</b>		
<b>Belled</b>		
<b>Part No.</b>	<b>Size</b>	<b>List Price</b>
1834-Y-06	6" x 6" x 6"	\$ 576.98
1834-Y-08	8" x 8" x 8"	\$ 775.33
1834-Y-10	10" x 10" x 10"	\$ 1,043.27
1834-Y-12	12" x 12" x 12"	\$ 1,270.34
1834-Y-14	14" x 14" x 14"	\$ 1,528.26
1834-Y-16	16" x 16" x 16"	\$ 1,803.37
1834-Y-18	18" x 18" x 18"	\$ 2,209.92
1834-Y-20	20" x 20" x 20"	\$ 2,696.26
1834-Y-24	24" x 24" x 24"	\$ 3,879.25

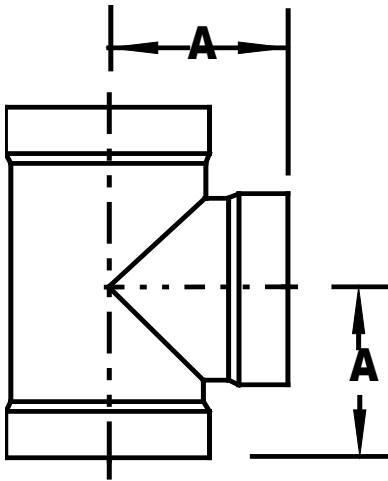




# HARRISON MACHINE & PLASTIC CORPORATION

11614 ST. RT. 88 | GARRETTSVILLE, OH

Ph. 330.527.5641 | Fax 330.527.5640



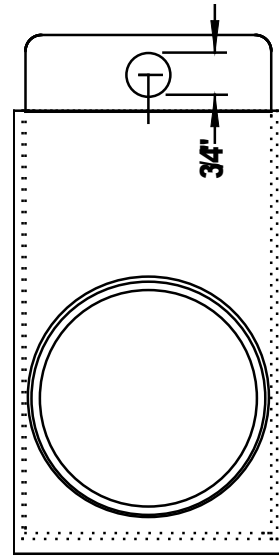
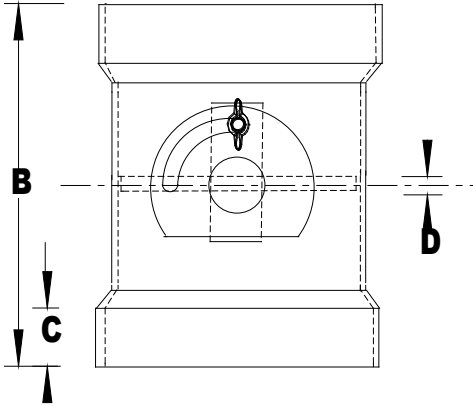
<b>Tee</b>		
<b>Belled</b>		
<b>Part No.</b>	<b>Size</b>	<b>List Price</b>
1834-T-02	2" x 2" x 2"	\$ 259.13
1834-T-03	3" x 3" x 3"	\$ 297.74
1834-T-04	4" x 4" x 4"	\$ 341.03
1834-T-06	6" x 6" x 6"	\$ 437.56
1834-T-0604	6" x 6" x 4"	\$ 354.97
1834-T-08	8" x 8" x 8"	\$ 645.20
1834-T-0806	8" x 8" x 6"	\$ 518.83
1834-T-10	10" x 10" x 10"	\$ 915.41
1834-T-1008	10" x 10" x 8"	\$ 747.14
1834-T-12	12" x 12" x 12"	\$ 1,135.63
1834-T-14	14" x 14" x 14"	\$ 1,386.79
1834-T-16	16" x 16" x 16"	\$ 1,641.86
1834-T-18	18" x 18" x 18"	\$ 2,017.87
1834-T-20	20" x 20" x 20"	\$ 2,457.75
1834-T-24	24" x 24" x 24"	\$ 3,505.66



# HARRISON MACHINE & PLASTIC CORPORATION

11614 ST. RT. 88 | GARRETTSVILLE, OH

Ph. 330.527.5641 | Fax 330.527.5640



<b>Butterfly Damper</b>		
<b>Belled</b>		
<b>Part No.</b>	<b>Size</b>	<b>List Price</b>
1834-BD-02	2"	\$ 338.78
1834-BD-03	3"	\$ 348.80
1834-BD-04	4"	\$ 394.14
1834-BD-06	6"	\$ 460.67
1834-BD-08	8"	\$ 569.22
1834-BD-10	10"	\$ 713.41
1834-BD-12	12"	\$ 855.58
1834-BD-14	14"	\$ 992.57
1834-BD-16	16"	\$ 161.21
1834-BD-18	18"	\$ 1,389.03
1834-BD-20	20"	\$ 1,651.71
1834-BD-24	24"	\$ 2,292.76

<b>Blastgate</b>		
<b>Belled</b>		
<b>Part No.</b>	<b>Size</b>	<b>List Price</b>
1834-BG-02	2"	\$ 347.56
1834-BG-03	3"	\$ 404.35
1834-BG-04	4"	\$ 437.92
1834-BG-06	6"	\$ 575.91
1034-BG-08	8"	\$ 711.53
1834-BG-10	10"	\$ 767.15
1834-BG-12	12"	\$ 920.00
1834-BG-14	14"	\$ 1,090.77
1834-BG-16	16"	\$ 1,290.23
1834-BG-18	18"	\$ 1,578.48
1834-BG-20	20"	\$ 2,465.15
1834-BG-24	24"	\$ 2,547.55

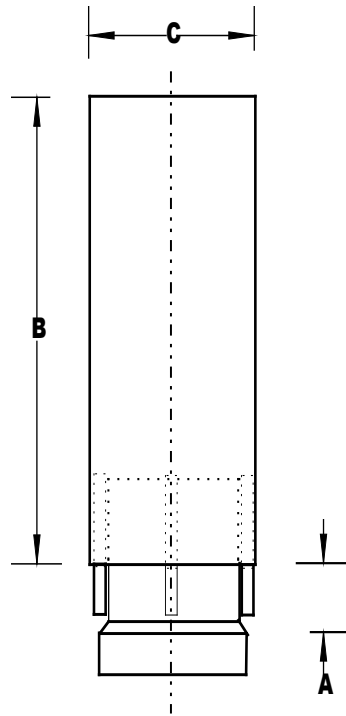
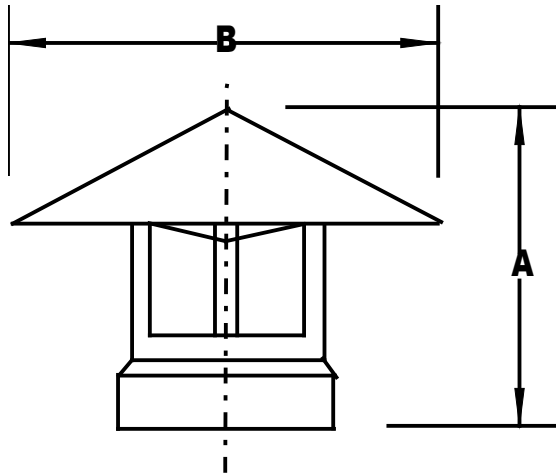




# HARRISON MACHINE & PLASTIC CORPORATION

11614 ST. RT. 88 | GARRETTSVILLE, OH

Ph. 330.527.5641 | Fax 330.527.5640



## Rain Cap (Style "A")

Belled

Part No.	Size	List Price
1834-WCA-02	2"	\$ 435.61
1834-WCA-03	3"	\$ 484.01
1834-WCA-04	4"	\$ 538.04
1834-WCA-06	6"	\$ 664.58
1834-WCA-08	8"	\$ 731.07
1834-WCA-10	10"	\$ 911.08
1834-WCA-12	12"	\$ 1,012.31
1834-WCA-14	14"	\$ 1,376.31
1834-WCA-16	16"	\$ 1,613.53
1834-WCA-18	18"	\$ 2,303.35
1834-WCA-20	20"	\$ 2,892.68
1834-WCA-24	24"	\$ 3,621.72

## Rain Cap (Style "B")

Zero Pressure Loss Feature

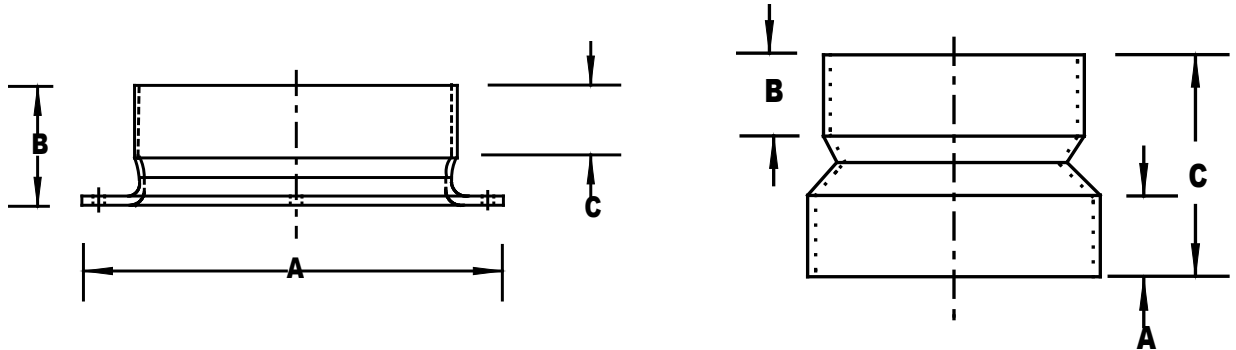
Part No.	Size	List Price
1834-WCB-02	2"	\$ 499.72
1834-WCB-03	3"	\$ 543.19
1834-WCB-04	4"	\$ 603.61
1834-WCB-06	6"	\$ 706.09
1834-WCB-08	8"	\$ 784.39
1834-WCB-10	10"	\$ 987.14
1834-WCB-12	12"	\$ 1,107.37
1834-WCB-14	14"	\$ 1,998.72
1834-WCB-16	16"	\$ 3,459.34
1834-WCB-18	18"	\$ 4,471.51
1834-WCB-20	20"	\$ 5,073.69
1834-WCB-24	24"	\$ 7,943.61



# HARRISON MACHINE & PLASTIC CORPORATION

11614 ST. RT. 88 | GARRETTSVILLE, OH

Ph. 330.527.5641 | Fax 330.527.5640



<b>Flange</b>		
Socket/Belled		
Part No.	Size	List Price
1834-SF-02	2"	\$ 94.68
1834-SF-03	3"	\$ 119.57
1834-SF-04	4"	\$ 145.11
1834-SF-06	6"	\$ 203.85
1834-SF-08	8"	\$ 235.51
1834-SF-10	10"	\$ 270.27
1834-SF-12	12"	\$ 298.37
1834-SF-14	14"	\$ 345.72
1834-SF-16	16"	\$ 423.96
1834-SF-18	18"	\$ 618.83
1834-SF-20	20"	\$ 644.08
1834-SF-24	24"	\$ 847.59

<b>Reducer Coupling</b>		
One Step Bell X Bell		
Part No.	Size	List Price
1834-RC-0403	4 x 3"	\$ 174.72
1834-RC-0604	6 x 4"	\$ 204.73
1834-RC-0806	8 x 6"	\$ 230.99
1834-RC-1008	10 x 8"	\$ 246.32
1834-RC-1210	12 x 10"	\$ 262.56
1834-RC-1412	14 x 12"	\$ 279.34
1834-RC-1614	16 x 14"	\$ 298.25
1834-RC-1816	18 x 16"	\$ 639.01

**Duct Drilling, Not 150#**



# HARRISON MACHINE & PLASTIC CORPORATION

11614 ST. RT. 88 | GARRETTSVILLE, OH

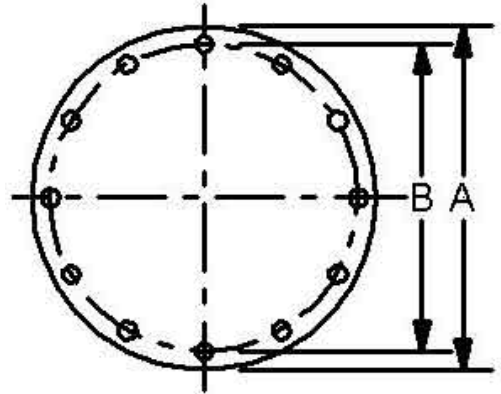
Ph. 330.527.5641 | Fax 330.527.5640

## *Blind Flange*

Part No.	Size	List Price
1834-BF-02	2"	\$ 124.62
1834-BF-03	3"	\$ 144.49
1834-BF-04	4"	\$ 164.07
1834-BF-06	6"	\$ 178.12
1834-BF-08	8"	\$ 191.44
1834-BF-10	10"	\$ 224.22
1834-BF-12	12"	\$ 273.41
1834-BF-14	14"	\$ 217.27
1834-BF-16	16"	\$ 355.39
1834-BF-18	18"	\$ 396.39
1834-BF-20	20"	\$ 478.45
1834-BF-24	24"	\$ 574.26

All blind flanges are 3/16" thick.

All bolt holes are 5/16" diameter.



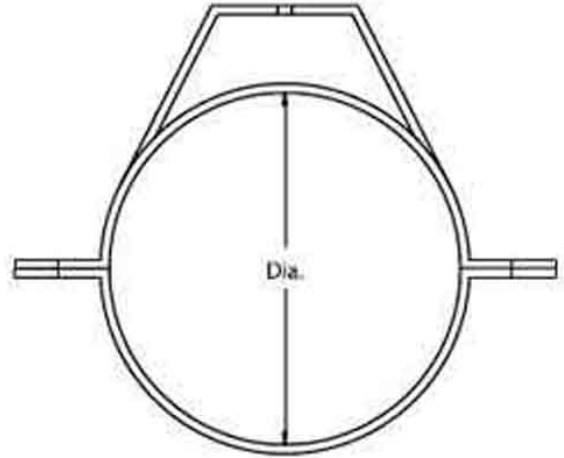


# HARRISON MACHINE & PLASTIC CORPORATION

11614 ST. RT. 88 | GARRETTSVILLE, OH

Ph. 330.527.5641 | Fax 330.527.5640

<b>Pipe Hangers</b>		
<b>Stainless Steel</b>		
<b>Part No.</b>	<b>Size</b>	<b>List price</b>
<b>PH-04</b>	<b>4"</b>	<b>\$ 110.76</b>
<b>PH-06</b>	<b>6"</b>	<b>\$ 117.88</b>
<b>PH-08</b>	<b>8"</b>	<b>\$ 119.08</b>
<b>PH-10</b>	<b>10"</b>	<b>\$ 111.89</b>
<b>PH-12</b>	<b>12"</b>	<b>\$ 129.17</b>
<b>PH-14</b>	<b>14"</b>	<b>\$ 183.88</b>
<b>PH-16</b>	<b>16"</b>	<b>\$ 185.40</b>
<b>PH-18</b>	<b>18"</b>	<b>\$ 166.17</b>
<b>PH-20</b>	<b>20"</b>	<b>\$ 173.93</b>
<b>PH-24</b>	<b>24"</b>	<b>\$ 188.99</b>



**Please Contact factory for prices on:**

**Sizes over 24" or otherwise not listed.**



## HARRISON MACHINE & PLASTIC CORPORATION

11614 ST. RT. 88 | GARRETTSVILLE, OH

Ph. 330.527.5641 | Fax 330.527.5640



<b>Roof Flashing</b>		
<b>EPDM</b>		
<b>Part No.</b>	<b>Size</b>	<b>List price</b>
<b>RF-05</b>	<b>4" - 8-1/4"</b>	<b>\$ 42.08</b>
<b>RF-06</b>	<b>4-3/4" - 8-1/4"</b>	<b>\$ 45.96</b>
<b>RF-07</b>	<b>5-1/2" - 11-1/2"</b>	<b>\$ 65.42</b>
<b>RF-08</b>	<b>6-3/4" - 13-1/2"</b>	<b>\$ 87.13</b>
<b>RF-09</b>	<b>9-1/2" - 20-1/2"</b>	<b>\$ 141.54</b>
<b>RF-10</b>	<b>12" - 28-1/2"</b>	<b>\$ 266.48</b>

- Please contact the factory for items not shown in this catalog
- Virtually all reduction sizes are available in tees, wyes, elbows and reducer couplings
- All configurations are also available in plain end (spigot end) connections
- Pricing for Rear Exhaust (Single and Double) Hoods as well as Lateral (Single and Double) Hoods available on request
- All types of transitions (square to round, rectangular to round) with socket, spigot or flanged connections are available per customer specification