



**HARRISON MACHINE & PLASTIC  
CORPORATION**

**PVC SUPERDUCT® PIPE**

**PVC SUPERDUCT®**

**FITTINGS**

**For Harrison Fume Exhaust Systems**

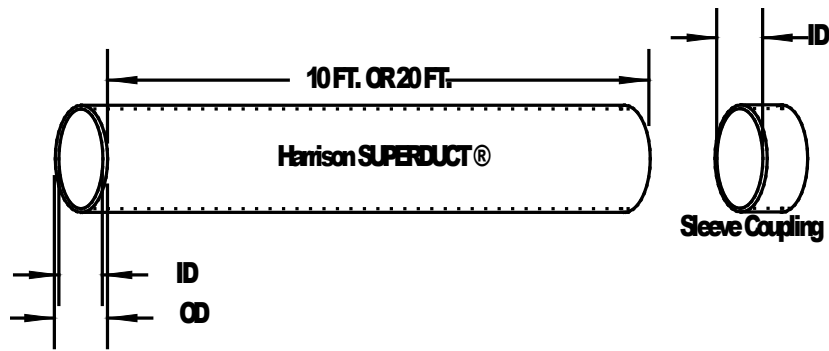
**Dimensions Catalog**



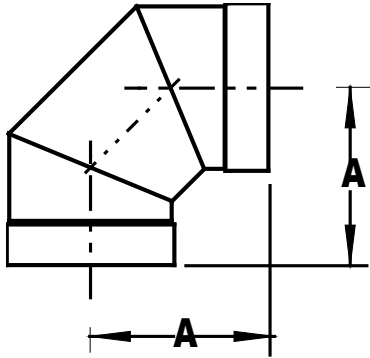
# Table of Contents

<u>Description</u>	<u>Page No.</u>
<b>SUPERDUCT® Pipe</b>	<b>3</b>
<b>Bell Dimensions</b>	<b>4</b>
<b>90° Elbow</b>	<b>4</b>
<b>45° Elbow</b>	<b>5</b>
<b>Coupling</b>	<b>5</b>
<b>Reducer Coupling</b>	<b>6</b>
<b>Cap</b>	<b>7</b>
<b>True Wye</b>	<b>7</b>
<b>45° Wye</b>	<b>8</b>
<b>Tee</b>	<b>9</b>
<b>Rainskirt</b>	<b>10</b>
<b>Rain Cap 'Style A'</b>	<b>10</b>
<b>Rain Cap 'Style B'</b>	<b>11</b>
<b>Blind Flange</b>	<b>12</b>
<b>Butterfly Damper</b>	<b>13</b>
<b>Socket Flange</b>	<b>14</b>
<b>Blastgate Damper</b>	<b>15</b>
<b>Flex Hose Adapter</b>	<b>16</b>
<b>Flexible Duct</b>	<b>17</b>
<b>Flexible Coupling</b>	<b>17</b>
<b>Hoods</b>	<b>18</b>
<b>Transitions</b>	<b>18</b>

Note: The dimensions shown on the following pages of this catalog are essentially shown as “Center to End” dimensions, which apply to both belled end as well as plain end fittings. To determine “take-out” dimensions for belled end fittings, refer to the bell depths below to make appropriate calculations. 2

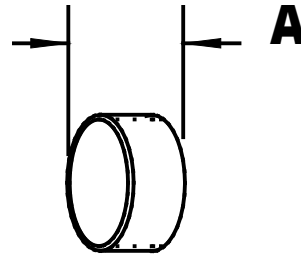
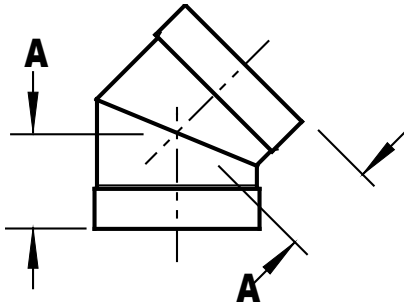


<b>SUPERDUCT® Pipe</b>						
<b>Part No.</b>	<b>Size</b>	<b>(O.D.)</b>	<b>(I.D.)</b>	<b>Wall</b>	<b>Wt/Ft.</b>	<b>Standard Length</b>
	<b>Extruded</b>					
1033-PP-02	2"	2.375"	2.047"	0.154"	0.720	10 ft. or 20 ft.
1033-PP-03	3"	3.500"	3.042"	0.216"	1.488	10 ft. or 20 ft.
1033-PP-04	4"	4.500"	3.998"	0.237"	2.118	10 ft. or 20 ft.
1033-PP-05	5"	5.563"	5.016"	0.258"	2.874	10 ft. or 20 ft.
1033-PP-06	6"	6.625"	6.250"	0.187"	2.340	10 ft. or 20 ft.
1033-PP-07	7"	7.375"	7.000"	0.187"	2.534	10 ft. or 20 ft.
1033-PP-08	8"	8.625"	8.250"	0.187"	3.060	10 ft. or 20 ft.
1033-PP-09	9"	9.375"	9.000"	0.187"	3.239	10 ft. or 20 ft.
1033-PP-10	10"	10.750"	10.380"	0.187"	3.830	10 ft. or 20 ft.
1033-PP-11	11"	11.375"	11.000"	0.187"	3.944	10 ft. or 20 ft.
1033-PP-12	12"	12.750"	12.380"	0.187"	4.560	10 ft. or 20 ft.
1033-PP-14	14"	14.000"	13.630"	0.187"	5.010	10 ft. or 20 ft.
1033-PP-16	16"	16.000"	15.630"	0.187"	5.740	10 ft. or 20 ft.
1033-PP-18	18"	18.000"	17.630"	0.187"	6.460	10 ft. or 20 ft.
1033-PP-20	20"	20.000"	19.500"	0.219"	9.580	10 ft. or 20 ft.
1033-PP-24	24"	24.000"	23.500"	0.250"	11.520	10 ft. or 20 ft.
	<b>Rolled</b>					
1033-PP-22	22"	22.000"	21.626"	0.187"	8.550	4 ft. w/ Coupling
1033-PP-26	26"	26.000"	25.626"	0.187"	10.070	4 ft. w/ Coupling
1033-PP-28	28"	28.000"	27.626"	0.187"	10.850	4 ft. w/ Coupling
1033-PP-30	30"	30.000"	29.626"	0.187"	11.640	4 ft. w/ Coupling
<b>Duct diameter thru 60" available. Contact factory for details.</b>						



<b>90° Elbow Belled (3 piece)</b>		
<b>Part No.</b>	<b>Size</b>	<b>A</b>
1034-90-02	2 "	7.243"
1034-90-03	3 "	9.578"
1034-90-04	4 "	10.031"
1034-90-05	5 "	10.415"
1034-90-06	6 "	10.934"
1034-90-07	7 "	11.245"
1034-90-08	8 "	11.911"
1034-90-09	9 "	12.320"
1034-90-10	10 "	15.089"
1034-90-11	11 "	15.435"
1034-90-12	12 "	16.038"
1034-90-14	14 "	16.642"
1034-90-16	16 "	18.257"
1034-90-18	18 "	19.314"
1034-90-20	20 "	22.030"
1034-90-24	24 "	24.142"

<b>Bell Dimensions</b>	
<b>Size</b>	<b>Socket Depth</b>
2 "	1.50"
3 "	1.75"
4 "	2.00"
5 "	2.00"
6 "	2.00"
7 "	2.25"
8 "	2.25"
9 "	2.25"
10 "	2.50"
11 "	2.50"
12 "	2.50"
14 "	2.50"
16 "	2.50"
18 "	2.50"
20 "	3.00"
24 "	3.00"



<b>45° Elbow Belled (2 piece)</b>		
<b>Part No.</b>	<b>Size</b>	<b>A</b>
1034-45-02	2 "	3.000 "
1034-45-03	3 "	4.750 "
1034-45-04	4 "	4.937 "
1034-45-05	5 "	5.156 "
1034-45-06	6 "	5.375 "
1034-45-07	7 "	5.500 "
1034-45-08	8 "	5.812 "
1034-45-09	9 "	6.000 "
1034-45-10	10 "	6.250 "
1034-45-11	11 "	6.375 "
1034-45-12	12 "	6.625 "
1034-45-14	14 "	6.875 "
1034-45-16	16 "	7.562 "
1034-45-18	18 "	8.000 "
1034-45-20	20 "	9.125 "
1034-45-24	24 "	10.000 "

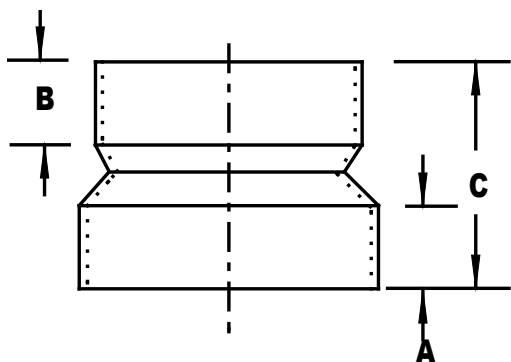
<b>Coupling Sleeved</b>		
<b>Part No.</b>	<b>Size</b>	<b>A</b>
1034-CP-02	2 "	4.000 "
1034-CP-03	3 "	4.000 "
1034-CP-04	4 "	4.000 "
1034-CP-05	5 "	4.500 "
1034-CP-06	6 "	4.500 "
1034-CP-07	7 "	4.500 "
1034-CP-08	8 "	4.500 "
1034-CP-09	9 "	4.500 "
1034-CP-10	10 "	4.500 "
1034-CP-11	11 "	4.500 "
1034-CP-12	12 "	4.500 "
1034-CP-14	14 "	4.500 "
1034-CP-16	16 "	4.500 "
1034-CP-18	18 "	4.500 "
1034-CP-20	20 "	4.500 "
1034-CP-24	24 "	4.500 "



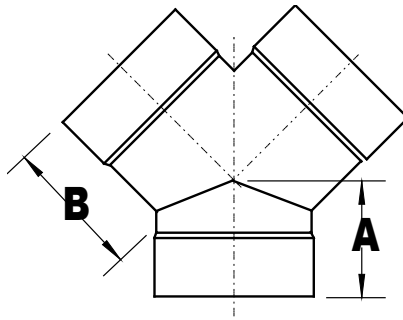
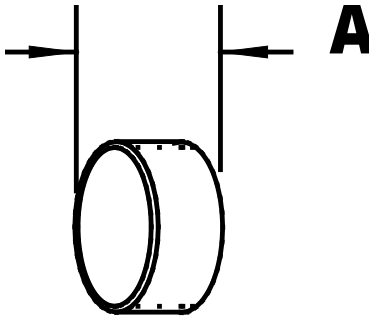
**HARRISON MACHINE & PLASTIC CORPORATION**

11614 ST. RT. 88 | GARRETTSVILLE, OH

Ph. 330.527.5641 | Fax 330.527.5640

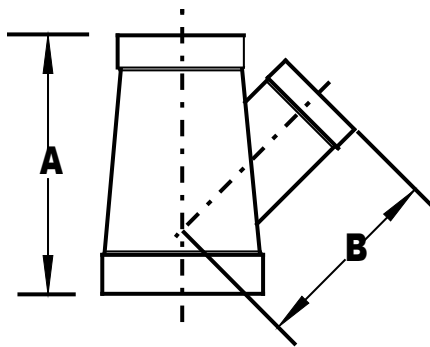
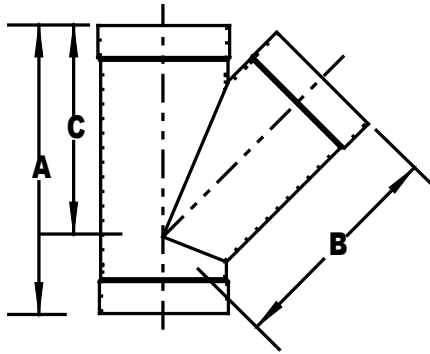


<b>Reducer Coupling</b>				
<b>One Step (Bell x Bell)</b>				
<b>Part No.</b>	<b>Size</b>	<b>A</b>	<b>B</b>	<b>C</b>
1034-RC-0403	4" x 3"	1.750 "	1.750 "	7.000 "
1034-RC-0604	6" x 4"	2.000 "	1.750 "	7.000 "
1034-RC-0806	8" x 6"	2.250 "	2.000 "	8.000 "
1034-RC-1008	10" x 8"	2.500 "	2.000 "	8.000 "
1034-RC-1210	12" x 10"	2.500 "	2.500 "	8.000 "
1034-RC-1412	14" x 12"	2.500 "	2.500 "	7.250 "
1034-RC-1614	16" x 14"	2.500 "	2.500 "	9.000 "
1034-RC-1816	18" x 16"	2.500 "	2.500 "	8.250 "
1034-RC-2018	20" x 18"	3.000 "	2.500 "	8.750 "
1034-RC-2420	24" x 20"	4.000 "	3.000 "	13.000 "
<b>Two Step (Bell x Bell)</b>				
1034-RC-0804	8" x 4"	2.250 "	1.750 "	12.500 "
1034-RC-1006	10" x 6"	2.500 "	2.000 "	12.750 "
1034-RC-1208	12" x 8"	2.500 "	2.250 "	13.250 "
1034-RC-1410	14" x 10"	2.500 "	2.500 "	12.500 "
1034-RC-1612	16" x 12"	2.500 "	2.500 "	13.500 "
1034-RC-1814	18" x 14"	2.500 "	2.500 "	14.500 "
1034-RC-2016	20" x 16"	3.000 "	2.500 "	13.750 "
1034-RC-2418	24" x 18"	4.000 "	2.500 "	18.000 "
Rolled reducer couplings also available				



Cap (Belled)		
Part No.	Size	A
1034-CA-02	2 "	2.000 "
1034-CA-03	3 "	2.000 "
1034-CA-04	4 "	2.000 "
1034-CA-05	5 "	2.000 "
1034-CA-06	6 "	2.000 "
1034-CA-07	7 "	2.000 "
1034-CA-08	8 "	2.000 "
1034-CA-09	9 "	2.000 "
1034-CA-10	10 "	2.000 "
1034-CA-11	11 "	2.000 "
1034-CA-12	12 "	2.000 "
1034-CA-14	14 "	2.000 "
1034-CA-16	16 "	2.000 "
1034-CA-18	18 "	2.000 "
1034-CA-20	20 "	2.000 "
1034-CA-24	24 "	2.000 "

True Wye Belled			
Part No.	Size	A	B
1034-TY-02	2 "	2.750 "	2.375 "
1034-TY-03	3 "	3.250 "	4.750 "
1034-TY-04	4 "	4.000 "	5.250 "
1034-TY-05	5 "	4.375 "	5.750 "
1034-TY-06	6 "	5.000 "	6.750 "
1034-TY-07	7 "	4.562 "	6.750 "
1034-TY-08	8 "	5.812 "	8.375 "
1034-TY-09	9 "	6.000 "	8.750 "
1034-TY-10	10 "	6.250 "	9.500 "
1034-TY-11	11 "	6.437 "	9.750 "
1034-TY-12	12 "	6.656 "	10.250 "
1034-TY-14	14 "	6.875 "	11.000 "
1034-TY-16	16 "	7.312 "	12.000 "
1034-TY-18	18 "	8.500 "	14.000 "
1034-TY-20	20 "	9.000 "	14.750 "
1034-TY-24	24 "	10.750 "	18.000 "

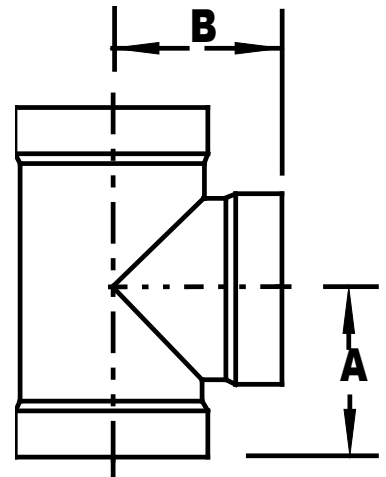


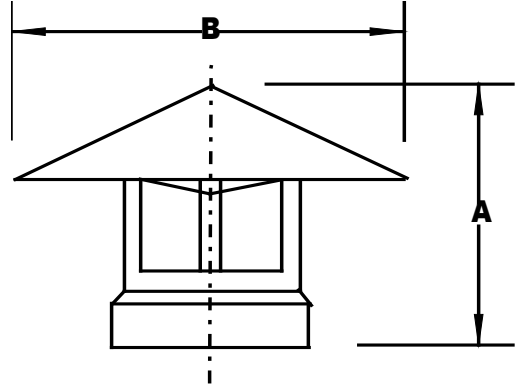
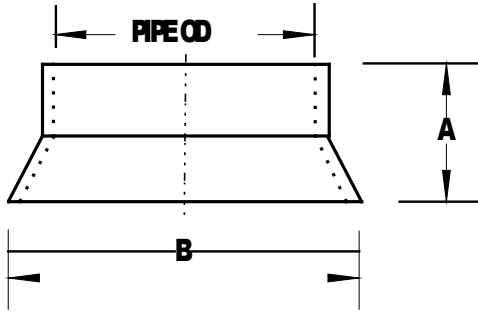
45° Wye Belled				
Part No.	Size	A	B	C
1034-Y-0604	6 X 6 X 4 "	15.875 "	10.750 "	11.750 "
1034-Y-06	6 X 6 X 6 "	18.875 "	13.250 "	13.250 "
1034-Y-07	7 X 7 X 7 "	20.375 "	14.375 "	14.375 "
1034-Y-0804	8 X 8 X 4 "	16.375 "	12.250 "	13.062 "
1034-Y-0806	8 X 8 X 6 "	19.375 "	13.312 "	14.500 "
1034-Y-08	8 X 8 X 8 "	22.187 "	15.875 "	15.875 "
1034-Y-09	9 X 9 X 9 "	23.375 "	16.875 "	16.875 "
1034-Y-1006	10 X 10 X 6 "	20.375 "	15.312 "	16.250 "
1034-Y-1008	10 X 10 X 8 "	23.187 "	16.312 "	17.750 "
1034-Y-10	10 X 10 X 10 "	26.250 "	19.312 "	19.312 "
1034-Y-11	11 X 11 X 11 "	27.250 "	20.000 "	20.000 "
1034-Y-1208	12 X 12 X 8 "	23.312 "	17.750 "	18.750 "
1034-Y-1210	12 X 12 X 10 "	26.375 "	18.750 "	20.250 "
1034-Y-12	12 X 12 X 12 "	29.250 "	21.687 "	21.687 "
1034-Y-1410	14 X 14 X 10 "	26.250 "	19.625 "	20.875 "
1034-Y-1412	14 X 14 X 12 "	29.000 "	20.750 "	22.250 "
1034-Y-14	14 X 14 X 14 "	30.750 "	23.125 "	23.125 "
1034-Y-1612	16 X 16 X 12 "	29.000 "	22.125 "	23.375 "
1034-Y-1614	16 X 16 X 14 "	30.750 "	22.750 "	24.250 "
1034-Y-16	16 X 16 X 16 "	33.625 "	25.625 "	25.625 "
1034-Y-1814	18 X 18 X 14 "	31.250 "	24.250 "	25.375 "
1034-Y-1816	18 X 18 X 16 "	34.125 "	25.375 "	26.875 "
1034-Y-18	18 X 18 X 18 "	37.000 "	28.250 "	28.250 "
1034-Y-20	20 X 20 X 20 "	40.750 "	31.125 "	31.125 "
1034-Y-2418	24 X 24 X 18 "	38.000 "	30.750 "	31.750 "
1034-Y-24	24 X 24 X 24 "	46.500 "	36.000 "	36.000 "





<b>Tee Belled</b>			
<b>Part No.</b>	<b>Size</b>	<b>A</b>	<b>B</b>
1034-T-0604	6 x 6 x 4 "	7.312 "	6.500 "
1034-T-06	6 x 6 x 6 "	7.562 "	7.562 "
1034-T-07	7 x 7 x 7 "	8.187 "	8.187 "
1034-T-0804	8 x 8 x 4 "	8.312 "	6.750 "
1034-T-0806	8 x 8 x 6 "	8.562 "	7.812 "
1034-T-08	8 x 8 x 8 "	8.812 "	8.812 "
1034-T-09	9 x 9 x 9 "	9.187 "	9.187 "
1034-T-1006	10 x 10 x 6 "	9.625 "	8.062 "
1034-T-1008	10 x 10 x 8 "	9.875 "	9.062 "
1034-T-10	10 x 10 x 10 "	10.125 "	10.125 "
1034-T-11	11 x 11 x 11 "	10.437 "	10.437 "
1034-T-1206	12 x 12 x 6 "	10.625 "	8.062 "
1034-T-1208	12 x 12 x 8 "	10.875 "	9.062 "
1034-T-1210	12 x 12 x 10 "	11.125 "	10.125 "
1034-T-12	12 x 12 x 12 "	11.125 "	11.125 "
1034-T-1410	14 x 14 x 10 "	11.750 "	10.125 "
1034-T-1412	14 x 14 x 12 "	11.750 "	11.125 "
1034-T-14	14 x 14 x 14 "	11.750 "	11.750 "
1034-T-1612	16 x 16 x 12 "	12.750 "	11.125 "
1034-T-1614	16 x 16 x 14 "	12.750 "	11.750 "
1034-T-16	16 x 16 x 16 "	12.750 "	12.750 "
1034-T-1814	18 x 18 x 14 "	13.750 "	12.000 "
1034-T-1816	18 x 18 x 16 "	13.750 "	13.000 "
1034-T-18	18 x 18 x 18 "	14.000 "	14.000 "
1034-T-20	20 x 20 x 20 "	15.500 "	15.500 "
1034-T-2418	24 x 24 x 18 "	17.000 "	14.500 "
1034-T-24	24 x 24 x 24 "	17.500 "	17.500 "



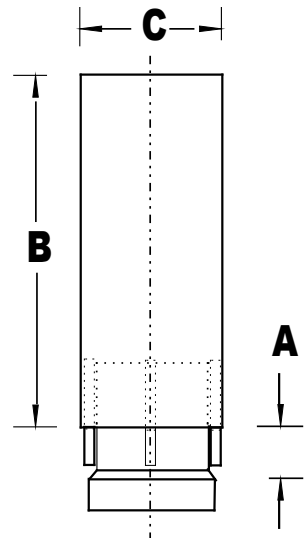


<b>Rainskirt</b>			
<b>Belled</b>			
<b>Part No.</b>	<b>Size</b>	<b>A</b>	<b>B</b>
1034-RS-02	2 "	2.250 "	4.500 "
1034-RS-03	3 "	2.625 "	5.500 "
1034-RS-04	4 "	4.000 "	6.875 "
1034-RS-05	5 "	4.000 "	8.000 "
1034-RS-06	6 "	4.000 "	8.875 "
1034-RS-07	7 "	4.000 "	10.250 "
1034-RS-08	8 "	4.000 "	11.375 "
1034-RS-09	9 "	4.000 "	12.250 "
1034-RS-10	10 "	4.000 "	13.625 "
1034-RS-11	11 "	4.000 "	14.000 "
1034-RS-12	12 "	4.000 "	16.250 "
1034-RS-14	14 "	4.000 "	17.000 "
1034-RS-16	16 "	4.000 "	19.000 "
1034-RS-18	18 "	6.000 "	22.000 "
1034-RS-20	20 "	6.000 "	23.625 "
1034-RS-24	24 "	8.000 "	27.000 "

<b>Raincap 'Style A'</b>			
<b>Belled</b>			
<b>Part No.</b>	<b>Size</b>	<b>A</b>	<b>B</b>
1034-WCA-02	2 "	8.000 "	4.000 "
1034-WCA-03	3 "	8.500 "	6.000 "
1034-WCA-04	4 "	9.000 "	8.000 "
1034-WCA-05	5 "	9.500 "	10.000 "
1034-WCA-06	6 "	10.500 "	12.000 "
1034-WCA-07	7 "	11.000 "	14.000 "
1034-WCA-08	8 "	12.250 "	16.000 "
1034-WCA-09	9 "	13.000 "	18.000 "
1034-WCA-10	10 "	13.500 "	20.000 "
1034-WCA-11	11 "	14.000 "	22.000 "
1034-WCA-12	12 "	15.250 "	23.000 "
1034-WCA-14	14 "	16.000 "	28.000 "
1034-WCA-16	16 "	16.750 "	32.000 "
1034-WCA-18	18 "	17.500 "	36.000 "
1034-WCA-20	20 "	18.500 "	40.000 "
1034-WCA-24	24 "	19.000 "	44.000 "

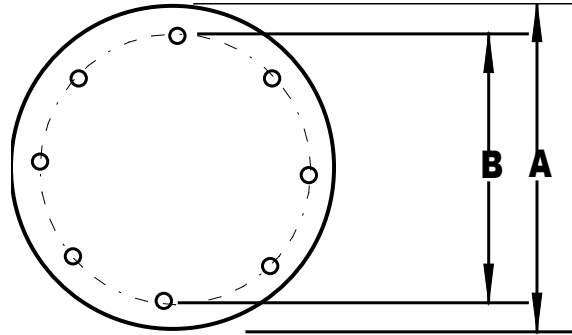


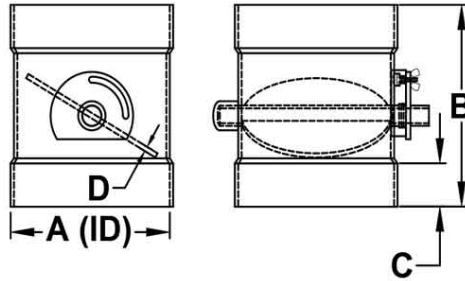
<b>Raincap 'Style B'</b>				
<b>Belled</b>				
<b>Part No.</b>	<b>Size</b>	<b>A</b>	<b>B</b>	<b>C</b>
1034-WCB-02	2 "	6.000 "	8.000 "	3.500 "
1034-WCB-03	3 "	6.000 "	12.000 "	4.500 "
1034-WCB-04	4 "	6.000 "	16.000 "	6.625 "
1034-WCB-05	5 "	8.000 "	18.000 "	7.375 "
1034-WCB-06	6 "	8.000 "	24.000 "	8.625 "
1034-WCB-07	7 "	8.000 "	28.000 "	9.375 "
1034-WCB-08	8 "	8.000 "	32.000 "	10.750 "
1034-WCB-09	9 "	8.000 "	36.000 "	11.375 "
1034-WCB-10	10 "	8.000 "	40.000 "	12.750 "
1034-WCB-11	11 "	8.000 "	44.000 "	12.750 "
1034-WCB-12	12 "	8.000 "	48.000 "	14.000 "
1034-WCB-14	14 "	8.000 "	56.000 "	16.000 "
1034-WCB-16	16 "	8.000 "	64.000 "	18.000 "
1034-WCB-18	18 "	10.000 "	72.000 "	20.000 "
1034-WCB-20	20 "	10.000 "	80.000 "	22.000 "
1034-WCB-24	24 "	12.000 "	96.000 "	26.000 "
Zero pressure loss feature				





<b>Blind Flange</b>				
				<b># Bolt</b>
<b>Part No.</b>	<b>Size</b>	<b>A</b>	<b>B</b>	<b>Holes</b>
1034-BF-02	2 "	6.000 "	5.000 "	4
1034-BF-03	3 "	7.500 "	6.000 "	4
1034-BF-04	4 "	8.000 "	6.500 "	6
1034-BF-05	5 "	9.000 "	7.500 "	8
1034-BF-06	6 "	10.000 "	8.500 "	8
1034-BF-07	7 "	11.000 "	9.500 "	8
1034-BF-08	8 "	12.000 "	10.500 "	10
1034-BF-09	9 "	13.000 "	11.500 "	10
1034-BF-10	10 "	14.000 "	12.500 "	12
1034-BF-11	11 "	15.000 "	13.500 "	12
1034-BF-12	12 "	16.000 "	14.500 "	14
1034-BF-14	14 "	18.000 "	16.500 "	16
1034-BF-16	16 "	20.000 "	18.500 "	18
1034-BF-18	18 "	22.000 "	20.500 "	20
1034-BF-20	20 "	24.000 "	22.500 "	22
1034-BF-24	24 "	28.000 "	26.500 "	24
All flanges are 3/16" thick material				
All bolt holes are 5/16" diameter				

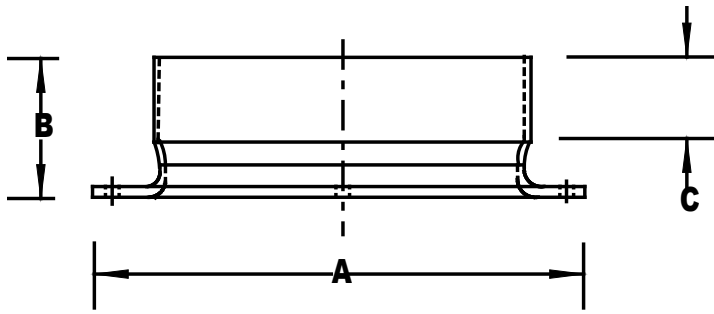




**Features and Benefits**

- \*Materials of Construction:  
Body, damper plate & shaft:  
PVC, CPVC, PP, HDPE
- \*Locking hardware: stainless steel
- \*Allows for less than 5% air-flow restriction
- \*Offers an approximate 95% seal
- \*Optional positive seal shaft & damper plate
- \*90° damper plate operation
- \*Can be installed vertically or horizontally
- \*Sizes Offered: 2" thru 24" including 3", 5", 7", 9", 11"
- \*Available with belled, socket, flanged, or spigot ends
- \*Optional electric motor actuated
- \*All plastic internal parts
- \*Furnished with locking quadrant damper allowing for permanent position set

Butterfly Damper					
Belled					
Part No.	Size	A	B	C	D
1034-BD-02	2 "	2.375 "	6.750 "	1.500 "	.187 "
1034-BD-03	3 "	3.500 "	8.750 "	1.750 "	.187 "
1034-BD-04	4 "	4.500 "	9.500 "	2.000 "	.187 "
1034-BD-05	5 "	5.563 "	9.500 "	2.000 "	.187 "
1034-BD-06	6 "	6.625 "	9.500 "	2.000 "	.187 "
1034-BD-07	7 "	7.375 "	9.500 "	2.250 "	.187 "
1034-BD-08	8 "	8.625 "	10.500 "	2.250 "	.187 "
1034-BD-09	9 "	9.375 "	10.500 "	2.250 "	.187 "
1034-BD-10	10 "	10.750 "	11.750 "	2.500 "	.187 "
1034-BD-11	11 "	11.375 "	11.750 "	2.500 "	.187 "
1034-BD-12	12 "	12.750 "	12.750 "	2.500 "	.187 "
1034-BD-14	14 "	14.000 "	13.750 "	2.500 "	.187 "
1034-BD-16	16 "	16.000 "	15.750 "	2.500 "	.187 "
1034-BD-18	18 "	18.000 "	17.750 "	2.500 "	.250 "
1034-BD-20	20 "	20.000 "	19.750 "	3.000 "	.250 "
1034-BD-24	24 "	24.000 "	23.750 "	3.000 "	.250 "



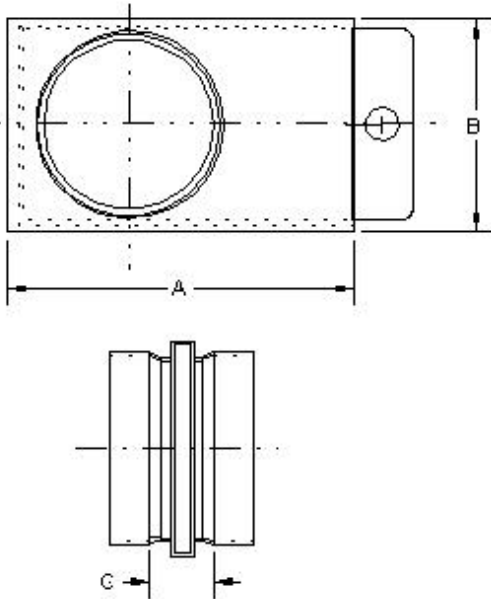
Flange Socket/Belled						
Part No.	Size	A	B	C	Bolt Circle	# Bolt Holes
1034-SF-02	2 "	6.000 "	2.750 "	1.500 "	5.000 "	4
1034-SF-03	3 "	6.625 "	3.250 "	1.750 "	5.625 "	4
1034-SF-04	4 "	8.000 "	3.625 "	2.000 "	6.500 "	6
1034-SF-05	5 "	9.000 "	4.000 "	2.000 "	7.500 "	8
1034-SF-06	6 "	10.000 "	4.000 "	2.000 "	8.500 "	8
1034-SF-07	7 "	11.000 "	4.000 "	2.250 "	9.500 "	8
1034-SF-08	8 "	12.000 "	4.000 "	2.250 "	10.500 "	10
1034-SF-09	9 "	13.000 "	4.000 "	2.250 "	11.500 "	10
1034-SF-10	10 "	14.000 "	4.000 "	2.500 "	12.500 "	12
1034-SF-11	11 "	15.000 "	4.000 "	2.500 "	13.500 "	12
1034-SF-12	12 "	16.000 "	4.000 "	2.500 "	14.500 "	14
1034-SF-14	14 "	18.000 "	4.000 "	2.500 "	16.500 "	16
1034-SF-16	16 "	20.000 "	4.000 "	2.500 "	18.500 "	18
1034-SF-18	18 "	22.000 "	4.000 "	2.500 "	20.500 "	20
1034-SF-20	20 "	24.000 "	4.000 "	3.000 "	22.500 "	22
1034-SF-24	24 "	28.000 "	4.000 "	3.000 "	26.500 "	24
All flanges are 3/16" thick material						
All bolt holes are 5/16" diameter						

Note: Undrilled flanges also available

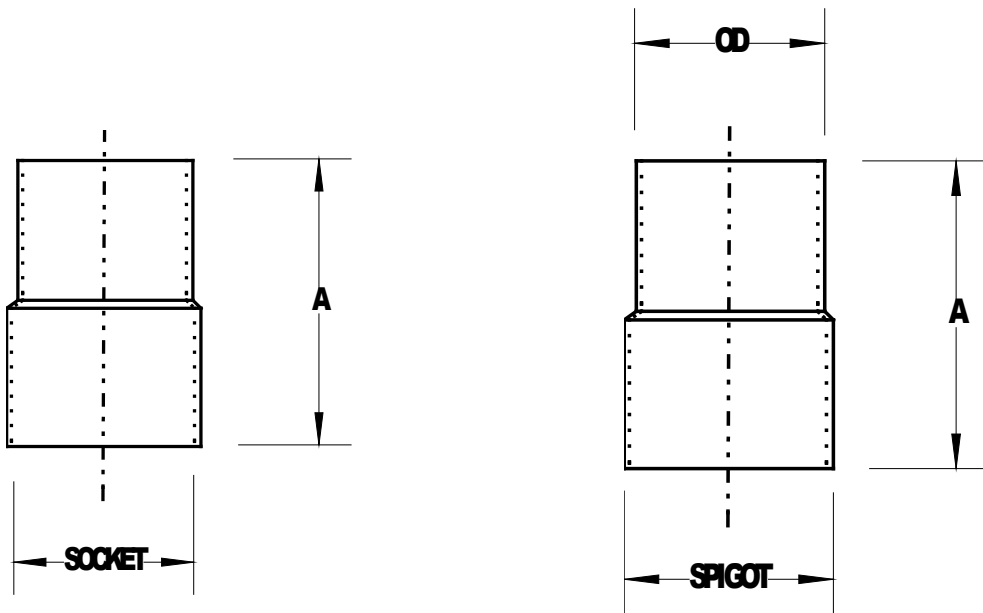
Flanges with 150# drilling available on a custom basis



<b>Blastgate</b>				
<b>Belled</b>				
<b>Part No.</b>	<b>Size</b>	<b>A</b>	<b>B</b>	<b>C</b>
1034-BG-02	2 "	6.000 "	3.750 "	1.000 "
1034-BG-03	3 "	7.000 "	4.880 "	3.250 "
1034-BG-04	4 "	8.000 "	5.560 "	3.250 "
1034-BG-05	5 "	11.000 "	8.880 "	5.000 "
1034-BG-06	6 "	11.000 "	8.880 "	5.000 "
1034-BG-07	7 "	11.000 "	8.880 "	5.000 "
1034-BG-08	8 "	14.000 "	10.250 "	4.000 "
1034-BG-09	9 "	14.000 "	10.250 "	4.000 "
1034-BG-10	10 "	17.000 "	12.380 "	4.500 "
1034-BG-11	11 "	20.000 "	12.380 "	4.500 "
1034-BG-12	12 "	20.000 "	13.880 "	4.500 "
1034-BG-14	14 "	21.750 "	15.500 "	4.500 "
1034-BG-16	16 "	23.000 "	17.500 "	4.250 "
1034-BG-18	18 "	28.000 "	19.500 "	4.250 "
1034-BG-20	20 "	30.750 "	21.500 "	5.750 "
1034-BG-24	24 "	34.000 "	25.500 "	5.750 "



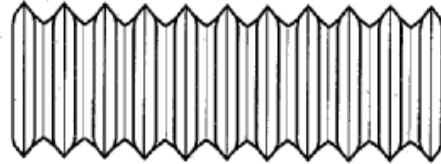
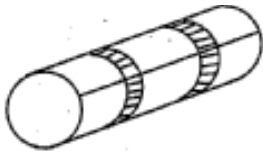
Gate is 3/16" thick material.



Flex Hose Adapter Hose Spigot x Duct Bell			
Part No.	Size	Bell	A
	O.D. (Hose)	Socket (Duct)	
1034-FHA-02	2 "	2.375 "	5.500 "
1034-FHA-03	3 "	3.500 "	6.000 "
1034-FHA-04	4 "	4.500 "	7.000 "
1034-FHA-05	5 "	5.563 "	7.000 "
1034-FHA-06	6 "	6.625 "	7.500 "
1034-FHA-08	8 "	8.625 "	9.000 "
1034-FHA-10	10 "	10.750 "	9.000 "
1034-FHA-12	12 "	12.750 "	9.000 "
1034-FHA-14	14 "	14.000 "	8.000 "
1034-FHA-16	16 "	16.000 "	8.000 "
1034-FHA-18	18 "	18.000 "	8.000 "

Flex Hose Adapter Hose Spigot x Duct Spigot			
Part No.	Size	Spigot	A
	O.D. (Hose)	P.E. (Duct)	
1033-FHA-02	2 "	2.375 "	5.500 "
1033-FHA-03	3 "	3.500 "	6.000 "
1033-FHA-04	4 "	4.500 "	7.000 "
1033-FHA-05	5 "	5.563 "	7.000 "
1033-FHA-06	6 "	6.625 "	7.500 "
1033-FHA-08	8 "	8.625 "	9.000 "
1033-FHA-10	10 "	10.750 "	9.000 "
1033-FHA-12	12 "	12.750 "	9.000 "
1033-FHA-14	14 "	14.000 "	8.000 "
1033-FHA-16	16 "	16.000 "	8.000 "
1033-FHA-18	18 "	18.000 "	8.000 "



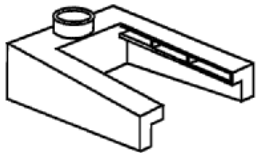


Flexible Coupling		
Part No.	Size	A
1034-FC-02	2 "	6 "
1034-FC-03	3 "	6 "
1034-FC-04	4 "	6 "
1034-FC-05	5 "	6 "
1034-FC-06	6 "	6 "
1034-FC-08	8 "	6 "
1034-FC-10	10 "	6 "
1034-FC-12	12 "	6 "
1034-FC-14	14 "	6 "
1034-FC-16	16 "	6 "
1034-FC-18	18 "	6 "

Flexible Duct (PVC)				
Part No.	Size	Bare Wire	Wall	Standard Length
	I.D.	Gauge		
1033-FH-02	2 "	0.045	0.024 "	25 ft.
1033-FH-03	3 "	0.045	0.032 "	25 ft.
1033-FH-04	4 "	0.045	0.032 "	25 ft.
1033-FH-05	5 "	0.045	0.032 "	25 ft.
1033-FH-06	6 "	0.064	0.032 "	25 ft.
1033-FH-08	8 "	0.064	0.032 "	25 ft.
1033-FH-10	10 "	0.064	0.024 "	15 ft.
1033-FH-12	12 "	0.064	0.024 "	15 ft.
1033-FH-14	14 "	0.064	0.024 "	15 ft.
1033-FH-16	16 "	0.064	0.024 "	15 ft.
1033-FH-18	18 "	0.064	0.024 "	15 ft.



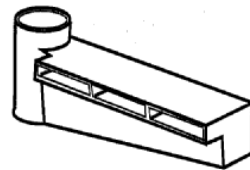
Hoods are fabricated to Harrison standards or customer specifications.



**Double Lateral Hood**

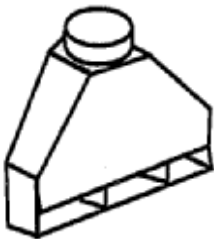
Lengths from 24" to 96"

Widths from 18" to 66"



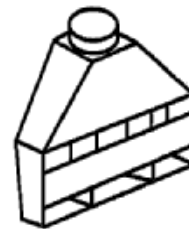
**Single Lateral Hood**

Lengths from 24" to 18 ft.



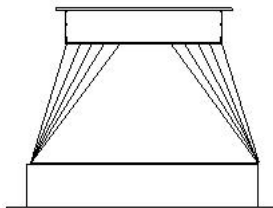
**Single Slot Rear Exhaust Hood**

Widths from 18' to 72"



**Double Slot Rear Exhaust Hood**

Widths from 18' to 72"



**Transitions**

Transitions (square to round, rectangular to round) with socket or flanged connections available per customer specifications. Transitions to dis-similar materials also available. Please contact us for pricing.