

# Harrison Machine & Plastic Corporation



## HARRISON SUPERDUCT® FUME EXHAUST SYSTEMS

PVC DUCT FITTINGS & PVC DUCT PIPE

LIST PRICE CATALOG

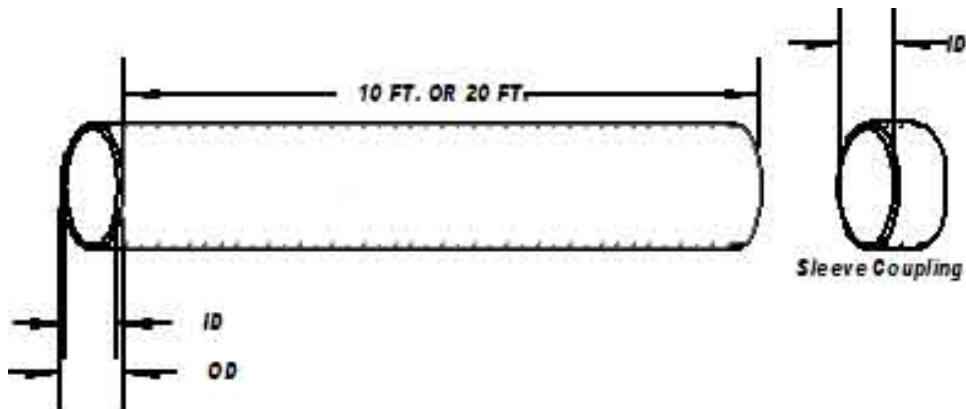
EFFECTIVE 01-01-2017



# HARRISON MACHINE & PLASTIC CORPORATION

11614 ST. RT. 88 | GARRETTSVILLE, OH

Ph. 330.527.5641 | Fax 330.527.5640



<b>HARRISON SUPERDUCT®</b>						
<b>PVC DUCT PIPE</b>						
Part No.	Size	O.D.	Wall	Std. Length	List Price	List Price
					Per Ft.	Per Ft.
Extruded					10 ft.	20 ft.
1033-PP-02	2"	2.375"	0.154"	10 ft. or 20 ft.	\$ 3.98	\$ 3.78
1033-PP-03	3"	3.500"	0.216"	10 ft. or 20 ft.	\$ 6.24	\$ 5.95
1033-PP-04	4"	4.500"	0.237"	10 ft. or 20 ft.	\$ 8.92	\$ 8.49
1033-PP-05	5"	5.563"	0.214"	10 ft. or 20 ft.	\$ 15.17	\$ 14.41
1033-PP-06	6"	6.625"	0.187"	10 ft. or 20 ft.	\$ 15.49	\$ 14.71
1033-PP-07	7"	7.375"	0.187"	10 ft. or 20 ft.	\$ 24.91	\$ 23.66
1033-PP-08	8"	8.625"	0.187"	10 ft. or 20 ft.	\$ 22.37	\$ 21.27
1033-PP-09	9"	9.375"	0.187"	10 ft. or 20 ft.	\$ 31.84	\$ 30.25
1033-PP-10	10"	10.750"	0.187"	10 ft. or 20 ft.	\$ 28.38	\$ 26.96
1033-PP-11	11"	11.375"	0.187"	10 ft. or 20 ft.	\$ 37.08	\$ 35.22
1033-PP-12	12"	12.750"	0.187"	10 ft. or 20 ft.	\$ 33.08	\$ 31.45
1033-PP-14	14"	14.000"	0.187"	10 ft. or 20 ft.	\$ 41.38	\$ 39.33
1033-PP-16	16"	16.000"	0.187"	10 ft. or 20 ft.	\$ 47.95	\$ 45.53
1033-PP-18	18"	18.000"	0.187"	10 ft. or 20 ft.	\$ 65.50	\$ 62.23
1033-PP-20	20"	20.000"	0.219"	10 ft. or 20 ft.	\$ 79.03	\$ 75.07
1033-PP-24	24"	24.000"	0.250"	10 ft. or 20 ft.	\$ 108.35	\$ 102.91

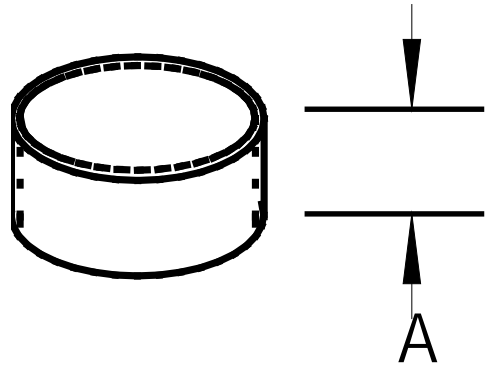
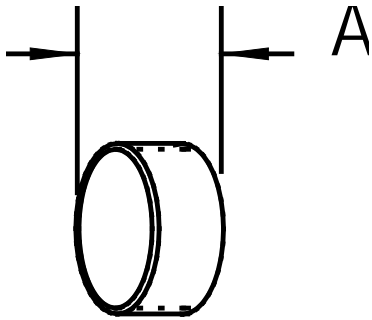
Duct diameters thru 60" are available. Contact factory for details.



**HARRISON MACHINE & PLASTIC CORPORATION**

11614 ST. RT. 88 | GARRETTSVILLE, OH

Ph. 330.527.5641 | Fax 330.527.5640



<b>Coupling</b>		
<b>Sleeved</b>		
Part No.	Size	List price
1034-CP-02	2"	\$ 9.88
1034-CP-03	3"	\$ 17.80
1034-CP-04	4"	\$ 24.29
1034-CP-05	5"	\$ 32.24
1034-CP-06	6"	\$ 41.11
1034-CP-07	7"	\$ 51.28
1034-CP-08	8"	\$ 53.53
1034-CP-09	9"	\$ 59.09
1034-CP-10	10"	\$ 61.83
1034-CP-11	11"	\$ 65.73
1034-CP-12	12"	\$ 67.40
1034-CP-14	14"	\$ 86.25
1034-CP-16	16"	\$ 91.42
1034-CP-18	18"	\$119.18
1034-CP-20	20"	\$143.16
1034-CP-24	24"	\$179.72

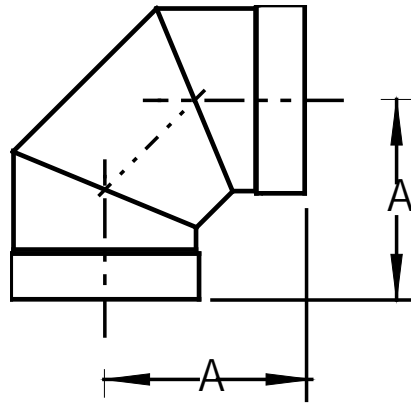
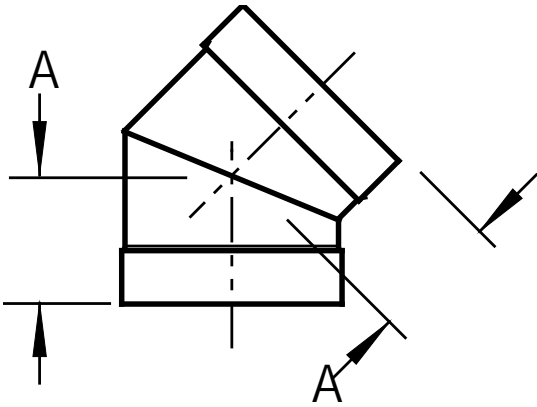
<b>Cap</b>		
<b>Belled</b>		
Part No.	Size	List price
1034-CA-03	3"	\$ 65.15
1034-CA-04	4"	\$ 89.86
1034-CA-06	6"	\$101.71
1034-CA-08	8"	\$105.03
1034-CA-10	10"	\$115.40
1034-CA-11	11"	\$116.15
1034-CA-12	12"	\$118.75
1034-CA-14	14"	\$191.99
1034-CA-16	16"	\$211.64
1034-CA-18	18"	\$240.53
1034-CA-20	20"	\$353.08
1034-CA-24	24"	\$375.32



**HARRISON MACHINE & PLASTIC CORPORATION**

11614 ST. RT. 88 | GARRETTSVILLE, OH

Ph. 330.527.5641 | Fax 330.527.5640



<b>45° Elbow</b>		
<b>Belled (2 piece)</b>		
<b>Part No.</b>	<b>Size</b>	<b>List Price</b>
1034-45-02	2"	\$ 92.48
1034-45-03	3"	\$ 100.43
1034-45-04	4"	\$ 116.12
1034-45-05	5"	\$ 123.87
1034-45-06	6"	\$ 131.61
1034-45-07	7"	\$ 153.86
1034-45-08	8"	\$ 165.26
1034-45-09	9"	\$ 171.34
1034-45-10	10"	\$ 179.86
1034-45-11	11"	\$ 209.87
1034-45-12	12"	\$ 220.30
1034-45-14	14"	\$ 260.75
1034-45-16	16"	\$ 313.63
1034-45-18	18"	\$ 468.78
1034-45-20	20"	\$ 651.68
1034-45-24	24"	\$ 821.42

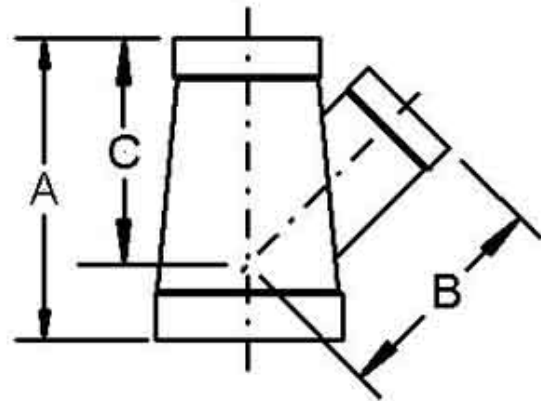
<b>90° Elbow</b>		
<b>Belled (3 piece)</b>		
<b>Part No.</b>	<b>Size</b>	<b>List Price</b>
1034-90-02	2"	\$ 113.26
1034-90-03	3"	\$ 143.02
1034-90-04	4"	\$ 154.42
1034-90-05	5"	\$ 166.86
1034-90-06	6"	\$ 188.52
1034-90-07	7"	\$ 208.75
1034-90-08	8"	\$ 211.50
1034-90-09	9"	\$ 238.51
1034-90-10	10"	\$ 257.00
1034-90-11	11"	\$ 266.83
1034-90-12	12"	\$ 292.40
1034-90-14	14"	\$ 336.75
1034-90-16	16"	\$ 439.75
1034-90-18	18"	\$ 610.22
1034-90-20	20"	\$ 913.02
1034-90-24	24"	\$ 1,121.77



**45° Wye (Reducing)**

Belled

Part No.	Size	List Price
1034-Y-0403	4" X 4" X 3"	\$ 210.48
1034-Y-040302	4" X 3" X 2"	\$ 243.03
1034-Y-050403	5" X 4" X 3"	\$ 286.70
1034-Y-0604	6" X 6" X 4"	\$ 314.23
1034-Y-060403	6" X 4" X 3"	\$ 274.49
1034-Y-070605	7" X 6" X 5"	\$ 327.89
1034-Y-0804	8" X 8" X 4"	\$ 382.40
1034-Y-0806	8" X 8" X 6"	\$ 351.76
1034-Y-080604	8" X 6" X 4"	\$ 350.40
1034-Y-090706	9" X 7" X 6"	\$ 371.57
1034-Y-1006	10" X 10" X 6"	\$ 409.21
1034-Y-1008	10" X 10" X 8"	\$ 463.01
1034-Y-100806	10" X 8" X 6"	\$ 455.96
1034-Y-110908	11" X 9" X 8"	\$ 621.21
1034-Y-1208	12" X 12" X 8"	\$ 453.86
1034-Y-1210	12" X 12" X 10"	\$ 583.92
1034-Y-121008	12" X 10" X 8"	\$ 534.52
1034-Y-1410	14" X 14" X 10"	\$ 567.00
1034-Y-1412	14" X 14" X 12"	\$ 745.73
1034-Y-141210	14" X 12" X 10"	\$ 658.77
1034-Y-1612	16" X 16" X 12"	\$ 675.05
1034-Y-1614	16" X 16" X 14"	\$ 862.60
1034-Y-161412	16" X 14" X 12"	\$ 757.00
1034-Y-1814	18" X 18" X 14"	\$1,025.70
1034-Y-181614	18" X 16" X 14"	\$ 903.49
1034-Y-1816	18" X 18" X 16"	\$1,138.29
1034-Y-2016	20" X 20" X 16"	\$1,300.77
1034-Y-2018	20" X 20" X 18"	\$1,448.26
1034-Y-201816	20" X 18" X 16"	\$1,321.11
1034-Y-2420	24" X 24" X 20"	\$1,806.83
1034-Y-242018	24" X 20" X 18"	\$1,829.10

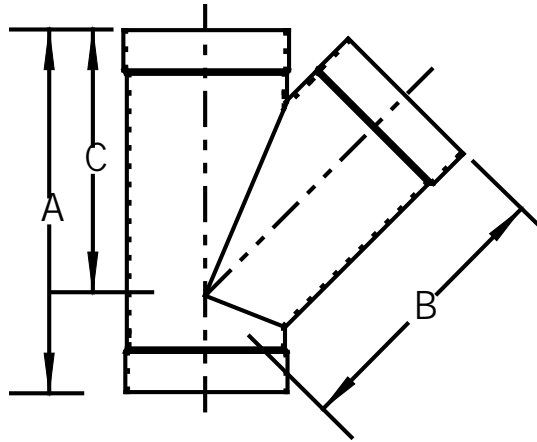




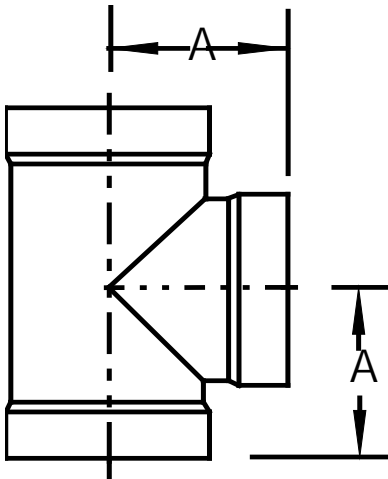
# HARRISON MACHINE & PLASTIC CORPORATION

11614 ST. RT. 88 | GARRETTSVILLE, OH

Ph. 330.527.5641 | Fax 330.527.5640



<b>45° Wye</b>		
<b>Belled</b>		
<b>Part No.</b>	<b>Size</b>	<b>List Price</b>
1034-Y-03	3" X 3" X 3"	\$ 173.53
1034-Y-04	4" X 4" X 4"	\$ 208.20
1034-Y-06	6" X 6" X 6"	\$ 320.14
1034-Y-07	7" X 7" X 7"	\$ 377.47
1034-Y-08	8" X 8" X 8"	\$ 382.41
1034-Y-09	9" X 9" X 9"	\$ 442.67
1034-Y-10	10" X 10" X 10"	\$ 480.21
1034-Y-11	11" X 11" X 11"	\$ 614.20
1034-Y-12	12" X 12" X 12"	\$ 636.35
1034-Y-14	14" X 14" X 14"	\$ 737.13
1034-Y-16	16" X 16" X 16"	\$ 873.47
1034-Y-18	18" X 18" X 18"	\$ 1,221.30
1034-Y-20	20" X 20" X 20"	\$ 1,458.42
1034-Y-24	24" X 24" X 24"	\$ 1,992.01



<b>Tee (Reducing)</b>		
<b>Belled</b>		
<b>Part No.</b>	<b>Size</b>	<b>List Price</b>
1034-T-0302	3" X 3" X 2"	\$ 130.12
1034-T-0403	4" X 4" X 3"	\$ 156.17
1034-T-0604	6" X 6" X 4"	\$ 217.40
1034-T-060404	6" X 4" X 4"	\$ 296.28
1034-T-0804	8" X 8" X 4"	\$ 265.40
1034-T-0806	8" X 8" X 6"	\$ 286.55
1034-T-1006	10" X 10" X 6"	\$ 307.87
1034-T-1008	10" X 10" X 8"	\$ 372.53
1034-T-100808	10" X 8" X 8"	\$ 426.78
1034-T-1206	12" X 12" X 6"	\$ 403.14
1034-T-1208	12" X 12" X 8"	\$ 364.35
1034-T-1210	12" X 12" X 10"	\$ 490.47
1034-T-1410	14" X 14" X 10"	\$ 476.34
1034-T-1412	14" X 14" X 12"	\$ 600.78
1034-T-1612	16" X 16" X 12"	\$ 652.15
1034-T-1614	16" X 16" X 14"	\$ 691.67
1034-T-1814	18" X 18" X 14"	\$ 778.63
1034-T-1816	18" X 18" X 16"	\$ 810.26
1034-T-2016	20" X 20" X 16"	\$ 1,027.63
1034-T-2018	20" X 20" X 18"	\$ 1,169.91
1034-T-2418	24" X 24" X 18"	\$ 1,359.61
1034-T-2420	24" X 24" X 20"	\$ 1,446.58

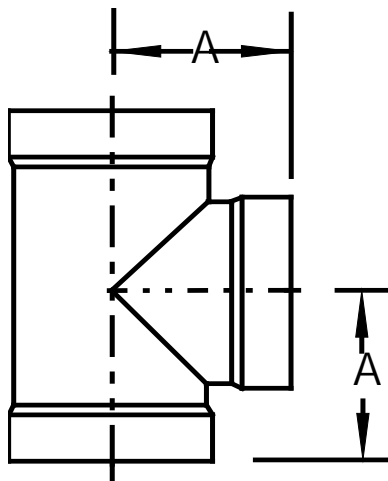


# HARRISON MACHINE & PLASTIC CORPORATION

11614 ST. RT. 88 | GARRETTSVILLE, OH

Ph. 330.527.5641 | Fax 330.527.5640

<b>Tee</b>		
<b>Belled</b>		
<b>Part No.</b>	<b>Size</b>	<b>List Price</b>
<b>1034-T-03</b>	<b>3" X 3" X 3"</b>	<b>\$ 151.82</b>
<b>1034-T-04</b>	<b>4" X 4" X 4"</b>	<b>\$ 189.71</b>
<b>1034-T-06</b>	<b>6" X 6" X 6"</b>	<b>\$ 230.24</b>
<b>1034-T-07</b>	<b>7" X 7" X 7"</b>	<b>\$ 259.30</b>
<b>1034-T-08</b>	<b>8" X 8" X 8"</b>	<b>\$ 332.26</b>
<b>1034-T-09</b>	<b>9" X 9" X 9"</b>	<b>\$ 339.91</b>
<b>1034-T-10</b>	<b>10" X 10" X 10"</b>	<b>\$ 350.18</b>
<b>1034-T-11</b>	<b>11" X 11" X 11"</b>	<b>\$ 371.53</b>
<b>1034-T-12</b>	<b>12" X 12" X 12"</b>	<b>\$ 407.11</b>
<b>1034-T-14</b>	<b>14" X 14" X 14"</b>	<b>\$ 470.35</b>
<b>1034-T-16</b>	<b>16" X 16" X 16"</b>	<b>\$ 608.65</b>
<b>1034-T-18</b>	<b>18" X 18" X 18"</b>	<b>\$ 948.55</b>
<b>1034-T-20</b>	<b>20" X 20" X 20"</b>	<b>\$1,169.91</b>
<b>1034-T-24</b>	<b>24" X 24" X 24"</b>	<b>\$1,533.51</b>



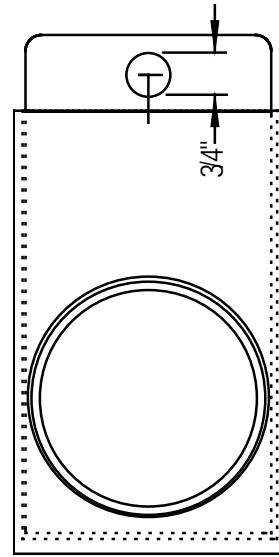
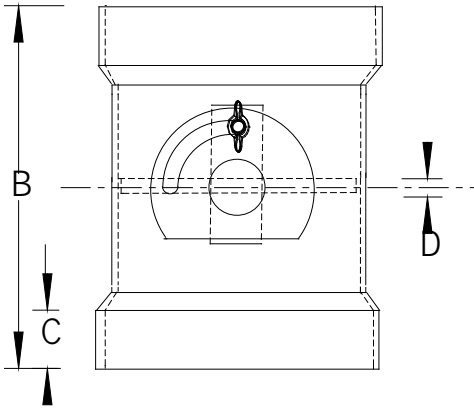




# HARRISON MACHINE & PLASTIC CORPORATION

11614 ST. RT. 88 | GARRETTSVILLE, OH

Ph. 330.527.5641 | Fax 330.527.5640



<i>Butterfly Damper</i>		
Belled		
Part No.	Size	List Price
1034-BD-02	2"	\$ 226.24
1034-BD-03	3"	\$ 234.76
1034-BD-04	4"	\$ 244.80
1034-BD-05	5"	\$ 275.05
1034-BD-06	6"	\$ 304.82
1034-BD-07	7"	\$ 306.27
1034-BD-08	8"	\$ 308.89
1034-BD-09	9"	\$ 324.48
1034-BD-10	10"	\$ 340.90
1034-BD-11	11"	\$ 363.04
1034-BD-12	12"	\$ 379.42
1034-BD-14	14"	\$ 518.98
1034-BD-16	16"	\$ 568.29
1034-BD-18	18"	\$ 770.03
1034-BD-20	20"	\$ 916.49
1034-BD-24	24"	\$ 1,205.24

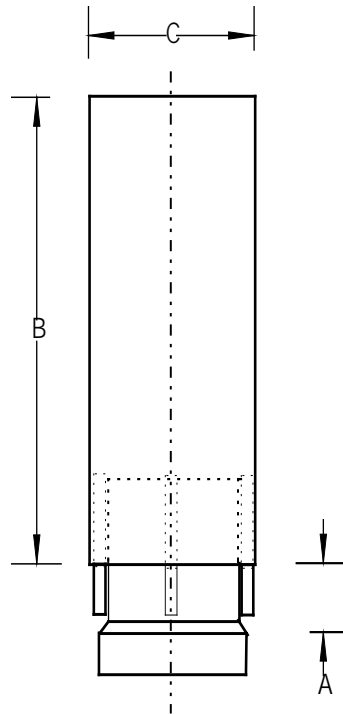
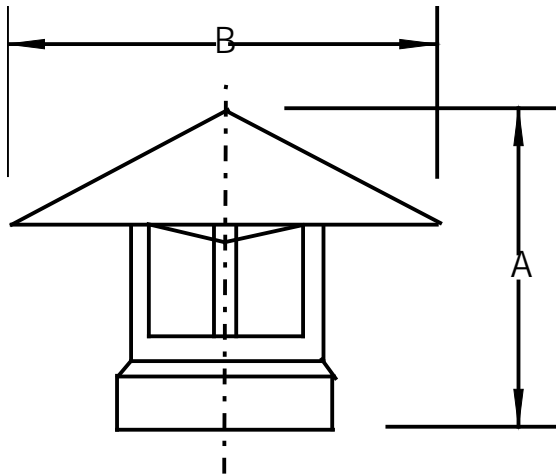
<i>Blastgate</i>		
Belled		
Part No.	Size	List Price
1034-BG-02	2"	\$ 210.30
1034-BG-03	3"	\$ 272.00
1034-BG-04	4"	\$ 255.28
1034-BG-05	5"	\$ 277.25
1034-BG-06	6"	\$ 303.38
1034-BG-07	7"	\$ 342.53
1034-BG-08	8"	\$ 360.96
1034-BG-09	9"	\$ 374.60
1034-BG-10	10"	\$ 386.07
1034-BG-11	11"	\$ 439.99
1034-BG-12	12"	\$ 462.46
1034-BG-14	14"	\$ 631.92
1034-BG-16	16"	\$ 665.41
1034-BG-18	18"	\$ 820.22
1034-BG-20	20"	\$ 956.88
1034-BG-24	24"	\$1,234.37



**HARRISON MACHINE & PLASTIC CORPORATION**

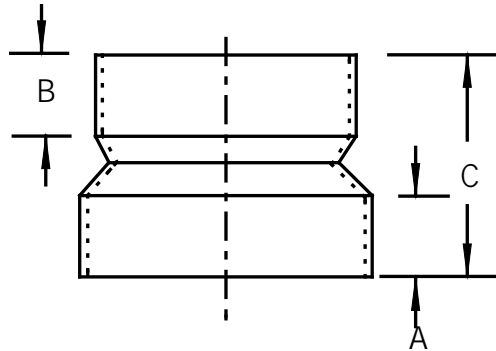
11614 ST. RT. 88 | GARRETTSVILLE, OH

Ph. 330.527.5641 | Fax 330.527.5640



<b>Rain Cap (Style "A")</b>		
<b>Belled</b>		
<b>Part No.</b>	<b>Size</b>	<b>List Price</b>
1034-WCA-02	2"	\$ 382.40
1034-WCA-03	3"	\$ 315.40
1034-WCA-04	4"	\$ 343.97
1034-WCA-05	5"	\$ 406.74
1034-WCA-06	6"	\$ 427.15
1034-WCA-07	7"	\$ 447.37
1034-WCA-08	8"	\$ 469.91
1034-WCA-09	9"	\$ 488.04
1034-WCA-10	10"	\$ 585.51
1034-WCA-11	11"	\$ 599.90
1034-WCA-12	12"	\$ 650.57
1034-WCA-14	14"	\$ 884.49
1034-WCA-16	16"	\$ 696.33
1034-WCA-18	18"	\$ 1,396.18
1034-WCA-20	20"	\$ 1,529.57
1034-WCA-24	24"	\$ 1,818.61

<b>Rain Cap (Style "B")</b>		
<b>Zero Pressure Loss Feature</b>		
<b>Part No.</b>	<b>Size</b>	<b>List Price</b>
1034-WCB-03	3"	\$ 329.41
1034-WCB-04	4"	\$ 387.92
1034-WCB-05	5"	\$ 424.54
1034-WCB-06	6"	\$ 453.88
1034-WCB-07	7"	\$ 475.75
1034-WCB-08	8"	\$ 504.66
1034-WCB-09	9"	\$ 585.26
1034-WCB-10	10"	\$ 634.41
1034-WCB-11	11"	\$ 684.80
1034-WCB-12	12"	\$ 711.74
1034-WCB-14	14"	\$ 955.96
1034-WCB-16	16"	\$ 1,260.42
1034-WCB-18	18"	\$ 1,534.04
1034-WCB-20	20"	\$ 1,636.28
1034-WCB-24	24"	\$ 2,067.62



<i>Rolled Reducer Coupling</i>		
Bell X Bell		
Part No.	Size	List Price
<b>1034-RCR-0604</b>	<b>6" X 4"</b>	<b>\$ 286.62</b>
<b>1034-RCR-0804</b>	<b>8" X 4"</b>	<b>\$ 340.05</b>
<b>1034-RCR-0806</b>	<b>8" X 6"</b>	<b>\$ 331.79</b>
<b>1034-RCR-1006</b>	<b>10" X 6"</b>	<b>\$ 390.13</b>
<b>1034-RCR-1008</b>	<b>10" X 8"</b>	<b>\$ 377.32</b>
<b>1034-RCR-1208</b>	<b>12" X 8"</b>	<b>\$ 442.99</b>
<b>1034-RCR-1210</b>	<b>12" X 10"</b>	<b>\$ 427.03</b>
<b>1034-RCR-1410</b>	<b>14" X 10"</b>	<b>\$ 482.91</b>
<b>1034-RCR-1412</b>	<b>14" X 12"</b>	<b>\$ 518.27</b>
<b>1034-RCR-1612</b>	<b>16" X 12"</b>	<b>\$ 537.48</b>
<b>1034-RCR-1614</b>	<b>16" X 14"</b>	<b>\$ 512.87</b>
<b>1034-RCR-1814</b>	<b>18" X 14"</b>	<b>\$ 637.55</b>
<b>1034-RCR-1816</b>	<b>18" X 16"</b>	<b>\$ 612.60</b>
<b>1034-RCR-2016</b>	<b>20" X 16"</b>	<b>\$ 607.83</b>
<b>1034-RCR-2018</b>	<b>20" X 18"</b>	<b>\$ 712.95</b>
<b>1034-RCR-2420</b>	<b>24" X 20"</b>	<b>\$ 746.68</b>

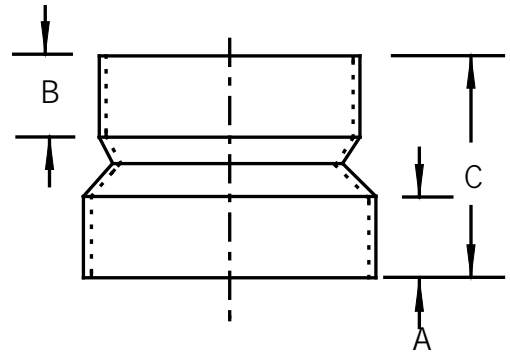


**Reducer Coupling**

**Bell X Bell**

Part No.	Size	List Price
1034-RC-0302	3" X 2"	\$ 86.13
1034-RC-0402	4" X 2"	\$ 99.97
1034-RC-0403	4" X 3"	\$ 71.92
1034-RC-0602	6" X 2"	\$ 203.98
1034-RC-0603	6" X 3"	\$ 200.92
1034-RC-0604	6" X 4"	\$ 76.17
1034-RC-0803	8" X 3"	\$ 332.99
1034-RC-0804	8" X 4"	\$ 206.20
1034-RC-0806	8" X 6"	\$ 89.98
1034-RC-1005	10" X 5"	\$ 456.21
1034-RC-1006	10" X 6"	\$ 246.40
1034-RC-1008	10" X 8"	\$ 116.86
1034-RC-1009	10" X 9"	\$ 163.64
1034-RC-1208	12" X 8"	\$ 292.40
1034-RC-1210	12" X 10"	\$ 131.61
1034-RC-1410	14" X 10"	\$ 314.36
1034-RC-1412	14" X 12"	\$ 186.22
1034-RC-1612	16" X 12"	\$ 362.78
1034-RC-1614	16" X 14"	\$ 227.64
1034-RC-1814	18" X 14"	\$ 570.04
1034-RC-1816	18" X 16"	\$ 274.41

*Rolled reducers also available*

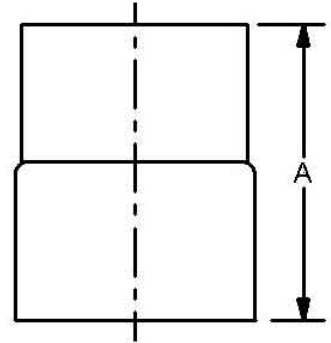




**Flex Hose Adapter**

**Hose Spigot X Duct Spigot**

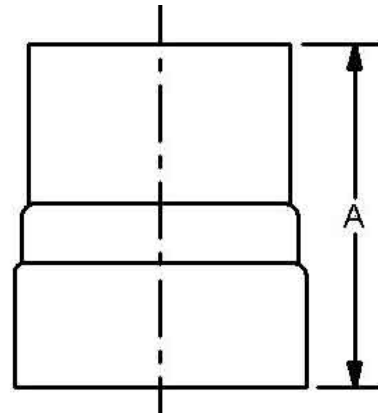
Part No.	Size	Spigot	List Price
	O.D. (Hose)	P.E. (Duct)	
1033-FHA-02	2"	2.375"	\$ 31.47
1033-FHA-03	3"	3.500"	\$ 40.16
1033-FHA-04	4"	4.500"	\$ 41.23
1033-FHA-05	5"	5.563"	\$ 67.03
1033-FHA-06	6"	6.625"	\$ 72.90
1033-FHA-07	7"	7.375"	\$ 78.08
1033-FHA-08	8"	8.625"	\$ 84.57
1033-FHA-10	10"	10.750"	\$ 107.36
1033-FHA-12	12"	12.750"	\$ 134.49
1033-FHA-14	14"	14.000"	\$ 55.50
1033-FHA-16	16"	16.000"	\$ 64.62



**Flex Hose Adapter**

**Hose Spigot X Duct Bell**

Part No.	Size	List Price
1034-FHA-02	2"	\$ 45.24
1034-FHA-03	3"	\$ 56.26
1034-FHA-04	4"	\$ 57.21
1034-FHA-05	5"	\$ 81.27
1034-FHA-06	6"	\$ 86.13
1034-FHA-08	8"	\$ 104.01
1034-FHA-10	10"	\$ 126.32
1034-FHA-12	12"	\$ 165.37
1034-FHA-14	14"	\$ 58.77
1034-FHA-16	16"	\$ 68.42



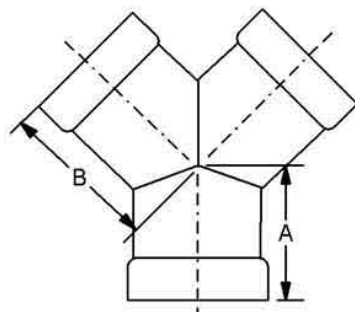
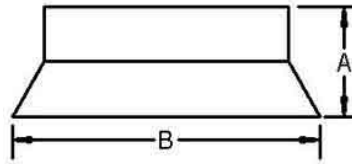


# HARRISON MACHINE & PLASTIC CORPORATION

11614 ST. RT. 88 | GARRETTSVILLE, OH

Ph. 330.527.5641 | Fax 330.527.5640

<b>Rainskirt</b>		
<b>Belled</b>		
<b>Part No.</b>	<b>Size</b>	<b>List price</b>
1034-RS-02	2"	\$ 195.59
1034-RS-03	3"	\$ 216.02
1034-RS-04	4"	\$ 246.95
1034-RS-05	5"	\$ 267.55
1034-RS-06	6"	\$ 288.18
1034-RS-08	8"	\$ 298.45
1034-RS-10	10"	\$ 308.68
1034-RS-12	12"	\$ 360.12
1034-RS-14	14"	\$ 421.91
1034-RS-16	16"	\$ 555.74
1034-RS-18	18"	\$ 617.53
1034-RS-20	20"	\$ 637.97
1034-RS-24	24"	\$ 740.95

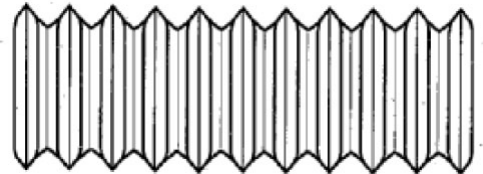


<b>True Wye</b>		
<b>Belled</b>		
<b>Part No.</b>	<b>Size</b>	<b>List Price</b>
1034-TY-02	2"	\$ 266.75
1034-TY-03	3"	\$ 269.76
1034-TY-04	4"	\$ 273.68
1034-TY-05	5"	\$ 278.68
1034-TY-06	6"	\$ 297.73
1034-TY-07	7"	\$ 326.11
1034-TY-08	8"	\$ 362.45
1034-TY-09	9"	\$ 381.97
1034-TY-10	10"	\$ 457.86
1034-TY-11	11"	\$ 470.09
1034-TY-12	12"	\$ 566.02
1034-TY-14	14"	\$ 712.96
1034-TY-16	16"	\$ 869.95
1034-TY-18	18"	\$ 1,476.89
1034-TY-20	20"	\$ 1,869.38
1034-TY-24	24"	\$ 2,227.82



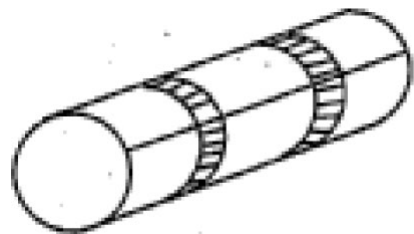
***Flexible PVC Duct***

<b>Part No.</b>	<b>Size</b>	<b>List Price</b>
<b>1033-FH-02</b>	<b>2"</b>	<b>\$ 9.17</b>
<b>1033-FH-03</b>	<b>3"</b>	<b>\$ 14.51</b>
<b>1033-FH-04</b>	<b>4"</b>	<b>\$ 17.01</b>
<b>1033-FH-05</b>	<b>5"</b>	<b>\$ 18.40</b>
<b>1033-FH-06</b>	<b>6"</b>	<b>\$ 19.49</b>
<b>1033-FH-07</b>	<b>7"</b>	<b>\$ 24.85</b>
<b>1033-FH-08</b>	<b>8"</b>	<b>\$ 27.33</b>
<b>1033-FH-10</b>	<b>10"</b>	<b>\$ 34.71</b>
<b>1033-FH-12</b>	<b>12"</b>	<b>\$ 42.05</b>
<b>1033-FH-14</b>	<b>14"</b>	<b>\$ 48.96</b>
<b>1033-FH-16</b>	<b>16"</b>	<b>\$ 59.23</b>



***Flexible Duct Coupling***

<b>Part No.</b>	<b>Size</b>	<b>List price</b>
<b>1034-FC-03</b>	<b>3"</b>	<b>\$ 109.09</b>
<b>1034-FC-04</b>	<b>4"</b>	<b>\$ 117.82</b>
<b>1034-FC-06</b>	<b>6"</b>	<b>\$ 122.20</b>
<b>1034-FC-07</b>	<b>7"</b>	<b>\$ 130.32</b>
<b>1034-FC-08</b>	<b>8"</b>	<b>\$ 137.42</b>
<b>1034-FC-09</b>	<b>9"</b>	<b>\$ 144.53</b>
<b>1034-FC-10</b>	<b>10"</b>	<b>\$ 152.68</b>
<b>1034-FC-12</b>	<b>12"</b>	<b>\$ 171.83</b>
<b>1034-FC-14</b>	<b>14"</b>	<b>\$ 190.89</b>
<b>1034-FC-16</b>	<b>16"</b>	<b>\$ 206.15</b>
<b>1034-FC-18</b>	<b>18"</b>	<b>\$ 260.51</b>
<b>1034-FC-20</b>	<b>20"</b>	<b>\$ 316.07</b>
<b>1034-FC-24</b>	<b>24"</b>	<b>\$ 391.14</b>

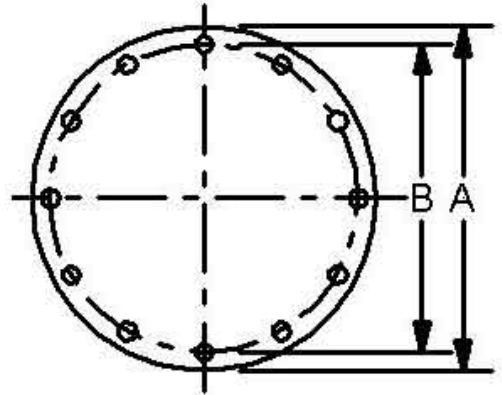
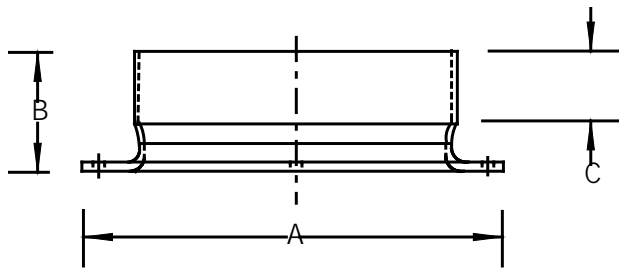




**HARRISON MACHINE & PLASTIC CORPORATION**

11614 ST. RT. 88 | GARRETTSVILLE, OH

Ph. 330.527.5641 | Fax 330.527.5640



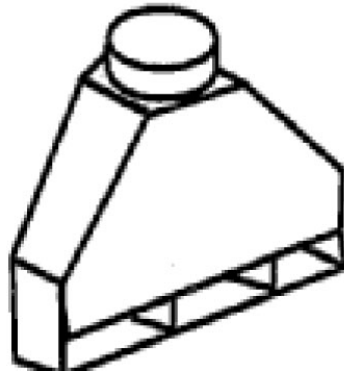
<b>Flange</b>		
<b>Belled</b>		
<b>Part No.</b>	<b>Size</b>	<b>List Price</b>
1034-SF-02	2"	\$ 50.85
1034-SF-03	3"	\$ 58.16
1034-SF-04	4"	\$ 83.48
1034-SF-05	5"	\$ 88.51
1034-SF-06	6"	\$ 93.21
1034-SF-07	7"	\$ 109.86
1034-SF-08	8"	\$ 119.28
1034-SF-09	9"	\$ 146.95
1034-SF-10	10"	\$ 123.60
1034-SF-11	11"	\$ 150.86
1034-SF-12	12"	\$ 141.85
1034-SF-14	14"	\$ 167.38
1034-SF-16	16"	\$ 208.21
1034-SF-18	18"	\$ 318.47
1034-SF-20	20"	\$ 369.33
1034-SF-24	24"	\$ 405.52

*Duct Drilling, Not 150#*

<b>Blind Flange</b>		
<b>Part No.</b>	<b>Size</b>	<b>List Price</b>
1034-BF-03	3"	\$ 59.70
1034-BF-04	4"	\$ 68.93
1034-BF-05	5"	\$ 71.89
1034-BF-06	6"	\$ 102.58
1034-BF-07	7"	\$ 110.51
1034-BF-08	8"	\$ 122.79
1034-BF-09	9"	\$ 124.53
1034-BF-10	10"	\$ 126.40
1034-BF-11	11"	\$ 159.63
1034-BF-12	12"	\$ 179.42
1034-BF-14	14"	\$ 226.09
1034-BF-16	16"	\$ 254.98
1034-BF-18	18"	\$ 267.99
1034-BF-20	20"	\$ 293.41
1034-BF-24	24"	\$ 422.41

All blind flanges are 3/16" thick.  
All bolt holes are 5/16" diameter.





<b>Rear Exhaust Hood</b>		
<b>Single Slot</b>		
<b>1034-SSH-18</b>	<b>18"</b>	<b>\$ 911.76</b>
<b>1034-SSH-24</b>	<b>24"</b>	<b>\$ 987.87</b>
<b>1034-SSH-30</b>	<b>30"</b>	<b>\$ 1,139.85</b>
<b>1034-SSH-36</b>	<b>36"</b>	<b>\$ 1,215.65</b>
<b>1034-SSH-42</b>	<b>42"</b>	<b>\$ 1,369.33</b>
<b>1034-SSH-48</b>	<b>48"</b>	<b>\$ 1,481.64</b>
<b>1034-SSH-54</b>	<b>54"</b>	<b>\$ 1,565.29</b>
<b>1034-SSH-60</b>	<b>60"</b>	<b>\$ 1,633.62</b>
<b>1034-SSH-66</b>	<b>66"</b>	<b>\$ 1,747.65</b>
<b>1034-SSH-72</b>	<b>72"</b>	<b>\$ 1,937.53</b>

***Please Contact factory for prices on:***

**Double Slot, Single Lateral, Double Lateral, and other custom hoods.**



# HARRISON MACHINE & PLASTIC CORPORATION

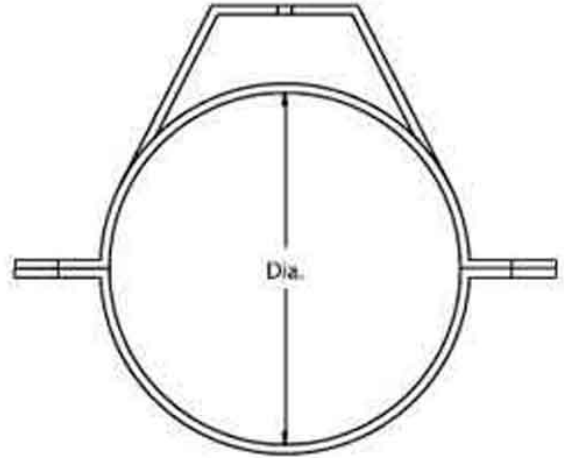
11614 ST. RT. 88 | GARRETTSVILLE, OH

Ph. 330.527.5641 | Fax 330.527.5640

## Pipe Hangers

### Stainless Steel Type 304

Part No.	Size	List price
PH-04	4"	\$ 197.97
PH-06	6"	\$ 201.32
PH-08	8"	\$ 204.67
PH-10	10"	\$ 208.03
PH-12	12"	\$ 211.39
PH-14	14"	\$ 218.10
PH-16	16"	\$ 224.80
PH-18	18"	\$ 228.16
PH-20	20"	\$ 231.52
PH-24	24"	\$ 238.23



**Please Contact factory for prices on:**

Sizes over 24" or otherwise not listed.



# HARRISON MACHINE & PLASTIC CORPORATION

11614 ST. RT. 88 | GARRETTSVILLE, OH

Ph. 330.527.5641 | Fax 330.527.5640



<i>Actuated Butterfly Damper</i>		
Belled		
<b>Part No.</b>	<b>Size</b>	<b>List Price</b>
1034-ABD-02	2"	\$ 478.14
1034-ABD-03	3"	\$ 485.98
1034-ABD-04	4"	\$ 495.22
1034-ABD-05	5"	\$ 523.06
1034-ABD-06	6"	\$ 550.44
1034-ABD-07	7"	\$ 551.78
1034-ABD-08	8"	\$ 554.18
1034-ABD-09	9"	\$ 568.52
1034-ABD-10	10"	\$ 583.64
1034-ABD-11	11"	\$ 604.00
1034-ABD-12	12"	\$ 619.08
1034-ABD-14	14"	\$ 747.46
1034-ABD-16	16"	\$ 792.84
1034-ABD-18	18"	\$ 978.44
1034-ABD-20	20"	\$ 1,113.18
1034-ABD-24	24"	\$ 1,378.82



<b>Roof Flashing</b>		
<b>EPDM</b>		
<b>Part No.</b>	<b>Size</b>	<b>List price</b>
<b>RF-05</b>	<b>4" - 8-1/4"</b>	<b>\$ 37.98</b>
<b>RF-06</b>	<b>4-3/4" - 8-1/4"</b>	<b>\$ 41.48</b>
<b>RF-07</b>	<b>5-1/2" - 11-1/2"</b>	<b>\$ 59.04</b>
<b>RF-08</b>	<b>6-3/4" - 13-1/2"</b>	<b>\$ 78.63</b>
<b>RF-09</b>	<b>9-1/2" - 20-1/2"</b>	<b>\$ 127.74</b>
<b>RF-10</b>	<b>12" - 28-1/2"</b>	<b>\$ 240.50</b>

- Please contact the factory for items not shown in this catalog
- Virtually all reduction sizes are available in tees, wyes, elbows and reducer couplings
- All configurations are also available in plain end (spigot end) end connections
- Pricing for Rear Exhaust (Single and Double) Hoods as well as Lateral (Single and Double) Hoods available on request
- All types of transitions (square to round, rectangular to round) with socket, spigot or flanged connections are available per customer specification