

# **Harrison Machine & Plastic Corporation**



## **HARRISON SUPERDUCT® FUME EXHAUST SYSTEMS**

**PVC DUCT FITTINGS & PVC DUCT PIPE**

**LIST PRICE CATALOG**

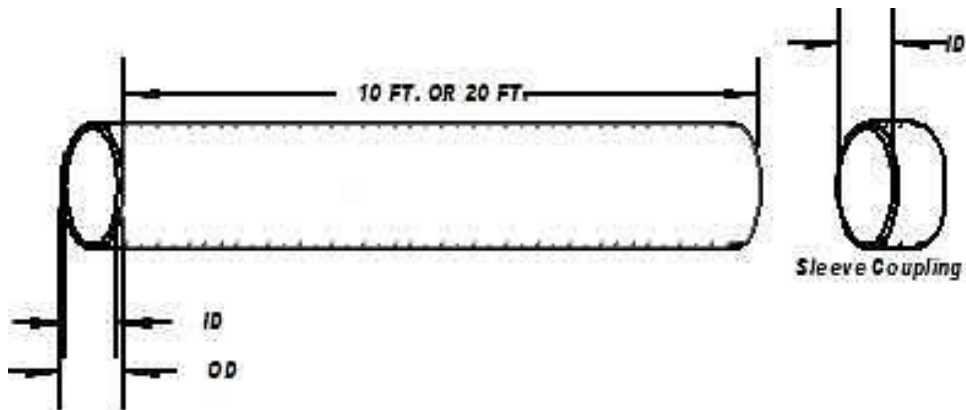
**EFFECTIVE 01-01-2018**



# HARRISON MACHINE & PLASTIC CORPORATION

11614 ST. RT. 88 | GARRETTSVILLE, OH

Ph. 330.527.5641 | Fax 330.527.5640



<b>HARRISON SUPERDUCT®</b>						
<b>PVC DUCT PIPE</b>						
Part No.	Size	O.D.	Wall	Std. Length	List Price	List Price
					Per Ft.	Per Ft.
	<b>Extruded</b>				10 ft.	20 ft.
1033-PP-02	2"	2.375"	0.154"	10 ft. or 20 ft.	\$ 4.19	\$ 3.98
1033-PP-03	3"	3.500"	0.216"	10 ft. or 20 ft.	\$ 6.57	\$ 6.26
1033-PP-04	4"	4.500"	0.237"	10 ft. or 20 ft.	\$ 9.39	\$ 8.94
1033-PP-05	5"	5.563"	0.214"	10 ft. or 20 ft.	\$ 15.97	\$ 15.17
1033-PP-06	6"	6.625"	0.187"	10 ft. or 20 ft.	\$ 16.31	\$ 15.48
1033-PP-07	7"	7.375"	0.187"	10 ft. or 20 ft.	\$ 26.22	\$ 24.91
1033-PP-08	8"	8.625"	0.187"	10 ft. or 20 ft.	\$ 23.55	\$ 22.39
1033-PP-09	9"	9.375"	0.187"	10 ft. or 20 ft.	\$ 33.52	\$ 31.84
1033-PP-10	10"	10.750"	0.187"	10 ft. or 20 ft.	\$ 29.87	\$ 28.38
1033-PP-11	11"	11.375"	0.187"	10 ft. or 20 ft.	\$ 39.03	\$ 37.07
1033-PP-12	12"	12.750"	0.187"	10 ft. or 20 ft.	\$ 34.82	\$ 33.11
1033-PP-14	14"	14.000"	0.187"	10 ft. or 20 ft.	\$ 43.56	\$ 41.40
1033-PP-16	16"	16.000"	0.187"	10 ft. or 20 ft.	\$ 50.47	\$ 47.93
1033-PP-18	18"	18.000"	0.187"	10 ft. or 20 ft.	\$ 68.95	\$ 65.51
1033-PP-20	20"	20.000"	0.219"	10 ft. or 20 ft.	\$ 83.19	\$ 79.02
1033-PP-24	24"	24.000"	0.250"	10 ft. or 20 ft.	\$ 114.05	\$ 108.33

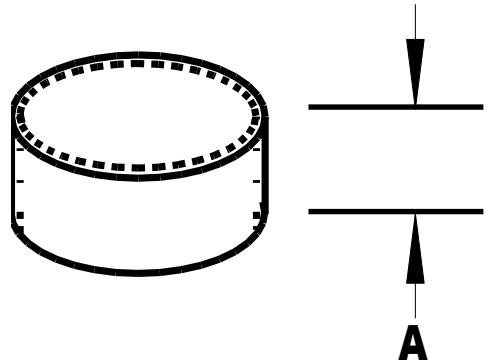
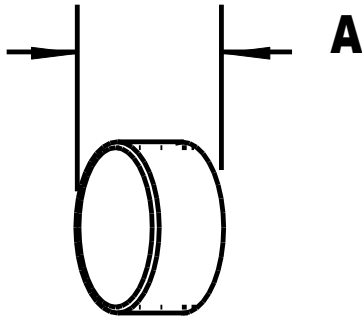
**Duct diameters thru 60" are available. Contact factory for details.**



# HARRISON MACHINE & PLASTIC CORPORATION

11614 ST. RT. 88 | GARRETTSVILLE, OH

Ph. 330.527.5641 | Fax 330.527.5640



<b>Coupling</b>		
<b>Sleeved</b>		
Part No.	Size	List price
1034-CP-02	2"	\$ 10.40
1034-CP-03	3"	\$ 18.74
1034-CP-04	4"	\$ 25.57
1034-CP-05	5"	\$ 33.94
1034-CP-06	6"	\$ 43.27
1034-CP-07	7"	\$ 53.98
1034-CP-08	8"	\$ 56.35
1034-CP-09	9"	\$ 62.20
1034-CP-10	10"	\$ 65.08
1034-CP-11	11"	\$ 69.19
1034-CP-12	12"	\$ 70.95
1034-CP-14	14"	\$ 90.79
1034-CP-16	16"	\$ 96.23
1034-CP-18	18"	\$125.45
1034-CP-20	20"	\$150.69
1034-CP-24	24"	\$189.18

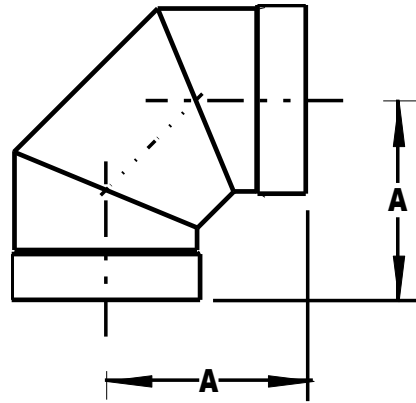
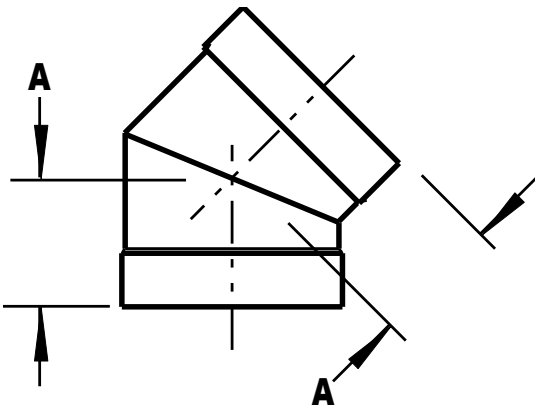
<b>Cap</b>		
<b>Belled</b>		
Part No.	Size	List price
1034-CA-03	3"	\$ 68.58
1034-CA-04	4"	\$ 94.59
1034-CA-06	6"	\$107.06
1034-CA-08	8"	\$110.56
1034-CA-10	10"	\$121.47
1034-CA-11	11"	\$122.26
1034-CA-12	12"	\$125.00
1034-CA-14	14"	\$202.09
1034-CA-16	16"	\$222.78
1034-CA-18	18"	\$253.19
1034-CA-20	20"	\$371.66
1034-CA-24	24"	\$395.07



# HARRISON MACHINE & PLASTIC CORPORATION

11614 ST. RT. 88 | GARRETTSVILLE, OH

Ph. 330.527.5641 | Fax 330.527.5640



<b>45° Elbow</b>		
<b>Belled (2 piece)</b>		
<b>Part No.</b>	<b>Size</b>	<b>List Price</b>
1034-45-02	2"	\$ 97.35
1034-45-03	3"	\$ 105.72
1034-45-04	4"	\$ 122.23
1034-45-05	5"	\$ 130.39
1034-45-06	6"	\$ 138.54
1034-45-07	7"	\$ 161.96
1034-45-08	8"	\$ 173.96
1034-45-09	9"	\$ 180.36
1034-45-10	10"	\$ 189.33
1034-45-11	11"	\$ 220.92
1034-45-12	12"	\$ 231.89
1034-45-14	14"	\$ 274.47
1034-45-16	16"	\$ 330.14
1034-45-18	18"	\$ 493.45
1034-45-20	20"	\$ 685.98
1034-45-24	24"	\$ 864.65

<b>90° Elbow</b>		
<b>Belled (3 piece)</b>		
<b>Part No.</b>	<b>Size</b>	<b>List Price</b>
1034-90-02	2"	\$ 119.22
1034-90-03	3"	\$ 150.55
1034-90-04	4"	\$ 162.55
1034-90-05	5"	\$ 175.64
1034-90-06	6"	\$ 198.44
1034-90-07	7"	\$ 219.74
1034-90-08	8"	\$ 222.63
1034-90-09	9"	\$ 251.06
1034-90-10	10"	\$ 270.53
1034-90-11	11"	\$ 280.87
1034-90-12	12"	\$ 307.79
1034-90-14	14"	\$ 354.47
1034-90-16	16"	\$ 462.89
1034-90-18	18"	\$ 642.34
1034-90-20	20"	\$ 961.07
1034-90-24	24"	\$ 1,180.81



# HARRISON MACHINE & PLASTIC CORPORATION

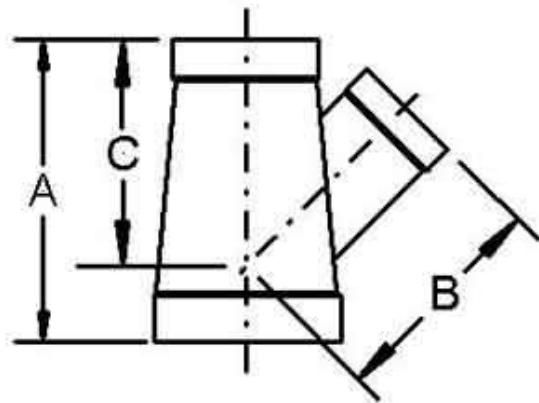
11614 ST. RT. 88 | GARRETTSVILLE, OH

Ph. 330.527.5641 | Fax 330.527.5640

## 45° Wye (Reducing)

Belled

Part No.	Size	List Price
1034-Y-0403	4" X 4" X 3"	\$ 221.56
1034-Y-040302	4" X 3" X 2"	\$ 255.82
1034-Y-050403	5" X 4" X 3"	\$ 301.79
1034-Y-0604	6" X 6" X 4"	\$ 330.77
1034-Y-060403	6" X 4" X 3"	\$ 288.94
1034-Y-070605	7" X 6" X 5"	\$ 345.15
1034-Y-0804	8" X 8" X 4"	\$ 402.53
1034-Y-0806	8" X 8" X 6"	\$ 370.27
1034-Y-080604	8" X 6" X 4"	\$ 368.84
1034-Y-090706	9" X 7" X 6"	\$ 391.13
1034-Y-1006	10" X 10" X 6"	\$ 430.75
1034-Y-1008	10" X 10" X 8"	\$ 487.38
1034-Y-100806	10" X 8" X 6"	\$ 479.96
1034-Y-110908	11" X 9" X 8"	\$ 653.91
1034-Y-1208	12" X 12" X 8"	\$ 477.75
1034-Y-1210	12" X 12" X 10"	\$ 614.65
1034-Y-121008	12" X 10" X 8"	\$ 562.65
1034-Y-1410	14" X 14" X 10"	\$ 596.84
1034-Y-1412	14" X 14" X 12"	\$ 784.98
1034-Y-141210	14" X 12" X 10"	\$ 693.44
1034-Y-1612	16" X 16" X 12"	\$ 710.58
1034-Y-1614	16" X 16" X 14"	\$ 908.00
1034-Y-161412	16" X 14" X 12"	\$ 796.84
1034-Y-1814	18" X 18" X 14"	\$1,079.68
1034-Y-181614	18" X 16" X 14"	\$ 951.04
1034-Y-1816	18" X 18" X 16"	\$1,198.20
1034-Y-2016	20" X 20" X 16"	\$1,369.23
1034-Y-2018	20" X 20" X 18"	\$1,524.48
1034-Y-201816	20" X 18" X 16"	\$1,390.64
1034-Y-2420	24" X 24" X 20"	\$1,901.93
1034-Y-242018	24" X 20" X 18"	\$1,925.37

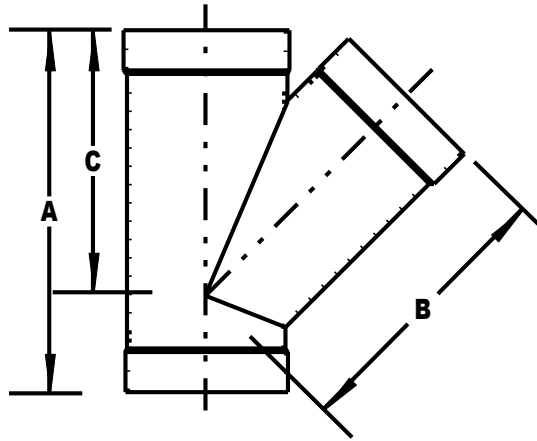




# HARRISON MACHINE & PLASTIC CORPORATION

11614 ST. RT. 88 | GARRETTSVILLE, OH

Ph. 330.527.5641 | Fax 330.527.5640



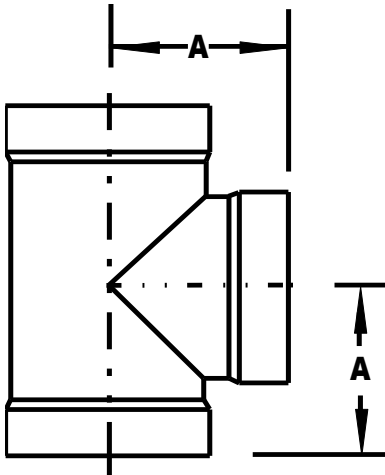
<b>45° Wye</b>		
<b>Belled</b>		
<b>Part No.</b>	<b>Size</b>	<b>List Price</b>
1034-Y-03	3" X 3" X 3"	\$ 182.66
1034-Y-04	4" X 4" X 4"	\$ 219.16
1034-Y-06	6" X 6" X 6"	\$ 336.99
1034-Y-07	7" X 7" X 7"	\$ 397.34
1034-Y-08	8" X 8" X 8"	\$ 402.54
1034-Y-09	9" X 9" X 9"	\$ 465.97
1034-Y-10	10" X 10" X 10"	\$ 505.48
1034-Y-11	11" X 11" X 11"	\$ 646.53
1034-Y-12	12" X 12" X 12"	\$ 669.84
1034-Y-14	14" X 14" X 14"	\$ 775.93
1034-Y-16	16" X 16" X 16"	\$ 919.44
1034-Y-18	18" X 18" X 18"	\$ 1,285.58
1034-Y-20	20" X 20" X 20"	\$ 1,535.18
1034-Y-24	24" X 24" X 24"	\$ 2,096.85



# HARRISON MACHINE & PLASTIC CORPORATION

11614 ST. RT. 88 | GARRETTSVILLE, OH

Ph. 330.527.5641 | Fax 330.527.5640



<b>Tee (Reducing)</b>		
<b>Belled</b>		
<b>Part No.</b>	<b>Size</b>	<b>List Price</b>
1034-T-0302	3" X 3" X 2"	\$ 136.97
1034-T-0403	4" X 4" X 3"	\$ 164.39
1034-T-0604	6" X 6" X 4"	\$ 228.84
1034-T-060404	6" X 4" X 4"	\$ 311.87
1034-T-0804	8" X 8" X 4"	\$ 279.37
1034-T-0806	8" X 8" X 6"	\$ 301.63
1034-T-1006	10" X 10" X 6"	\$ 324.07
1034-T-1008	10" X 10" X 8"	\$ 392.14
1034-T-100808	10" X 8" X 8"	\$ 449.24
1034-T-1206	12" X 12" X 6"	\$ 424.36
1034-T-1208	12" X 12" X 8"	\$ 383.53
1034-T-1210	12" X 12" X 10"	\$ 516.28
1034-T-1410	14" X 14" X 10"	\$ 501.41
1034-T-1412	14" X 14" X 12"	\$ 632.40
1034-T-1612	16" X 16" X 12"	\$ 686.47
1034-T-1614	16" X 16" X 14"	\$ 728.07
1034-T-1814	18" X 18" X 14"	\$ 819.61
1034-T-1816	18" X 18" X 16"	\$ 852.91
1034-T-2016	20" X 20" X 16"	\$ 1,081.72
1034-T-2018	20" X 20" X 18"	\$ 1,231.48
1034-T-2418	24" X 24" X 18"	\$ 1,431.17
1034-T-2420	24" X 24" X 20"	\$ 1,522.72

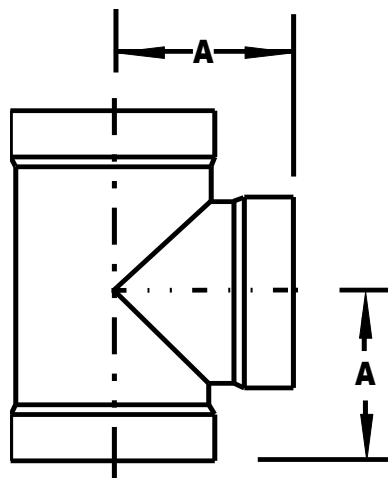


# HARRISON MACHINE & PLASTIC CORPORATION

11614 ST. RT. 88 | GARRETTSVILLE, OH

Ph. 330.527.5641 | Fax 330.527.5640

<b>Tee</b>		
<b>Belled</b>		
<b>Part No.</b>	<b>Size</b>	<b>List Price</b>
<b>1034-T-03</b>	<b>3" X 3" X 3"</b>	<b>\$ 159.81</b>
<b>1034-T-04</b>	<b>4" X 4" X 4"</b>	<b>\$ 199.69</b>
<b>1034-T-06</b>	<b>6" X 6" X 6"</b>	<b>\$ 242.36</b>
<b>1034-T-07</b>	<b>7" X 7" X 7"</b>	<b>\$ 272.95</b>
<b>1034-T-08</b>	<b>8" X 8" X 8"</b>	<b>\$ 349.75</b>
<b>1034-T-09</b>	<b>9" X 9" X 9"</b>	<b>\$ 357.80</b>
<b>1034-T-10</b>	<b>10" X 10" X 10"</b>	<b>\$ 368.61</b>
<b>1034-T-11</b>	<b>11" X 11" X 11"</b>	<b>\$ 391.08</b>
<b>1034-T-12</b>	<b>12" X 12" X 12"</b>	<b>\$ 428.54</b>
<b>1034-T-14</b>	<b>14" X 14" X 14"</b>	<b>\$ 495.11</b>
<b>1034-T-16</b>	<b>16" X 16" X 16"</b>	<b>\$ 640.68</b>
<b>1034-T-18</b>	<b>18" X 18" X 18"</b>	<b>\$ 998.47</b>
<b>1034-T-20</b>	<b>20" X 20" X 20"</b>	<b>\$1,231.48</b>
<b>1034-T-24</b>	<b>24" X 24" X 24"</b>	<b>\$1,614.22</b>



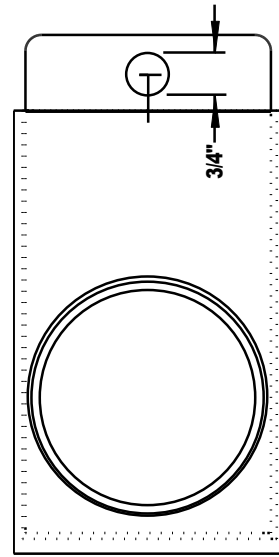
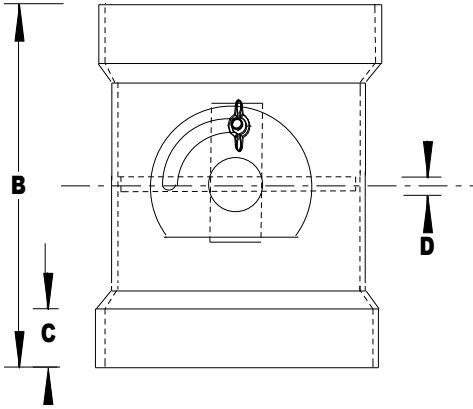




# HARRISON MACHINE & PLASTIC CORPORATION

11614 ST. RT. 88 | GARRETTSVILLE, OH

Ph. 330.527.5641 | Fax 330.527.5640



<i>Butterfly Damper</i>		
Belled		
Part No.	Size	List Price
1034-BD-02	2"	\$ 238.15
1034-BD-03	3"	\$ 247.12
1034-BD-04	4"	\$ 257.68
1034-BD-05	5"	\$ 289.53
1034-BD-06	6"	\$ 320.86
1034-BD-07	7"	\$ 322.39
1034-BD-08	8"	\$ 325.15
1034-BD-09	9"	\$ 341.56
1034-BD-10	10"	\$ 358.84
1034-BD-11	11"	\$ 382.15
1034-BD-12	12"	\$ 399.39
1034-BD-14	14"	\$ 546.29
1034-BD-16	16"	\$ 598.20
1034-BD-18	18"	\$ 810.56
1034-BD-20	20"	\$ 964.73
1034-BD-24	24"	\$ 1,268.67

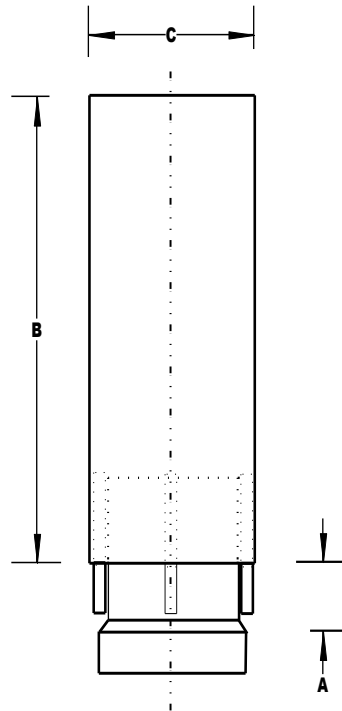
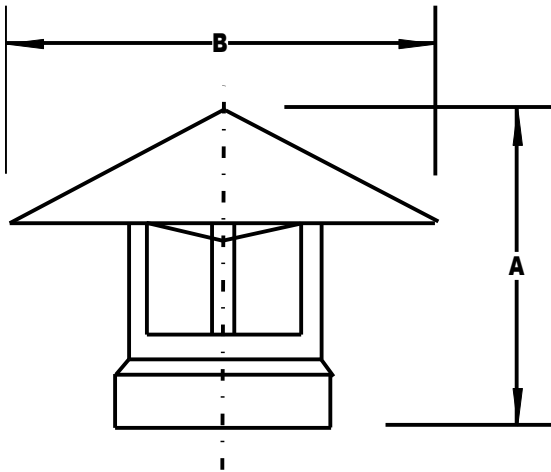
<i>Blastgate</i>		
Belled		
Part No.	Size	List Price
1034-BG-02	2"	\$ 221.37
1034-BG-03	3"	\$ 286.32
1034-BG-04	4"	\$ 268.72
1034-BG-05	5"	\$ 291.84
1034-BG-06	6"	\$ 319.35
1034-BG-07	7"	\$ 360.56
1034-BG-08	8"	\$ 379.96
1034-BG-09	9"	\$ 394.32
1034-BG-10	10"	\$ 406.39
1034-BG-11	11"	\$ 463.15
1034-BG-12	12"	\$ 486.80
1034-BG-14	14"	\$ 665.18
1034-BG-16	16"	\$ 700.43
1034-BG-18	18"	\$ 863.39
1034-BG-20	20"	\$1,007.24
1034-BG-24	24"	\$1,299.34



# HARRISON MACHINE & PLASTIC CORPORATION

11614 ST. RT. 88 | GARRETTSVILLE, OH

Ph. 330.527.5641 | Fax 330.527.5640



<b>Rain Cap (Style "A")</b>		
<b>Belled</b>		
<b>Part No.</b>	<b>Size</b>	<b>List Price</b>
1034-WCA-02	2"	\$ 402.53
1034-WCA-03	3"	\$ 332.00
1034-WCA-04	4"	\$ 362.07
1034-WCA-05	5"	\$ 428.15
1034-WCA-06	6"	\$ 449.63
1034-WCA-07	7"	\$ 470.92
1034-WCA-08	8"	\$ 494.64
1034-WCA-09	9"	\$ 513.73
1034-WCA-10	10"	\$ 616.33
1034-WCA-11	11"	\$ 631.47
1034-WCA-12	12"	\$ 684.81
1034-WCA-14	14"	\$ 931.04
1034-WCA-16	16"	\$ 732.98
1034-WCA-18	18"	\$ 1,469.66
1034-WCA-20	20"	\$ 1,610.07
1034-WCA-24	24"	\$ 1,914.33

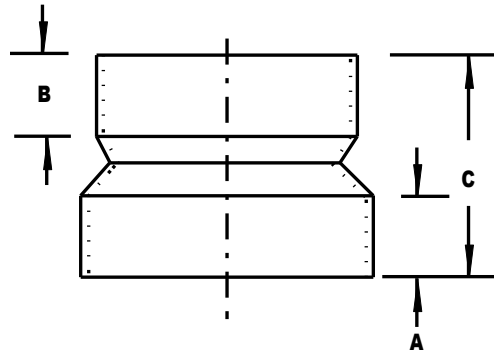
<b>Rain Cap (Style "B")</b>		
<b>Zero Pressure Loss Feature</b>		
<b>Part No.</b>	<b>Size</b>	<b>List Price</b>
1034-WCB-03	3"	\$ 346.75
1034-WCB-04	4"	\$ 408.34
1034-WCB-05	5"	\$ 446.88
1034-WCB-06	6"	\$ 477.77
1034-WCB-07	7"	\$ 500.79
1034-WCB-08	8"	\$ 531.22
1034-WCB-09	9"	\$ 616.06
1034-WCB-10	10"	\$ 667.80
1034-WCB-11	11"	\$ 720.84
1034-WCB-12	12"	\$ 749.20
1034-WCB-14	14"	\$ 1,006.27
1034-WCB-16	16"	\$ 1,326.76
1034-WCB-18	18"	\$ 1,614.78
1034-WCB-20	20"	\$ 1,722.40
1034-WCB-24	24"	\$ 2,176.44



# HARRISON MACHINE & PLASTIC CORPORATION

11614 ST. RT. 88 | GARRETTSVILLE, OH

Ph. 330.527.5641 | Fax 330.527.5640



<i>Rolled Reducer Coupling</i>		
Bell X Bell		
Part No.	Size	List Price
<b>1034-RCR-0604</b>	<b>6" X 4"</b>	<b>\$ 301.71</b>
<b>1034-RCR-0804</b>	<b>8" X 4"</b>	<b>\$ 357.95</b>
<b>1034-RCR-0806</b>	<b>8" X 6"</b>	<b>\$ 349.25</b>
<b>1034-RCR-1006</b>	<b>10" X 6"</b>	<b>\$ 410.66</b>
<b>1034-RCR-1008</b>	<b>10" X 8"</b>	<b>\$ 397.18</b>
<b>1034-RCR-1208</b>	<b>12" X 8"</b>	<b>\$ 466.31</b>
<b>1034-RCR-1210</b>	<b>12" X 10"</b>	<b>\$ 449.51</b>
<b>1034-RCR-1410</b>	<b>14" X 10"</b>	<b>\$ 508.33</b>
<b>1034-RCR-1412</b>	<b>14" X 12"</b>	<b>\$ 545.55</b>
<b>1034-RCR-1612</b>	<b>16" X 12"</b>	<b>\$ 565.77</b>
<b>1034-RCR-1614</b>	<b>16" X 14"</b>	<b>\$ 539.86</b>
<b>1034-RCR-1814</b>	<b>18" X 14"</b>	<b>\$ 671.11</b>
<b>1034-RCR-1816</b>	<b>18" X 16"</b>	<b>\$ 644.84</b>
<b>1034-RCR-2016</b>	<b>20" X 16"</b>	<b>\$ 639.82</b>
<b>1034-RCR-2018</b>	<b>20" X 18"</b>	<b>\$ 750.47</b>
<b>1034-RCR-2420</b>	<b>24" X 20"</b>	<b>\$ 785.98</b>



# HARRISON MACHINE & PLASTIC CORPORATION

11614 ST. RT. 88 | GARRETTSVILLE, OH

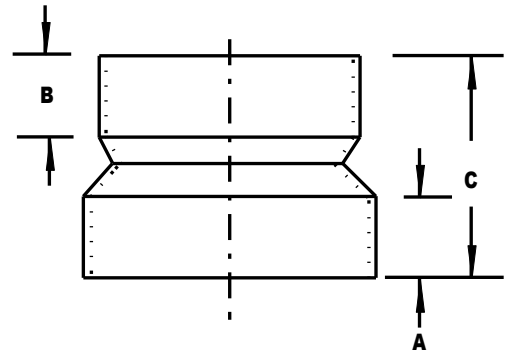
Ph. 330.527.5641 | Fax 330.527.5640

## Reducer Coupling

### Bell X Bell

Part No.	Size	List Price
1034-RC-0302	3" X 2"	\$ 90.66
1034-RC-0402	4" X 2"	\$ 105.23
1034-RC-0403	4" X 3"	\$ 75.71
1034-RC-0602	6" X 2"	\$ 214.72
1034-RC-0603	6" X 3"	\$ 211.49
1034-RC-0604	6" X 4"	\$ 80.18
1034-RC-0803	8" X 3"	\$ 350.52
1034-RC-0804	8" X 4"	\$ 217.05
1034-RC-0806	8" X 6"	\$ 94.72
1034-RC-1005	10" X 5"	\$ 480.22
1034-RC-1006	10" X 6"	\$ 259.37
1034-RC-1008	10" X 8"	\$ 123.01
1034-RC-1009	10" X 9"	\$ 172.25
1034-RC-1208	12" X 8"	\$ 307.79
1034-RC-1210	12" X 10"	\$ 138.54
1034-RC-1410	14" X 10"	\$ 330.91
1034-RC-1412	14" X 12"	\$ 196.02
1034-RC-1612	16" X 12"	\$ 381.87
1034-RC-1614	16" X 14"	\$ 239.62
1034-RC-1814	18" X 14"	\$ 600.04
1034-RC-1816	18" X 16"	\$ 288.85

*Rolled reducers also available*





# HARRISON MACHINE & PLASTIC CORPORATION

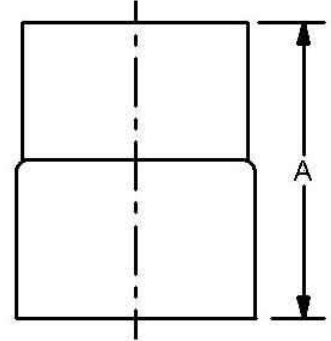
11614 ST. RT. 88 | GARRETTSVILLE, OH

Ph. 330.527.5641 | Fax 330.527.5640

## Flex Hose Adapter

### Hose Spigot X Duct Spigot

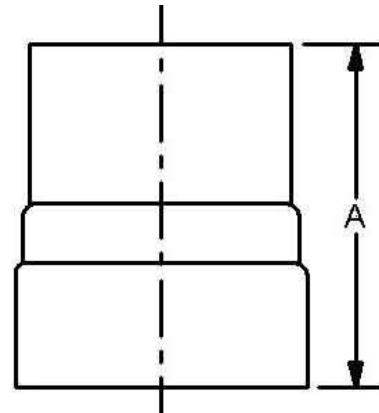
Part No.	Size	Spigot	List Price
	O.D. (Hose)	P.E. (Duct)	
1033-FHA-02	2"	2.375"	\$ 33.13
1033-FHA-03	3"	3.500"	\$ 42.27
1033-FHA-04	4"	4.500"	\$ 43.40
1033-FHA-05	5"	5.563"	\$ 70.56
1033-FHA-06	6"	6.625"	\$ 76.74
1033-FHA-07	7"	7.375"	\$ 82.19
1033-FHA-08	8"	8.625"	\$ 89.02
1033-FHA-10	10"	10.750"	\$ 113.01
1033-FHA-12	12"	12.750"	\$ 141.57
1033-FHA-14	14"	14.000"	\$ 58.42
1033-FHA-16	16"	16.000"	\$ 68.02



## Flex Hose Adapter

### Hose Spigot X Duct Bell

Part No.	Size	List Price
1034-FHA-02	2"	\$ 47.62
1034-FHA-03	3"	\$ 59.22
1034-FHA-04	4"	\$ 60.22
1034-FHA-05	5"	\$ 85.55
1034-FHA-06	6"	\$ 90.66
1034-FHA-08	8"	\$ 109.48
1034-FHA-10	10"	\$ 132.97
1034-FHA-12	12"	\$ 174.07
1034-FHA-14	14"	\$ 61.86
1034-FHA-16	16"	\$ 72.02



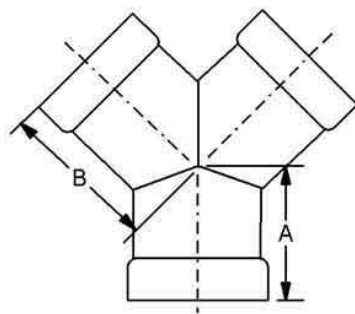
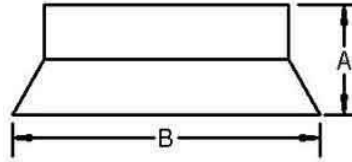


# HARRISON MACHINE & PLASTIC CORPORATION

11614 ST. RT. 88 | GARRETTSVILLE, OH

Ph. 330.527.5641 | Fax 330.527.5640

<b>Rainskirt</b>		
<b>Belled</b>		
<b>Part No.</b>	<b>Size</b>	<b>List price</b>
1034-RS-02	2"	\$ 205.88
1034-RS-03	3"	\$ 227.39
1034-RS-04	4"	\$ 259.95
1034-RS-05	5"	\$ 281.63
1034-RS-06	6"	\$ 303.35
1034-RS-08	8"	\$ 314.16
1034-RS-10	10"	\$ 324.93
1034-RS-12	12"	\$ 379.07
1034-RS-14	14"	\$ 444.12
1034-RS-16	16"	\$ 584.99
1034-RS-18	18"	\$ 650.03
1034-RS-20	20"	\$ 671.55
1034-RS-24	24"	\$ 779.95



<b>True Wye</b>		
<b>Belled</b>		
<b>Part No.</b>	<b>Size</b>	<b>List Price</b>
1034-TY-02	2"	\$ 280.79
1034-TY-03	3"	\$ 283.96
1034-TY-04	4"	\$ 288.08
1034-TY-05	5"	\$ 293.35
1034-TY-06	6"	\$ 313.40
1034-TY-07	7"	\$ 343.27
1034-TY-08	8"	\$ 381.53
1034-TY-09	9"	\$ 402.07
1034-TY-10	10"	\$ 481.96
1034-TY-11	11"	\$ 494.83
1034-TY-12	12"	\$ 595.81
1034-TY-14	14"	\$ 750.48
1034-TY-16	16"	\$ 915.74
1034-TY-18	18"	\$ 1,554.62
1034-TY-20	20"	\$ 1,967.77
1034-TY-24	24"	\$ 2,345.07



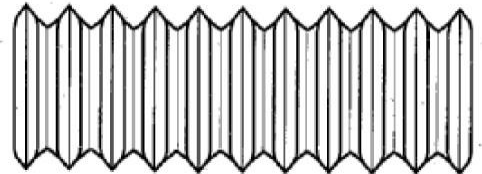
## HARRISON MACHINE & PLASTIC CORPORATION

11614 ST. RT. 88 | GARRETTSVILLE, OH

Ph. 330.527.5641 | Fax 330.527.5640

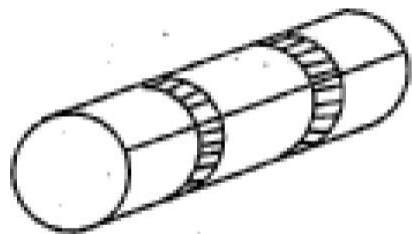
### *Flexible PVC Duct*

Part No.	Size	List Price
1033-FH-02	2"	\$ 9.65
1033-FH-03	3"	\$ 15.27
1033-FH-04	4"	\$ 17.91
1033-FH-05	5"	\$ 19.37
1033-FH-06	6"	\$ 20.52
1033-FH-07	7"	\$ 26.16
1033-FH-08	8"	\$ 28.77
1033-FH-10	10"	\$ 36.54
1033-FH-12	12"	\$ 44.26
1033-FH-14	14"	\$ 51.54
1033-FH-16	16"	\$ 62.35



### *Flexible Duct Coupling*

Part No.	Size	List price
1034-FC-03	3"	\$ 114.83
1034-FC-04	4"	\$ 124.02
1034-FC-06	6"	\$ 128.63
1034-FC-07	7"	\$ 137.18
1034-FC-08	8"	\$ 144.65
1034-FC-09	9"	\$ 152.14
1034-FC-10	10"	\$ 160.72
1034-FC-12	12"	\$ 180.87
1034-FC-14	14"	\$ 200.94
1034-FC-16	16"	\$ 217.00
1034-FC-18	18"	\$ 274.22
1034-FC-20	20"	\$ 332.71
1034-FC-24	24"	\$ 411.73

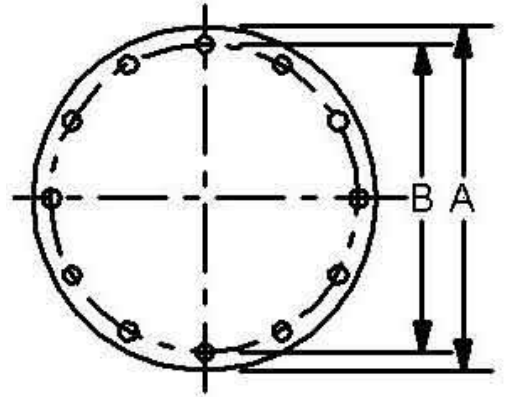
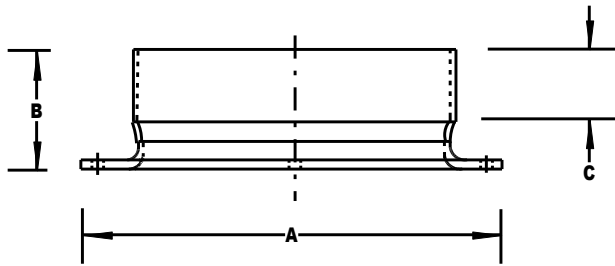




# HARRISON MACHINE & PLASTIC CORPORATION

11614 ST. RT. 88 | GARRETTSVILLE, OH

Ph. 330.527.5641 | Fax 330.527.5640



<b>Flange</b>		
<b>Belled</b>		
Part No.	Size	List Price
1034-SF-02	2"	\$ 53.53
1034-SF-03	3"	\$ 61.22
1034-SF-04	4"	\$ 87.87
1034-SF-05	5"	\$ 93.17
1034-SF-06	6"	\$ 98.12
1034-SF-07	7"	\$ 115.64
1034-SF-08	8"	\$ 125.56
1034-SF-09	9"	\$ 154.68
1034-SF-10	10"	\$ 130.11
1034-SF-11	11"	\$ 158.80
1034-SF-12	12"	\$ 149.32
1034-SF-14	14"	\$ 176.19
1034-SF-16	16"	\$ 219.17
1034-SF-18	18"	\$ 335.23
1034-SF-20	20"	\$ 388.77
1034-SF-24	24"	\$ 426.86

*Duct Drilling, Not 150#*

<b>Blind Flange</b>		
Part No.	Size	List Price
1034-BF-03	3"	\$ 62.84
1034-BF-04	4"	\$ 72.56
1034-BF-05	5"	\$ 75.67
1034-BF-06	6"	\$ 107.98
1034-BF-07	7"	\$ 116.33
1034-BF-08	8"	\$ 129.25
1034-BF-09	9"	\$ 131.08
1034-BF-10	10"	\$ 133.05
1034-BF-11	11"	\$ 168.03
1034-BF-12	12"	\$ 188.86
1034-BF-14	14"	\$ 237.99
1034-BF-16	16"	\$ 268.40
1034-BF-18	18"	\$ 282.09
1034-BF-20	20"	\$ 308.85
1034-BF-24	24"	\$ 444.64

All blind flanges are 3/16" thick.  
All bolt holes are 5/16" diameter.

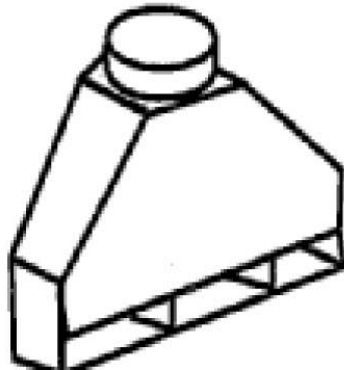




## HARRISON MACHINE & PLASTIC CORPORATION

11614 ST. RT. 88 | GARRETTSVILLE, OH

Ph. 330.527.5641 | Fax 330.527.5640



<b>Rear Exhaust Hood</b>		
<b>Single Slot</b>		
<b>1034-SSH-18</b>	<b>18"</b>	<b>\$ 959.75</b>
<b>1034-SSH-24</b>	<b>24"</b>	<b>\$ 1,039.86</b>
<b>1034-SSH-30</b>	<b>30"</b>	<b>\$ 1,199.84</b>
<b>1034-SSH-36</b>	<b>36"</b>	<b>\$ 1,279.63</b>
<b>1034-SSH-42</b>	<b>42"</b>	<b>\$ 1,441.40</b>
<b>1034-SSH-48</b>	<b>48"</b>	<b>\$ 1,559.62</b>
<b>1034-SSH-54</b>	<b>54"</b>	<b>\$ 1,647.67</b>
<b>1034-SSH-60</b>	<b>60"</b>	<b>\$ 1,719.60</b>
<b>1034-SSH-66</b>	<b>66"</b>	<b>\$ 1,839.63</b>
<b>1034-SSH-72</b>	<b>72"</b>	<b>\$ 2,039.51</b>

**Please Contact factory for prices on:**

**Double Slot, Single Lateral, Double Lateral, and other custom hoods.**



# HARRISON MACHINE & PLASTIC CORPORATION

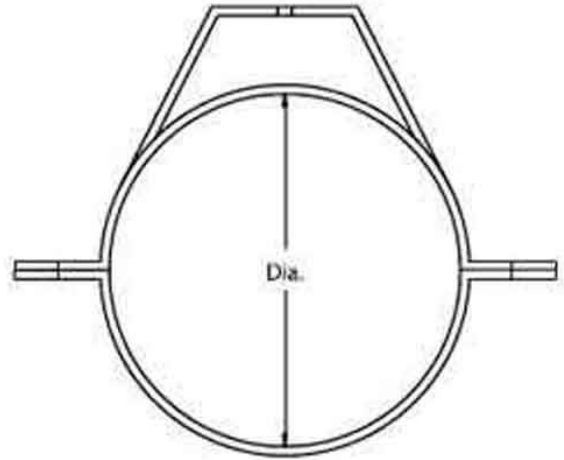
11614 ST. RT. 88 | GARRETTSVILLE, OH

Ph. 330.527.5641 | Fax 330.527.5640

## Pipe Hangers

### Stainless Steel Type 304

Part No.	Size	List price
PH-04	4"	\$ 208.39
PH-06	6"	\$ 211.92
PH-08	8"	\$ 215.44
PH-10	10"	\$ 218.98
PH-12	12"	\$ 222.52
PH-14	14"	\$ 229.58
PH-16	16"	\$ 236.63
PH-18	18"	\$ 240.17
PH-20	20"	\$ 243.71
PH-24	24"	\$ 250.77



**Please Contact factory for prices on:**

Sizes over 24" or otherwise not listed.



## HARRISON MACHINE & PLASTIC CORPORATION

11614 ST. RT. 88 | GARRETTSVILLE, OH

Ph. 330.527.5641 | Fax 330.527.5640



<i>Actuated Butterfly Damper</i>		
Belled		
<b>Part No.</b>	<b>Size</b>	<b>List Price</b>
1034-ABD-02	2"	\$ 503.31
1034-ABD-03	3"	\$ 511.56
1034-ABD-04	4"	\$ 521.28
1034-ABD-05	5"	\$ 550.59
1034-ABD-06	6"	\$ 579.41
1034-ABD-07	7"	\$ 580.82
1034-ABD-08	8"	\$ 583.35
1034-ABD-09	9"	\$ 598.44
1034-ABD-10	10"	\$ 614.36
1034-ABD-11	11"	\$ 635.79
1034-ABD-12	12"	\$ 651.66
1034-ABD-14	14"	\$ 786.80
1034-ABD-16	16"	\$ 834.57
1034-ABD-18	18"	\$ 1,029.94
1034-ABD-20	20"	\$ 1,171.77
1034-ABD-24	24"	\$ 1,451.39



## HARRISON MACHINE & PLASTIC CORPORATION

11614 ST. RT. 88 | GARRETTSVILLE, OH

Ph. 330.527.5641 | Fax 330.527.5640



<b>Roof Flashing</b>		
<b>EPDM</b>		
<b>Part No.</b>	<b>Size</b>	<b>List price</b>
<b>RF-05</b>	<b>4" - 8-1/4"</b>	<b>\$ 39.98</b>
<b>RF-06</b>	<b>4-3/4" - 8-1/4"</b>	<b>\$ 43.66</b>
<b>RF-07</b>	<b>5-1/2" - 11-1/2"</b>	<b>\$ 62.15</b>
<b>RF-08</b>	<b>6-3/4" - 13-1/2"</b>	<b>\$ 82.77</b>
<b>RF-09</b>	<b>9-1/2" - 20-1/2"</b>	<b>\$ 134.46</b>
<b>RF-10</b>	<b>12" - 28-1/2"</b>	<b>\$ 253.16</b>

- Please contact the factory for items not shown in this catalog
- Virtually all reduction sizes are available in tees, wyes, elbows and reducer couplings
- All configurations are also available in plain end (spigot end) end connections
- Pricing for Rear Exhaust (Single and Double) Hoods as well as Lateral (Single and Double) Hoods available on request
- All types of transitions (square to round, rectangular to round) with socket, spigot or flanged connections are available per customer specification