

# **Harrison Machine & Plastic Corporation**



## **HARRISON SUPERDUCT® FUME EXHAUST SYSTEMS**

**PVC DUCT FITTINGS & PVC DUCT PIPE**

**LIST PRICE CATALOG**

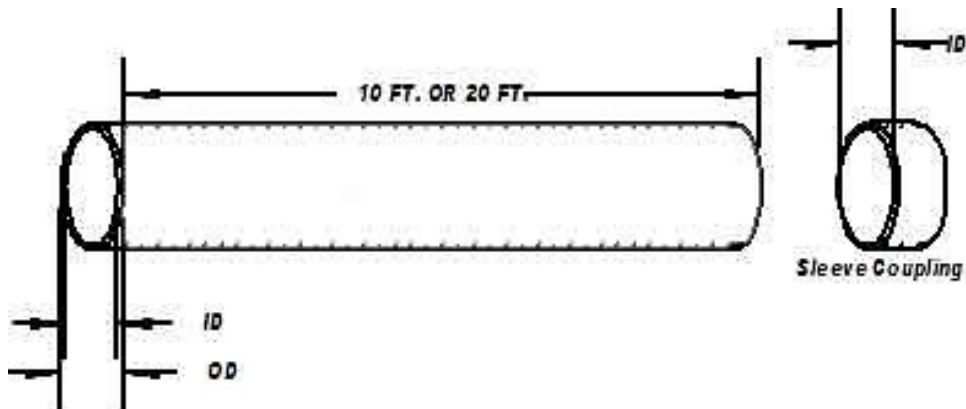
**EFFECTIVE 01-01-2020**



# HARRISON MACHINE & PLASTIC CORPORATION

11614 ST. RT. 88 | GARRETTSVILLE, OH

Ph. 330.527.5641 | Fax 330.527.5640



<b>HARRISON SUPERDUCT®</b>						
<b>PVC DUCT PIPE</b>						
Part No.	Size	O.D.	Wall	Std. Length	List Price Per Ft.	List Price Per Ft.
					10 ft.	20 ft.
	<b>Extruded</b>					
1033-PP-02	2"	2.375"	0.154"	10 ft. or 20 ft.	\$ 4.41	\$ 4.19
1033-PP-03	3"	3.500"	0.216"	10 ft. or 20 ft.	\$ 6.92	\$ 6.59
1033-PP-04	4"	4.500"	0.237"	10 ft. or 20 ft.	\$ 9.74	\$ 9.41
1033-PP-05	5"	5.563"	0.214"	10 ft. or 20 ft.	\$ 16.81	\$ 15.97
1033-PP-06	6"	6.625"	0.187"	10 ft. or 20 ft.	\$ 17.17	\$ 16.29
1033-PP-07	7"	7.375"	0.187"	10 ft. or 20 ft.	\$ 27.60	\$ 26.22
1033-PP-08	8"	8.625"	0.187"	10 ft. or 20 ft.	\$ 24.79	\$ 23.57
1033-PP-09	9"	9.375"	0.187"	10 ft. or 20 ft.	\$ 35.28	\$ 33.52
1033-PP-10	10"	10.750"	0.187"	10 ft. or 20 ft.	\$ 31.44	\$ 29.87
1033-PP-11	11"	11.375"	0.187"	10 ft. or 20 ft.	\$ 41.08	\$ 39.02
1033-PP-12	12"	12.750"	0.187"	10 ft. or 20 ft.	\$ 36.65	\$ 34.85
1033-PP-14	14"	14.000"	0.187"	10 ft. or 20 ft.	\$ 45.85	\$ 43.58
1033-PP-16	16"	16.000"	0.187"	10 ft. or 20 ft.	\$ 53.13	\$ 50.45
1033-PP-18	18"	18.000"	0.187"	10 ft. or 20 ft.	\$ 72.58	\$ 68.96
1033-PP-20	20"	20.000"	0.219"	10 ft. or 20 ft.	\$ 87.57	\$ 83.18
1033-PP-24	24"	24.000"	0.250"	10 ft. or 20 ft.	\$ 120.05	\$ 114.03

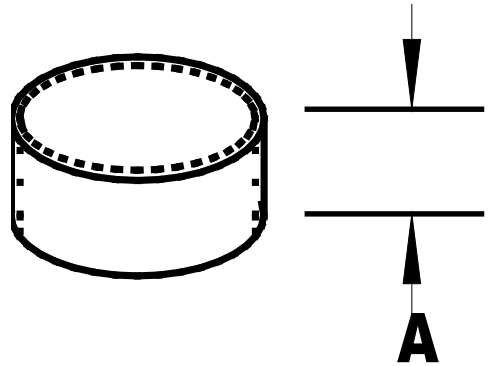
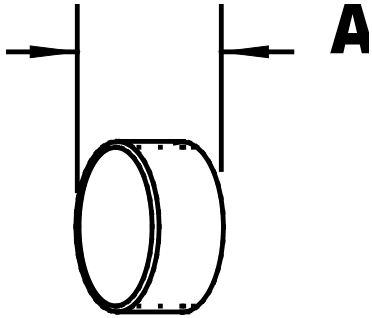
**Duct diameters thru 60" are available. Contact factory for details.**



**HARRISON MACHINE & PLASTIC CORPORATION**

11614 ST. RT. 88 | GARRETTSVILLE, OH

Ph. 330.527.5641 | Fax 330.527.5640



<b>Coupling</b>		
<b>Sleeved</b>		
Part No.	Size	List price
1034-CP-02	2"	\$ 10.95
1034-CP-03	3"	\$ 19.73
1034-CP-04	4"	\$ 27.14
1034-CP-05	5"	\$ 35.73
1034-CP-06	6"	\$ 45.55
1034-CP-07	7"	\$ 56.82
1034-CP-08	8"	\$ 59.32
1034-CP-09	9"	\$ 65.47
1034-CP-10	10"	\$ 68.51
1034-CP-11	11"	\$ 72.83
1034-CP-12	12"	\$ 74.68
1034-CP-14	14"	\$ 95.57
1034-CP-16	16"	\$101.29
1034-CP-18	18"	\$132.05
1034-CP-20	20"	\$158.62
1034-CP-24	24"	\$199.14

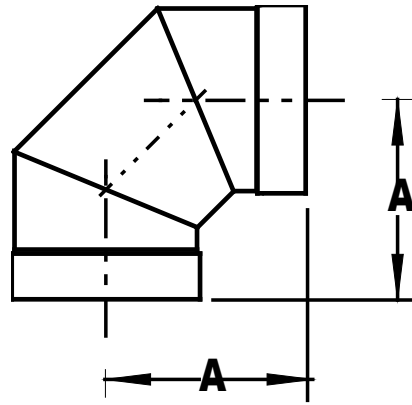
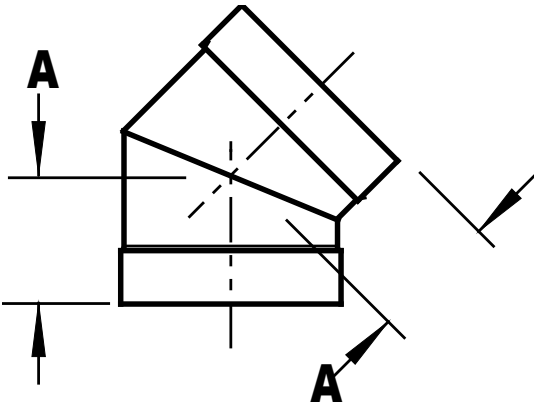
<b>Cap</b>		
<b>Belled</b>		
Part No.	Size	List price
1034-CA-03	3"	\$ 72.19
1034-CA-04	4"	\$ 99.57
1034-CA-06	6"	\$112.69
1034-CA-08	8"	\$116.38
1034-CA-10	10"	\$127.86
1034-CA-11	11"	\$128.69
1034-CA-12	12"	\$131.58
1034-CA-14	14"	\$212.73
1034-CA-16	16"	\$234.51
1034-CA-18	18"	\$266.52
1034-CA-20	20"	\$391.22
1034-CA-24	24"	\$415.86



# HARRISON MACHINE & PLASTIC CORPORATION

11614 ST. RT. 88 | GARRETTSVILLE, OH

Ph. 330.527.5641 | Fax 330.527.5640



<b>45° Elbow</b>		
<b>Belled (2 piece)</b>		
<b>Part No.</b>	<b>Size</b>	<b>List Price</b>
1034-45-02	2"	\$ 102.47
1034-45-03	3"	\$ 111.28
1034-45-04	4"	\$ 128.66
1034-45-05	5"	\$ 137.25
1034-45-06	6"	\$ 145.83
1034-45-07	7"	\$ 170.48
1034-45-08	8"	\$ 183.12
1034-45-09	9"	\$ 189.85
1034-45-10	10"	\$ 199.29
1034-45-11	11"	\$ 232.55
1034-45-12	12"	\$ 244.09
1034-45-14	14"	\$ 288.92
1034-45-16	16"	\$ 347.52
1034-45-18	18"	\$ 519.42
1034-45-20	20"	\$ 722.08
1034-45-24	24"	\$ 910.16

<b>90° Elbow</b>		
<b>Belled (3 piece)</b>		
<b>Part No.</b>	<b>Size</b>	<b>List Price</b>
1034-90-02	2"	\$ 125.49
1034-90-03	3"	\$ 158.47
1034-90-04	4"	\$ 171.11
1034-90-05	5"	\$ 184.88
1034-90-06	6"	\$ 208.88
1034-90-07	7"	\$ 231.31
1034-90-08	8"	\$ 234.35
1034-90-09	9"	\$ 264.27
1034-90-10	10"	\$ 284.77
1034-90-11	11"	\$ 295.65
1034-90-12	12"	\$ 323.99
1034-90-14	14"	\$ 373.13
1034-90-16	16"	\$ 487.25
1034-90-18	18"	\$ 676.15
1034-90-20	20"	\$ 1,011.65
1034-90-24	24"	\$ 1,242.96



# HARRISON MACHINE & PLASTIC CORPORATION

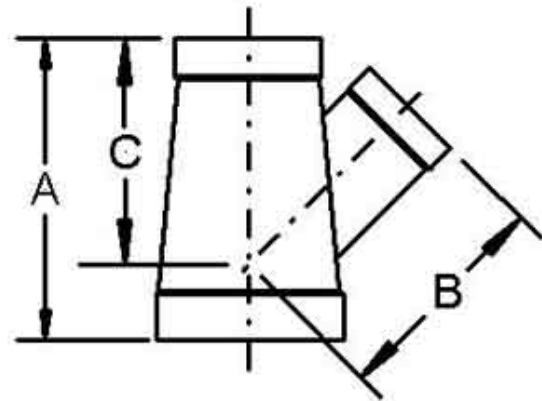
11614 ST. RT. 88 | GARRETTSVILLE, OH

Ph. 330.527.5641 | Fax 330.527.5640

## 45° Wye (Reducing)

Belled

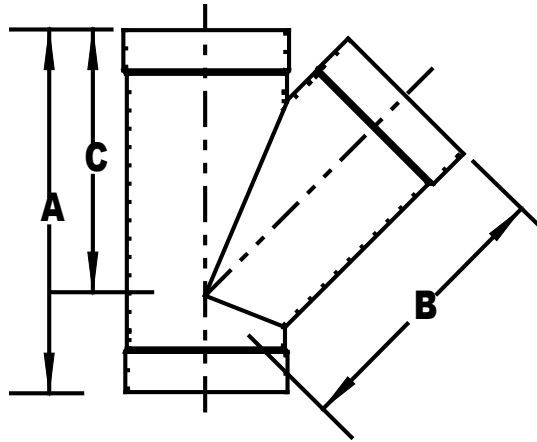
Part No.	Size	List Price
1034-Y-0403	4" X 4" X 3"	\$ 233.22
1034-Y-040302	4" X 3" X 2"	\$ 269.28
1034-Y-050403	5" X 4" X 3"	\$ 317.67
1034-Y-0604	6" X 6" X 4"	\$ 348.18
1034-Y-060403	6" X 4" X 3"	\$ 304.15
1034-Y-070605	7" X 6" X 5"	\$ 363.32
1034-Y-0804	8" X 8" X 4"	\$ 423.72
1034-Y-0806	8" X 8" X 6"	\$ 389.76
1034-Y-080604	8" X 6" X 4"	\$ 388.25
1034-Y-090706	9" X 7" X 6"	\$ 411.72
1034-Y-1006	10" X 10" X 6"	\$ 453.42
1034-Y-1008	10" X 10" X 8"	\$ 513.03
1034-Y-100806	10" X 8" X 6"	\$ 505.22
1034-Y-110908	11" X 9" X 8"	\$ 688.33
1034-Y-1208	12" X 12" X 8"	\$ 502.89
1034-Y-1210	12" X 12" X 10"	\$ 647.00
1034-Y-121008	12" X 10" X 8"	\$ 592.26
1034-Y-1410	14" X 14" X 10"	\$ 628.25
1034-Y-1412	14" X 14" X 12"	\$ 826.29
1034-Y-141210	14" X 12" X 10"	\$ 729.94
1034-Y-1612	16" X 16" X 12"	\$ 710.58
1034-Y-1614	16" X 16" X 14"	\$ 955.79
1034-Y-161412	16" X 14" X 12"	\$ 838.78
1034-Y-1814	18" X 18" X 14"	\$ 1,136.51
1034-Y-181614	18" X 16" X 14"	\$ 1,001.09
1034-Y-1816	18" X 18" X 16"	\$ 1,261.26
1034-Y-2016	20" X 20" X 16"	\$ 1,441.29
1034-Y-2018	20" X 20" X 18"	\$ 1,604.72
1034-Y-201816	20" X 18" X 16"	\$ 1,463.83
1034-Y-2420	24" X 24" X 20"	\$ 2,002.03
1034-Y-242018	24" X 20" X 18"	\$ 2,026.71





**HARRISON MACHINE & PLASTIC CORPORATION**

11614 ST. RT. 88 | GARRETTSVILLE, OH  
 Ph. 330.527.5641 | Fax 330.527.5640



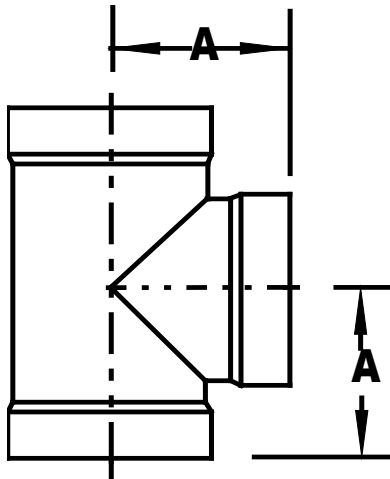
<b>45° Wye</b>		
<b>Belled</b>		
<b>Part No.</b>	<b>Size</b>	<b>List Price</b>
1034-Y-03	3" X 3" X 3"	\$ 192.27
1034-Y-04	4" X 4" X 4"	\$ 230.69
1034-Y-06	6" X 6" X 6"	\$ 354.73
1034-Y-07	7" X 7" X 7"	\$ 418.25
1034-Y-08	8" X 8" X 8"	\$ 423.73
1034-Y-09	9" X 9" X 9"	\$ 490.49
1034-Y-10	10" X 10" X 10"	\$ 532.08
1034-Y-11	11" X 11" X 11"	\$ 680.56
1034-Y-12	12" X 12" X 12"	\$ 705.09
1034-Y-14	14" X 14" X 14"	\$ 816.77
1034-Y-16	16" X 16" X 16"	\$ 967.83
1034-Y-18	18" X 18" X 18"	\$ 1,353.24
1034-Y-20	20" X 20" X 20"	\$ 1,615.98
1034-Y-24	24" X 24" X 24"	\$ 2,207.21



# HARRISON MACHINE & PLASTIC CORPORATION

11614 ST. RT. 88 | GARRETTSVILLE, OH

Ph. 330.527.5641 | Fax 330.527.5640



<b>Tee (Reducing)</b>		
<b>Belled</b>		
<b>Part No.</b>	<b>Size</b>	<b>List Price</b>
1034-T-0302	3" X 3" X 2"	\$ 144.18
1034-T-0403	4" X 4" X 3"	\$ 173.04
1034-T-0604	6" X 6" X 4"	\$ 240.88
1034-T-060404	6" X 4" X 4"	\$ 328.28
1034-T-0804	8" X 8" X 4"	\$ 294.07
1034-T-0806	8" X 8" X 6"	\$ 317.51
1034-T-1006	10" X 10" X 6"	\$ 341.13
1034-T-1008	10" X 10" X 8"	\$ 412.78
1034-T-100808	10" X 8" X 8"	\$ 472.88
1034-T-1206	12" X 12" X 6"	\$ 446.69
1034-T-1208	12" X 12" X 8"	\$ 403.72
1034-T-1210	12" X 12" X 10"	\$ 543.45
1034-T-1410	14" X 14" X 10"	\$ 573.69
1034-T-1412	14" X 14" X 12"	\$ 665.68
1034-T-1612	16" X 16" X 12"	\$ 729.25
1034-T-1614	16" X 16" X 14"	\$ 766.39
1034-T-1814	18" X 18" X 14"	\$ 862.75
1034-T-1816	18" X 18" X 16"	\$ 897.80
1034-T-2016	20" X 20" X 16"	\$ 1,138.65
1034-T-2018	20" X 20" X 18"	\$ 1,296.29
1034-T-2418	24" X 24" X 18"	\$ 1,506.49
1034-T-2420	24" X 24" X 20"	\$ 1,602.86

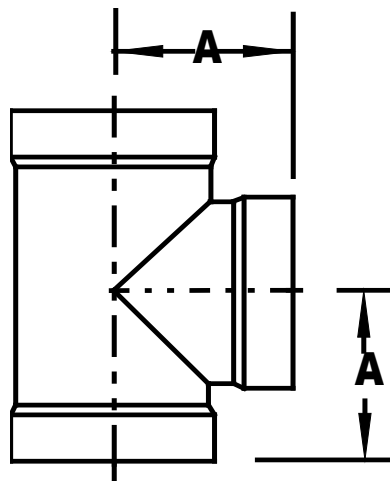


# HARRISON MACHINE & PLASTIC CORPORATION

11614 ST. RT. 88 | GARRETTSVILLE, OH

Ph. 330.527.5641 | Fax 330.527.5640

<b>Tee</b>		
<b>Belled</b>		
<b>Part No.</b>	<b>Size</b>	<b>List Price</b>
1034-T-03	3" X 3" X 3"	\$ 168.22
1034-T-04	4" X 4" X 4"	\$ 210.20
1034-T-06	6" X 6" X 6"	\$ 255.12
1034-T-07	7" X 7" X 7"	\$ 287.32
1034-T-08	8" X 8" X 8"	\$ 368.16
1034-T-09	9" X 9" X 9"	\$ 376.63
1034-T-10	10" X 10" X 10"	\$ 388.01
1034-T-11	11" X 11" X 11"	\$ 411.66
1034-T-12	12" X 12" X 12"	\$ 451.09
1034-T-14	14" X 14" X 14"	\$ 521.17
1034-T-16	16" X 16" X 16"	\$ 674.40
1034-T-18	18" X 18" X 18"	\$ 1,051.02
1034-T-20	20" X 20" X 20"	\$ 1,296.29
1034-T-24	24" X 24" X 24"	\$ 1,699.18



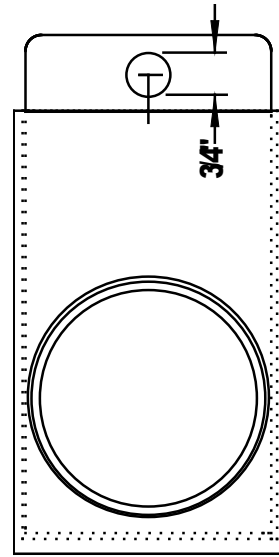
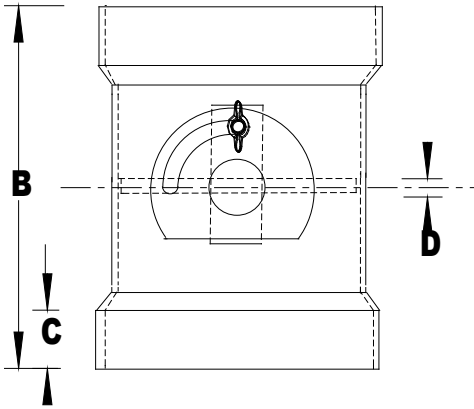




# HARRISON MACHINE & PLASTIC CORPORATION

11614 ST. RT. 88 | GARRETTSVILLE, OH

Ph. 330.527.5641 | Fax 330.527.5640



<i>Butterfly Damper</i>		
Belled		
Part No.	Size	List Price
1034-BD-02	2"	\$ 250.68
1034-BD-03	3"	\$ 260.13
1034-BD-04	4"	\$ 271.24
1034-BD-05	5"	\$ 304.77
1034-BD-06	6"	\$ 337.75
1034-BD-07	7"	\$ 339.36
1034-BD-08	8"	\$ 342.26
1034-BD-09	9"	\$ 359.54
1034-BD-10	10"	\$ 377.73
1034-BD-11	11"	\$ 402.26
1034-BD-12	12"	\$ 420.41
1034-BD-14	14"	\$ 575.04
1034-BD-16	16"	\$ 629.68
1034-BD-18	18"	\$ 853.22
1034-BD-20	20"	\$ 1,015.51
1034-BD-24	24"	\$ 1,335.44

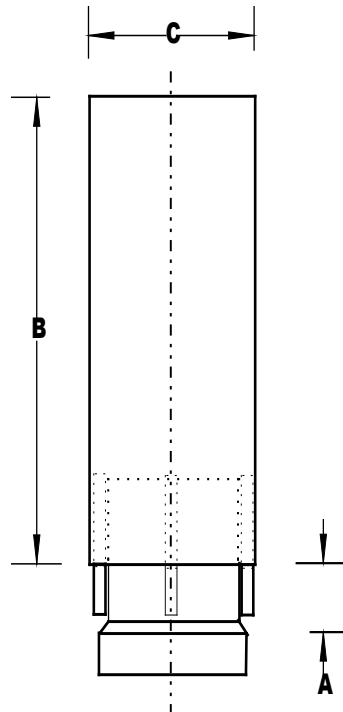
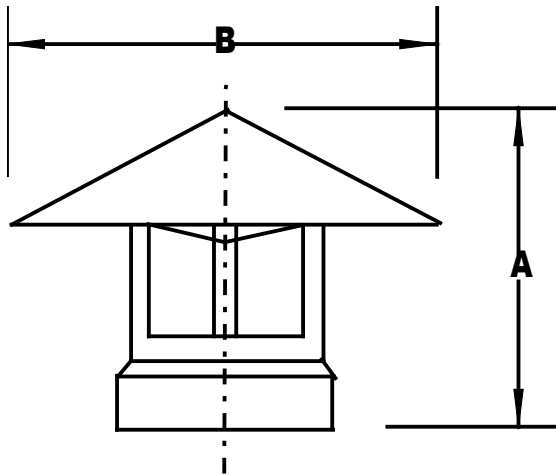
<i>Blastgate</i>		
Belled		
Part No.	Size	List Price
1034-BG-02	2"	\$ 233.02
1034-BG-03	3"	\$ 301.39
1034-BG-04	4"	\$ 282.86
1034-BG-05	5"	\$ 307.20
1034-BG-06	6"	\$ 336.16
1034-BG-07	7"	\$ 379.54
1034-BG-08	8"	\$ 399.96
1034-BG-09	9"	\$ 415.07
1034-BG-10	10"	\$ 427.78
1034-BG-11	11"	\$ 487.53
1034-BG-12	12"	\$ 512.42
1034-BG-14	14"	\$ 700.19
1034-BG-16	16"	\$ 737.29
1034-BG-18	18"	\$ 908.83
1034-BG-20	20"	\$ 1,060.25
1034-BG-24	24"	\$ 1,367.73



# HARRISON MACHINE & PLASTIC CORPORATION

11614 ST. RT. 88 | GARRETTSVILLE, OH

Ph. 330.527.5641 | Fax 330.527.5640



## Rain Cap (Style "A")

Belled

Part No.	Size	List Price
1034-WCA-02	2"	\$ 423.72
1034-WCA-03	3"	\$ 349.47
1034-WCA-04	4"	\$ 381.13
1034-WCA-05	5"	\$ 450.68
1034-WCA-06	6"	\$ 473.95
1034-WCA-07	7"	\$ 495.71
1034-WCA-08	8"	\$ 520.67
1034-WCA-09	9"	\$ 540.77
1034-WCA-10	10"	\$ 648.77
1034-WCA-11	11"	\$ 664.71
1034-WCA-12	12"	\$ 720.85
1034-WCA-14	14"	\$ 980.04
1034-WCA-16	16"	\$ 1,074.05
1034-WCA-18	18"	\$ 1,547.01
1034-WCA-20	20"	\$ 1,694.81
1034-WCA-24	24"	\$ 2,015.08

## Rain Cap (Style "B")

Zero Pressure Loss Feature

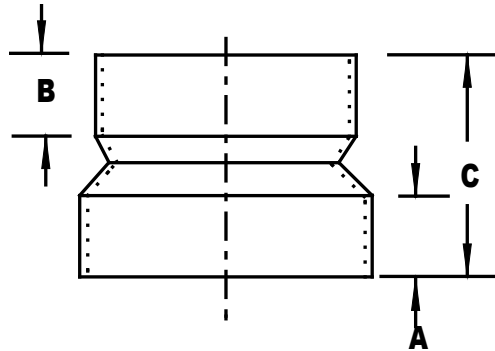
Part No.	Size	List Price
1034-WCB-03	3"	\$ 365.00
1034-WCB-04	4"	\$ 429.83
1034-WCB-05	5"	\$ 470.40
1034-WCB-06	6"	\$ 502.92
1034-WCB-07	7"	\$ 527.15
1034-WCB-08	8"	\$ 559.18
1034-WCB-09	9"	\$ 648.48
1034-WCB-10	10"	\$ 702.95
1034-WCB-11	11"	\$ 758.78
1034-WCB-12	12"	\$ 788.63
1034-WCB-14	14"	\$ 1,059.23
1034-WCB-16	16"	\$ 1,396.59
1034-WCB-18	18"	\$ 1,699.77
1034-WCB-20	20"	\$ 1,813.05
1034-WCB-24	24"	\$ 2,290.99



# HARRISON MACHINE & PLASTIC CORPORATION

11614 ST. RT. 88 | GARRETTSVILLE, OH

Ph. 330.527.5641 | Fax 330.527.5640



<i>Rolled Reducer Coupling</i>		
Bell X Bell		
Part No.	Size	List Price
1034-RCR-0604	6" X 4"	\$ 317.59
1034-RCR-0804	8" X 4"	\$ 376.79
1034-RCR-0806	8" X 6"	\$ 367.63
1034-RCR-1006	10" X 6"	\$ 432.27
1034-RCR-1008	10" X 8"	\$ 418.08
1034-RCR-1208	12" X 8"	\$ 490.85
1034-RCR-1210	12" X 10"	\$ 473.17
1034-RCR-1410	14" X 10"	\$ 535.08
1034-RCR-1412	14" X 12"	\$ 574.26
1034-RCR-1612	16" X 12"	\$ 595.55
1034-RCR-1614	16" X 14"	\$ 568.27
1034-RCR-1814	18" X 14"	\$ 706.43
1034-RCR-1816	18" X 16"	\$ 678.78
1034-RCR-2016	20" X 16"	\$ 673.49
1034-RCR-2018	20" X 18"	\$ 789.97
1034-RCR-2420	24" X 20"	\$ 827.35



# HARRISON MACHINE & PLASTIC CORPORATION

11614 ST. RT. 88 | GARRETTSVILLE, OH

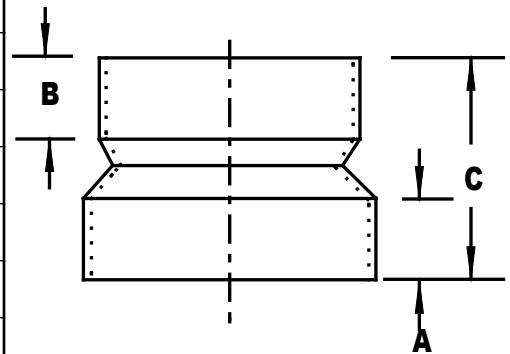
Ph. 330.527.5641 | Fax 330.527.5640

## Reducer Coupling

### Bell X Bell

Part No.	Size	List Price
1034-RC-0302	3" X 2"	\$ 95.43
1034-RC-0402	4" X 2"	\$ 110.77
1034-RC-0403	4" X 3"	\$ 79.69
1034-RC-0602	6" X 2"	\$ 226.02
1034-RC-0603	6" X 3"	\$ 222.62
1034-RC-0604	6" X 4"	\$ 84.40
1034-RC-0804	8" X 4"	\$ 228.47
1034-RC-0806	8" X 6"	\$ 99.71
1034-RC-1006	10" X 6"	\$ 273.02
1034-RC-1008	10" X 8"	\$ 129.48
1034-RC-1009	10" X 9"	\$ 181.32
1034-RC-1208	12" X 8"	\$ 323.99
1034-RC-1210	12" X 10"	\$ 145.83
1034-RC-1410	14" X 10"	\$ 348.33
1034-RC-1412	14" X 12"	\$ 206.34
1034-RC-1612	16" X 12"	\$ 401.97
1034-RC-1614	16" X 14"	\$ 252.23
1034-RC-1814	18" X 14"	\$ 631.62
1034-RC-1816	18" X 16"	\$ 304.05

*Rolled reducers also available*





# HARRISON MACHINE & PLASTIC CORPORATION

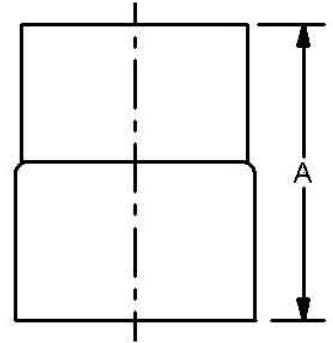
11614 ST. RT. 88 | GARRETTSVILLE, OH

Ph. 330.527.5641 | Fax 330.527.5640

## Flex Hose Adapter

### Hose Spigot X Duct Spigot

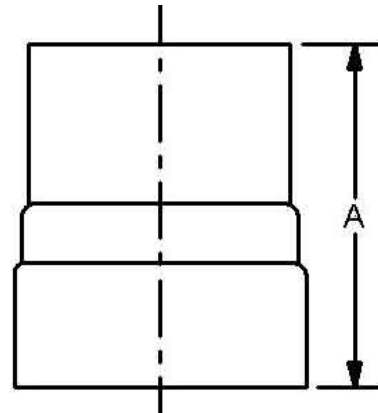
Part No.	Size	Spigot	List Price
	O.D. (Hose)	P.E. (Duct)	
1033-FHA-02	2"	2.375"	\$ 34.87
1033-FHA-03	3"	3.500"	\$ 44.49
1033-FHA-04	4"	4.500"	\$ 45.68
1033-FHA-05	5"	5.563"	\$ 74.27
1033-FHA-06	6"	6.625"	\$ 80.78
1033-FHA-07	7"	7.375"	\$ 86.52
1033-FHA-08	8"	8.625"	\$ 93.71
1033-FHA-10	10"	10.750"	\$ 118.96
1033-FHA-12	12"	12.750"	\$ 149.02
1033-FHA-14	14"	14.000"	\$ 61.49
1033-FHA-16	16"	16.000"	\$ 71.60



## Flex Hose Adapter

### Hose Spigot X Duct Bell

Part No.	Size	List Price
1034-FHA-02	2"	\$ 50.13
1034-FHA-03	3"	\$ 62.34
1034-FHA-04	4"	\$ 63.39
1034-FHA-05	5"	\$ 90.05
1034-FHA-06	6"	\$ 95.43
1034-FHA-08	8"	\$ 115.24
1034-FHA-10	10"	\$ 139.97
1034-FHA-12	12"	\$ 183.23
1034-FHA-14	14"	\$ 65.12
1034-FHA-16	16"	\$ 75.81

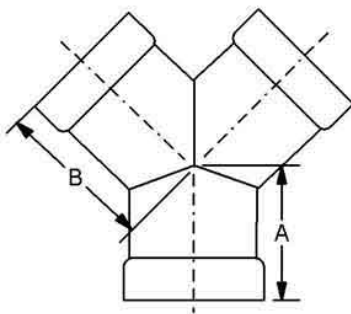
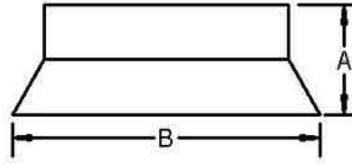




# HARRISON MACHINE & PLASTIC CORPORATION

11614 ST. RT. 88 | GARRETTSVILLE, OH  
 Ph. 330.527.5641 | Fax 330.527.5640

<b>Rainskirt</b>		
<b>Belled</b>		
Part No.	Size	List price
1034-RS-02	2"	\$ 216.72
1034-RS-03	3"	\$ 239.36
1034-RS-04	4"	\$ 273.63
1034-RS-05	5"	\$ 296.45
1034-RS-06	6"	\$ 319.32
1034-RS-08	8"	\$ 330.69
1034-RS-10	10"	\$ 342.03
1034-RS-12	12"	\$ 399.02
1034-RS-14	14"	\$ 467.49
1034-RS-16	16"	\$ 615.78
1034-RS-18	18"	\$ 684.24
1034-RS-20	20"	\$ 706.89
1034-RS-24	24"	\$ 821.00



<b>True Wye</b>		
<b>Belled</b>		
Part No.	Size	List Price
1034-TY-02	2"	\$ 295.57
1034-TY-03	3"	\$ 298.91
1034-TY-04	4"	\$ 303.24
1034-TY-05	5"	\$ 308.79
1034-TY-06	6"	\$ 329.89
1034-TY-07	7"	\$ 361.34
1034-TY-08	8"	\$ 401.61
1034-TY-09	9"	\$ 423.23
1034-TY-10	10"	\$ 507.33
1034-TY-11	11"	\$ 520.87
1034-TY-12	12"	\$ 627.17
1034-TY-14	14"	\$ 789.98
1034-TY-16	16"	\$ 963.94
1034-TY-18	18"	\$ 1,636.44
1034-TY-20	20"	\$ 2,071.34
1034-TY-24	24"	\$ 2,468.49



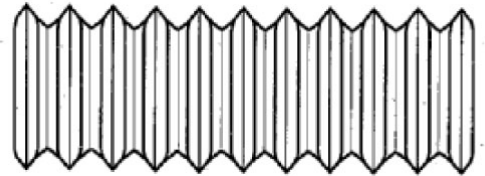
## HARRISON MACHINE & PLASTIC CORPORATION

11614 ST. RT. 88 | GARRETTSVILLE, OH

Ph. 330.527.5641 | Fax 330.527.5640

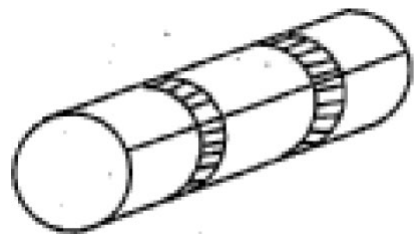
### *Flexible PVC Duct*

Part No.	Size	List Price
1033-FH-02	2"	\$ 10.16
1033-FH-03	3"	\$ 16.07
1033-FH-04	4"	\$ 18.85
1033-FH-05	5"	\$ 20.39
1033-FH-06	6"	\$ 21.60
1033-FH-07	7"	\$ 27.54
1033-FH-08	8"	\$ 30.28
1033-FH-10	10"	\$ 38.46
1033-FH-12	12"	\$ 46.59
1033-FH-14	14"	\$ 54.25
1033-FH-16	16"	\$ 65.63



### *Flexible Duct Coupling*

Part No.	Size	List price
1034-FC-03	3"	\$ 120.87
1034-FC-04	4"	\$ 130.55
1034-FC-06	6"	\$ 135.40
1034-FC-07	7"	\$ 144.40
1034-FC-08	8"	\$ 152.26
1034-FC-09	9"	\$ 160.15
1034-FC-10	10"	\$ 169.18
1034-FC-12	12"	\$ 190.39
1034-FC-14	14"	\$ 211.52
1034-FC-16	16"	\$ 228.42
1034-FC-18	18"	\$ 288.65
1034-FC-20	20"	\$ 350.22
1034-FC-24	24"	\$ 433.40

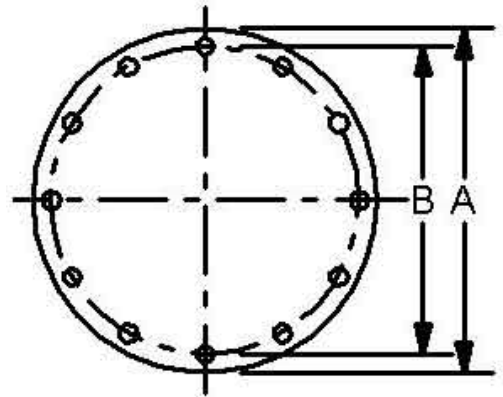
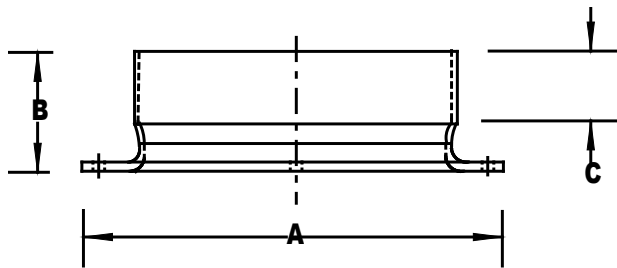




# HARRISON MACHINE & PLASTIC CORPORATION

11614 ST. RT. 88 | GARRETTSVILLE, OH

Ph. 330.527.5641 | Fax 330.527.5640



<b>Flange</b>		
<b>Belled</b>		
Part No.	Size	List Price
1034-SF-02	2"	\$ 56.35
1034-SF-03	3"	\$ 64.44
1034-SF-04	4"	\$ 92.49
1034-SF-05	5"	\$ 98.07
1034-SF-06	6"	\$ 103.28
1034-SF-07	7"	\$ 121.73
1034-SF-08	8"	\$ 132.17
1034-SF-09	9"	\$ 162.82
1034-SF-10	10"	\$ 136.96
1034-SF-11	11"	\$ 167.16
1034-SF-12	12"	\$ 157.18
1034-SF-14	14"	\$ 185.46
1034-SF-16	16"	\$ 230.71
1034-SF-18	18"	\$ 352.87
1034-SF-20	20"	\$ 409.23
1034-SF-24	24"	\$ 449.33

*Duct Drilling, Not 150#*

<b>Blind Flange</b>		
Part No.	Size	List Price
1034-BF-03	3"	\$ 64.44
1034-BF-04	4"	\$ 92.49
1034-BF-05	5"	\$ 98.07
1034-BF-06	6"	\$ 103.28
1034-BF-07	7"	\$ 121.73
1034-BF-08	8"	\$ 132.17
1034-BF-09	9"	\$ 162.82
1034-BF-10	10"	\$ 136.96
1034-BF-11	11"	\$ 167.16
1034-BF-12	12"	\$ 157.18
1034-BF-14	14"	\$ 185.46
1034-BF-16	16"	\$ 230.71
1034-BF-18	18"	\$ 352.87
1034-BF-20	20"	\$ 409.23
1034-BF-24	24"	\$ 449.33

All blind flanges are 3/16" thick.  
All bolt holes are 5/16" diameter.

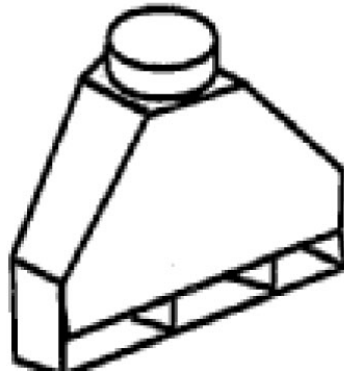




## HARRISON MACHINE & PLASTIC CORPORATION

11614 ST. RT. 88 | GARRETTSVILLE, OH

Ph. 330.527.5641 | Fax 330.527.5640



<b>Rear Exhaust Hood</b>		
<b>Single Slot</b>		
<b>1034-SSH-18</b>	<b>18"</b>	<b>Contact Factory</b>
<b>1034-SSH-24</b>	<b>24"</b>	<b>Contact Factory</b>
<b>1034-SSH-30</b>	<b>30"</b>	<b>Contact Factory</b>
<b>1034-SSH-36</b>	<b>36"</b>	<b>Contact Factory</b>
<b>1034-SSH-42</b>	<b>42"</b>	<b>Contact Factory</b>
<b>1034-SSH-48</b>	<b>48"</b>	<b>Contact Factory</b>
<b>1034-SSH-54</b>	<b>54"</b>	<b>Contact Factory</b>
<b>1034-SSH-60</b>	<b>60"</b>	<b>Contact Factory</b>
<b>1034-SSH-66</b>	<b>66"</b>	<b>Contact Factory</b>
<b>1034-SSH-72</b>	<b>72"</b>	<b>Contact Factory</b>

**Please Contact factory for prices on:**

**Double Slot, Single Lateral, Double Lateral, and other custom hoods.**



# HARRISON MACHINE & PLASTIC CORPORATION

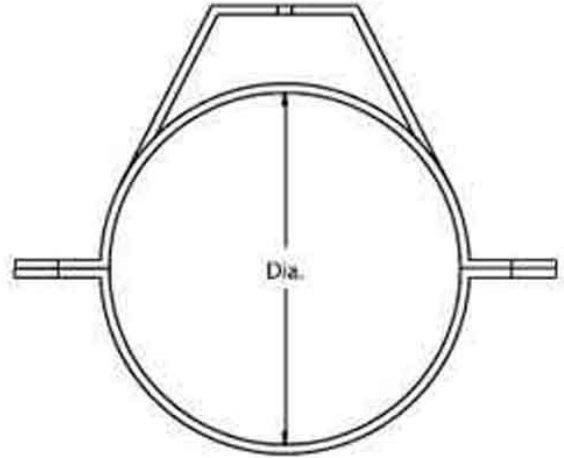
11614 ST. RT. 88 | GARRETTSVILLE, OH

Ph. 330.527.5641 | Fax 330.527.5640

## Pipe Hangers

Stainless Steel Type 304

Part No.	Size	List price
PH-04	4"	\$ 110.76
PH-06	6"	\$ 117.88
PH-08	8"	\$ 119.08
PH-10	10"	\$ 111.89
PH-12	12"	\$ 129.17
PH-14	14"	\$ 183.88
PH-16	16"	\$ 185.40
PH-18	18"	\$ 166.17
PH-20	20"	\$ 173.93
PH-24	24"	\$ 188.99



**Please Contact factory for prices on:**

Sizes over 24" or otherwise not listed.



# HARRISON MACHINE & PLASTIC CORPORATION

11614 ST. RT. 88 | GARRETTSVILLE, OH

Ph. 330.527.5641 | Fax 330.527.5640



<i>Actuated Butterfly Damper</i>		
Belled		
Part No.	Size	List Price
1034-ABD-02	2"	\$ 529.80
1034-ABD-03	3"	\$ 538.48
1034-ABD-04	4"	\$ 548.72
1034-ABD-05	5"	\$ 579.57
1034-ABD-06	6"	\$ 609.91
1034-ABD-07	7"	\$ 611.39
1034-ABD-08	8"	\$ 614.05
1034-ABD-09	9"	\$ 629.94
1034-ABD-10	10"	\$ 646.69
1034-ABD-11	11"	\$ 669.25
1034-ABD-12	12"	\$ 685.96
1034-ABD-14	14"	\$ 828.21
1034-ABD-16	16"	\$ 878.49
1034-ABD-18	18"	\$ 1,084.15
1034-ABD-20	20"	\$ 1,233.44
1034-ABD-24	24"	\$ 1,527.78



## HARRISON MACHINE & PLASTIC CORPORATION

11614 ST. RT. 88 | GARRETTSVILLE, OH

Ph. 330.527.5641 | Fax 330.527.5640



<b>Roof Flashing</b>		
<b>EPDM</b>		
<b>Part No.</b>	<b>Size</b>	<b>List price</b>
<b>RF-05</b>	<b>4" - 8-1/4"</b>	<b>\$ 42.08</b>
<b>RF-06</b>	<b>4-3/4" - 8-1/4"</b>	<b>\$ 45.96</b>
<b>RF-07</b>	<b>5-1/2" - 11-1/2"</b>	<b>\$ 65.42</b>
<b>RF-08</b>	<b>6-3/4" - 13-1/2"</b>	<b>\$ 87.13</b>
<b>RF-09</b>	<b>9-1/2" - 20-1/2"</b>	<b>\$ 141.54</b>
<b>RF-10</b>	<b>12" - 28-1/2"</b>	<b>\$ 266.48</b>



## HARRISON MACHINE & PLASTIC CORPORATION

11614 ST. RT. 88 | GARRETTSVILLE, OH  
Ph. 330.527.5641 | Fax 330.527.5640



***Please Contact factory for prices on:***

**PVC Transitions available with Flange, Socket, or Plain Ends**

- All types of transitions (square to round, rectangular to round) with socket, spigot or flanged connections are available per customer specification
  
- Please contact the factory for items not shown in this catalog
- Virtually all reduction sizes are available in tees, wyes, elbows and reducer couplings
- All configurations are also available in plain end (spigot end) end connections
- Pricing for Rear Exhaust (Single and Double) Hoods as well as Lateral (Single and Double) Hoods available on request