

# **Harrison Machine & Plastic Corporation**



## **HARRISON SUPERDUCT® FUME EXHAUST SYSTEMS**

**PVC DUCT FITTINGS & PVC DUCT PIPE**

**LIST PRICE CATALOG**

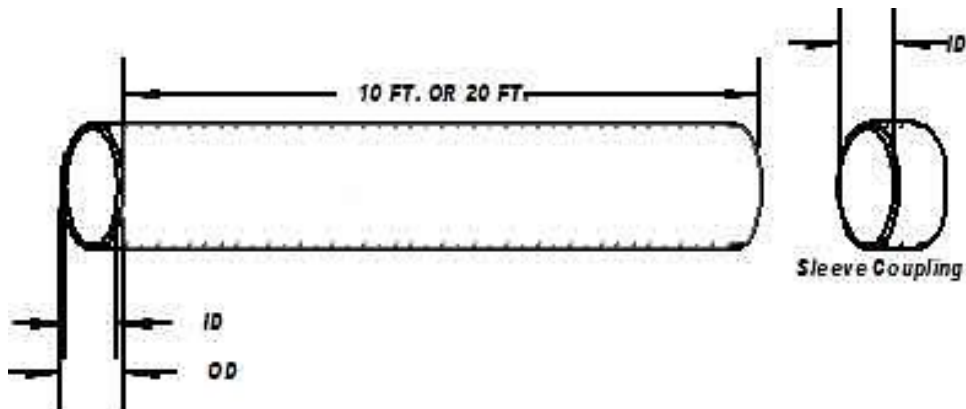
**EFFECTIVE 11-1-2022**



# HARRISON MACHINE & PLASTIC CORPORATION

11614 ST. RT. 88 | GARRETTSVILLE, OH

Ph. 330.527.5641 | Fax 330.527.5640



<b>HARRISON SUPERDUCT®</b>						
<b>PVC DUCT PIPE</b>						
Part No.	Size	O.D.	Wall	Std. Length	List Price Per Ft.	List Price Per Ft.
					10 ft.	20 ft.
	<b>Extruded</b>					
1033-PP-02	2"	2.375"	0.154"	10 ft. or 20 ft.	\$ 11.56	\$ 9.80
1033-PP-03	3"	3.500"	0.216"	10 ft. or 20 ft.	\$ 21.28	\$ 19.53
1033-PP-04	4"	4.500"	0.237"	10 ft. or 20 ft.	\$ 15.96	\$ 15.42
1033-PP-05	5"	5.563"	0.214"	10 ft. or 20 ft.	\$ 61.50	\$ 59.74
1033-PP-06	6"	6.625"	0.187"	10 ft. or 20 ft.	\$ 30.87	\$ 28.07
1033-PP-07	7"	7.375"	0.187"	10 ft. or 20 ft.	\$ 45.22	\$ 42.96
1033-PP-08	8"	8.625"	0.187"	10 ft. or 20 ft.	\$ 43.40	\$ 40.60
1033-PP-09	9"	9.375"	0.187"	10 ft. or 20 ft.	\$ 57.82	\$ 54.92
1033-PP-10	10"	10.750"	0.187"	10 ft. or 20 ft.	\$ 55.02	\$ 51.52
1033-PP-11	11"	11.375"	0.187"	10 ft. or 20 ft.	\$ 67.31	\$ 63.93
1033-PP-12	12"	12.750"	0.187"	10 ft. or 20 ft.	\$ 63.56	\$ 60.06
1033-PP-14	14"	14.000"	0.187"	10 ft. or 20 ft.	\$ 79.34	\$ 75.14
1033-PP-16	16"	16.000"	0.187"	10 ft. or 20 ft.	\$ 91.18	\$ 86.98
1033-PP-18	18"	18.000"	0.187"	10 ft. or 20 ft.	\$ 124.14	\$ 118.90
1033-PP-20	20"	20.000"	0.219"	10 ft. or 20 ft.	\$ 148.68	\$ 143.43
1033-PP-24	24"	24.000"	0.250"	10 ft. or 20 ft.	\$ 201.84	\$ 196.60

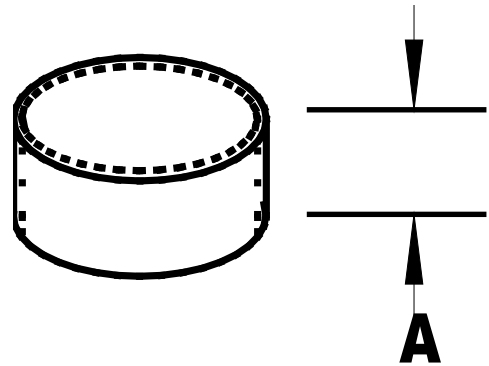
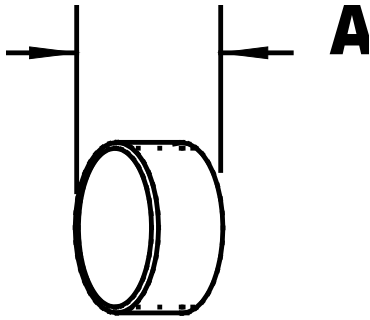
**Duct diameters thru 60" are available. Contact factory for details.**



# HARRISON MACHINE & PLASTIC CORPORATION

11614 ST. RT. 88 | GARRETTSVILLE, OH

Ph. 330.527.5641 | Fax 330.527.5640



<b>Coupling</b>		
<b>Sleeved</b>		
Part No.	Size	List price
1034-CP-02	2"	\$ 16.07
1034-CP-03	3"	\$ 28.96
1034-CP-04	4"	\$ 39.85
1034-CP-05	5"	\$ 52.44
1034-CP-06	6"	\$ 66.88
1034-CP-07	7"	\$ 83.42
1034-CP-08	8"	\$ 87.09
1034-CP-09	9"	\$ 96.15
1034-CP-10	10"	\$ 100.58
1034-CP-11	11"	\$ 106.95
1034-CP-12	12"	\$ 109.66
1034-CP-14	14"	\$ 140.33
1034-CP-16	16"	\$ 148.73
1034-CP-18	18"	\$ 193.91
1034-CP-20	20"	\$ 232.92
1034-CP-24	24"	\$ 292.40

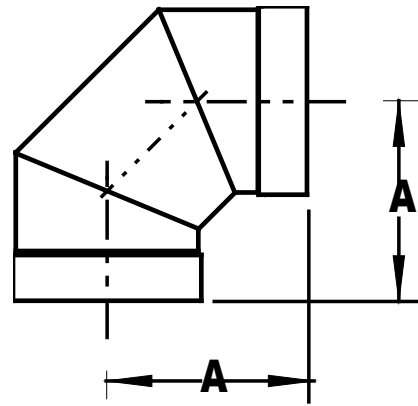
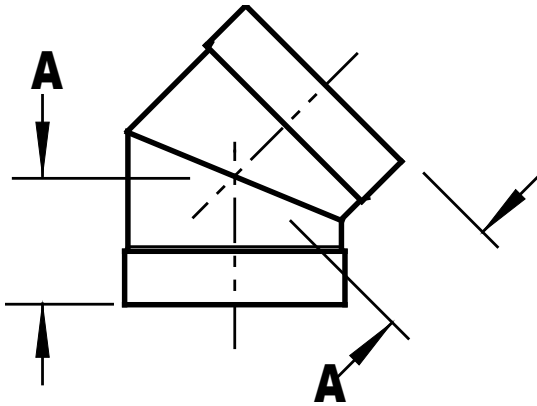
<b>Cap</b>		
<b>Belled</b>		
Part No.	Size	List price
1034-CA-03	3"	\$ 106.31
1034-CA-04	4"	\$ 146.21
1034-CA-06	6"	\$ 165.47
1034-CA-08	8"	\$ 170.89
1034-CA-10	10"	\$ 187.74
1034-CA-11	11"	\$ 188.97
1034-CA-12	12"	\$ 193.20
1034-CA-14	14"	\$ 312.35
1034-CA-16	16"	\$ 344.34
1034-CA-18	18"	\$ 391.34
1034-CA-20	20"	\$ 574.45
1034-CA-24	24"	\$ 610.64



# HARRISON MACHINE & PLASTIC CORPORATION

11614 ST. RT. 88 | GARRETTSVILLE, OH

Ph. 330.527.5641 | Fax 330.527.5640



<b>45° Elbow</b>		
<b>Belled (2 piece)</b>		
<b>Part No.</b>	<b>Size</b>	<b>List Price</b>
1034-45-02	2"	\$ 150.47
1034-45-03	3"	\$ 163.40
1034-45-04	4"	\$ 188.93
1034-45-05	5"	\$ 201.54
1034-45-06	6"	\$ 214.14
1034-45-07	7"	\$ 250.33
1034-45-08	8"	\$ 268.87
1034-45-09	9"	\$ 278.77
1034-45-10	10"	\$ 292.63
1034-45-11	11"	\$ 341.46
1034-45-12	12"	\$ 358.41
1034-45-14	14"	\$ 424.23
1034-45-16	16"	\$ 510.27
1034-45-18	18"	\$ 762.68
1034-45-20	20"	\$ 1,060.26
1034-45-24	24"	\$ 1,336.46

<b>90° Elbow</b>		
<b>Belled (3 piece)</b>		
<b>Part No.</b>	<b>Size</b>	<b>List Price</b>
1034-90-02	2"	\$ 184.27
1034-90-03	3"	\$ 232.69
1034-90-04	4"	\$ 251.24
1034-90-05	5"	\$ 271.47
1034-90-06	6"	\$ 306.72
1034-90-07	7"	\$ 339.63
1034-90-08	8"	\$ 344.10
1034-90-09	9"	\$ 388.04
1034-90-10	10"	\$ 418.15
1034-90-11	11"	\$ 434.13
1034-90-12	12"	\$ 475.73
1034-90-14	14"	\$ 547.88
1034-90-16	16"	\$ 715.46
1034-90-18	18"	\$ 992.81
1034-90-20	20"	\$ 1,485.45
1034-90-24	24"	\$ 1,825.08

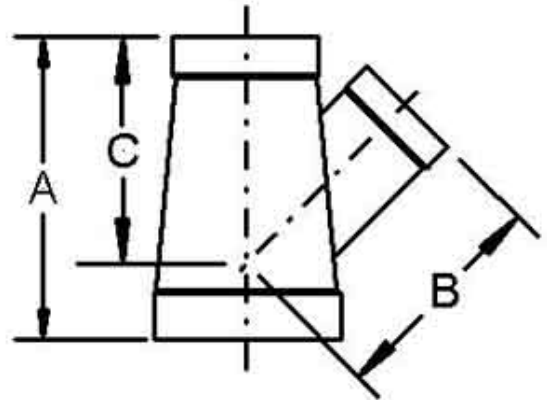


# HARRISON MACHINE & PLASTIC CORPORATION

11614 ST. RT. 88 | GARRETTSVILLE, OH

Ph. 330.527.5641 | Fax 330.527.5640

<b>45° Wye (Reducing)</b>		
<b>Belled</b>		
<b>Part No.</b>	<b>Size</b>	<b>List Price</b>
1034-Y-04	4" X 4" X 4"	\$ 338.74
1034-Y-0403	4" X 4" X 3"	\$ 342.45
1034-Y-0503	5" X 5" X 3"	\$ 395.26
1034-Y-060	6" X 6" X 3"	\$ 396.98
1034-Y-0604	6" X 6" X 4"	\$ 511.25
1034-Y-07	7" X 7" X 7"	\$ 614.13
1034-Y-0804	8" X 8" X 4"	\$ 622.16
1034-Y-0806	8" X 8" X 6"	\$ 572.29
1034-Y-09	9" X 9" X 9"	\$ 720.22
1034-Y-0906	9" X 9" X 6"	\$ 645.07
1034-Y-1006	10" X 10" X 6"	\$ 665.78
1034-Y-1008	10" X 10" X 8"	\$ 753.31
1034-Y-11	11" X 11" X 11"	\$ 999.29
1034-Y-1208	12" X 12" X 8"	\$ 738.43
1034-Y-1210	12" X 12" X 10"	\$ 950.02
1034-Y-1410	14" X 14" X 10"	\$ 922.49
1034-Y-1412	14" X 14" X 12"	\$ 1,213.28
1034-Y-141210	14" X 12" X 10"	\$ 1,071.81
1034-Y-1612	16" X 16" X 12"	\$ 1,043.38
1034-Y-1614	16" X 16" X 14"	\$ 1,403.42
1034-Y-1814	18" X 18" X 14"	\$ 1,668.78
1034-Y-1816	18" X 18" X 16"	\$ 1,851.96
1034-Y-2016	20" X 20" X 16"	\$ 2,116.32
1034-Y-2018	20" X 20" X 18"	\$ 2,356.28
1034-Y-2418	24" X 24" X 18"	\$ 2,746.08
1034-Y-2420	24" X 24" X 20"	\$ 2,939.67

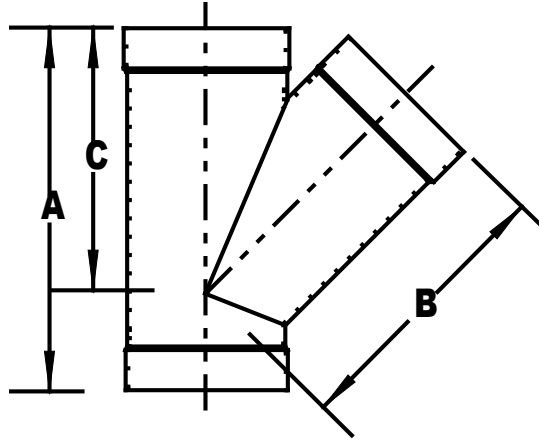




# HARRISON MACHINE & PLASTIC CORPORATION

11614 ST. RT. 88 | GARRETTSVILLE, OH

Ph. 330.527.5641 | Fax 330.527.5640

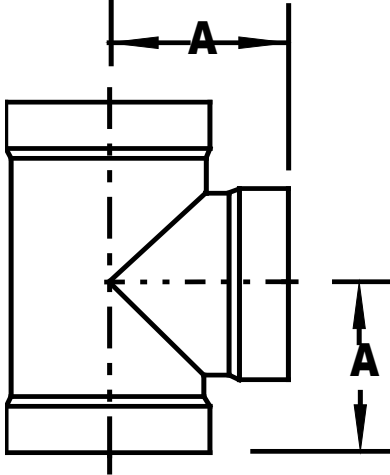


<b>45° Wye</b>		
<b>Belled</b>		
<b>Part No.</b>	<b>Size</b>	<b>List Price</b>
1034-Y-03	3" X 3" X 3"	\$ 282.32
1034-Y-04	4" X 4" X 4"	\$ 338.74
1034-Y-06	6" X 6" X 6"	\$ 520.85
1034-Y-07	7" X 7" X 7"	\$ 614.13
1034-Y-08	8" X 8" X 8"	\$ 622.17
1034-Y-09	9" X 9" X 9"	\$ 720.22
1034-Y-10	10" X 10" X 10"	\$ 781.27
1034-Y-11	11" X 11" X 11"	\$ 999.29
1034-Y-12	12" X 12" X 12"	\$ 1,035.34
1034-Y-14	14" X 14" X 14"	\$ 1,199.28
1034-Y-16	16" X 16" X 16"	\$ 1,421.12
1034-Y-18	18" X 18" X 18"	\$ 1,987.04
1034-Y-20	20" X 20" X 20"	\$ 2,372.82
1034-Y-24	24" X 24" X 24"	\$ 3,240.94



# HARRISON MACHINE & PLASTIC CORPORATION

11614 ST. RT. 88 | GARRETTSVILLE, OH  
 Ph. 330.527.5641 | Fax 330.527.5640



<b>Tee (Reducing)</b>		
<b>Belled</b>		
<b>Part No.</b>	<b>Size</b>	<b>List Price</b>
1034-T-0302	3" X 3" X 2"	\$ 211.71
1034-T-0403	4" X 4" X 3"	\$ 254.08
1034-T-0604	6" X 6" X 4"	\$ 353.69
1034-T-060404	6" X 4" X 4"	\$ 482.04
1034-T-0804	8" X 8" X 4"	\$ 431.81
1034-T-0806	8" X 8" X 6"	\$ 466.21
1034-T-1006	10" X 10" X 6"	\$ 500.89
1034-T-1008	10" X 10" X 8"	\$ 606.09
1034-T-1206	12" X 12" X 6"	\$ 655.92
1034-T-1208	12" X 12" X 8"	\$ 592.80
1034-T-1210	12" X 12" X 10"	\$ 797.97
1034-T-1410	14" X 14" X 10"	\$ 842.39
1034-T-1412	14" X 14" X 12"	\$ 977.46
1034-T-1612	16" X 16" X 12"	\$ 1,070.79
1034-T-1614	16" X 16" X 14"	\$ 1,125.33
1034-T-1814	18" X 18" X 14"	\$ 1,266.82
1034-T-1816	18" X 18" X 16"	\$ 1,318.28
1034-T-2016	20" X 20" X 16"	\$ 1,671.95
1034-T-2018	20" X 20" X 18"	\$ 1,903.42
1034-T-2418	24" X 24" X 18"	\$ 2,212.04
1034-T-2420	24" X 24" X 20"	\$ 2,353.55

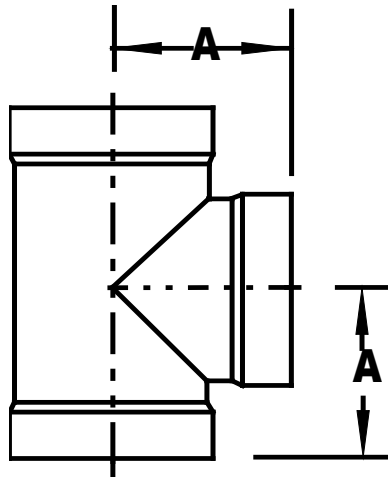


# HARRISON MACHINE & PLASTIC CORPORATION

11614 ST. RT. 88 | GARRETTSVILLE, OH

Ph. 330.527.5641 | Fax 330.527.5640

<b>Tee</b>		
<b>Belled</b>		
<b>Part No.</b>	<b>Size</b>	<b>List Price</b>
1034-T-03	3" X 3" X 3"	\$ 247.01
1034-T-04	4" X 4" X 4"	\$ 308.65
1034-T-06	6" X 6" X 6"	\$ 374.60
1034-T-07	7" X 7" X 7"	\$ 421.88
1034-T-08	8" X 8" X 8"	\$ 540.57
1034-T-09	9" X 9" X 9"	\$ 553.03
1034-T-10	10" X 10" X 10"	\$ 569.73
1034-T-11	11" X 11" X 11"	\$ 604.47
1034-T-12	12" X 12" X 12"	\$ 662.36
1034-T-14	14" X 14" X 14"	\$ 765.25
1034-T-16	16" X 16" X 16"	\$ 1,253.40
1034-T-18	18" X 18" X 18"	\$ 1,543.24
1034-T-20	20" X 20" X 20"	\$ 1,903.42
1034-T-24	24" X 24" X 24"	\$ 2,494.97



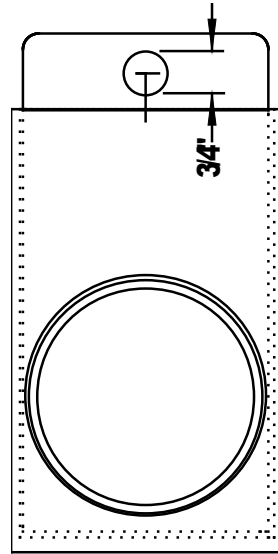
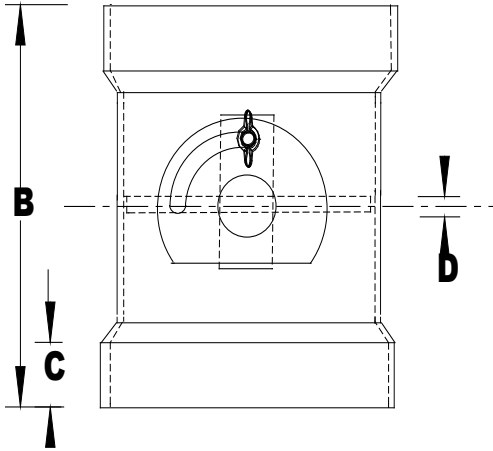




# HARRISON MACHINE & PLASTIC CORPORATION

11614 ST. RT. 88 | GARRETTSVILLE, OH

Ph. 330.527.5641 | Fax 330.527.5640



<b>Butterfly Damper</b>		
<b>Belled</b>		
Part No.	Size	List Price
1034-BD-02	2"	\$ 368.08
1034-BD-03	3"	\$ 381.96
1034-BD-04	4"	\$ 398.28
1034-BD-05	5"	\$ 447.51
1034-BD-06	6"	\$ 495.94
1034-BD-07	7"	\$ 498.29
1034-BD-08	8"	\$ 502.57
1034-BD-09	9"	\$ 527.93
1034-BD-10	10"	\$ 554.63
1034-BD-11	11"	\$ 590.66
1034-BD-12	12"	\$ 617.32
1034-BD-14	14"	\$ 844.36
1034-BD-16	16"	\$ 924.60
1034-BD-18	18"	\$ 1,252.83
1034-BD-20	20"	\$ 1,491.12
1034-BD-24	24"	\$ 1,960.89

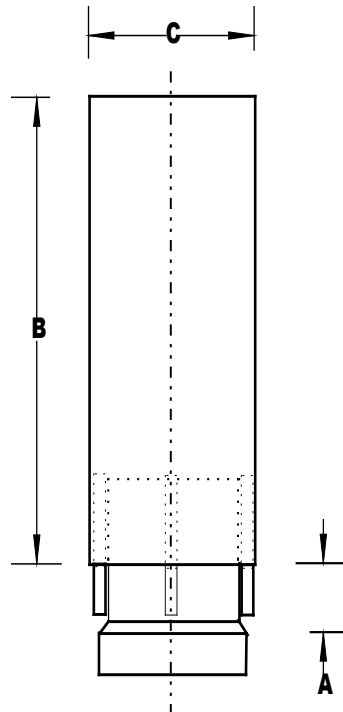
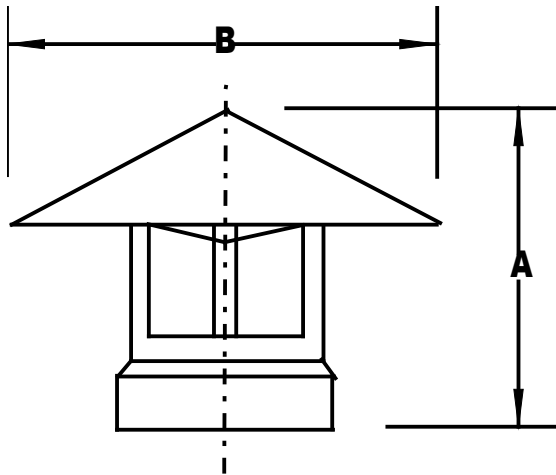
<b>Blastgate</b>		
<b>Belled</b>		
Part No.	Size	List Price
1034-BG-02	2"	\$ 342.15
1034-BG-03	3"	\$ 442.55
1034-BG-04	4"	\$ 415.34
1034-BG-05	5"	\$ 451.07
1034-BG-06	6"	\$ 493.60
1034-BG-07	7"	\$ 557.29
1034-BG-08	8"	\$ 587.27
1034-BG-09	9"	\$ 609.47
1034-BG-10	10"	\$ 628.13
1034-BG-11	11"	\$ 715.85
1034-BG-12	12"	\$ 752.42
1034-BG-14	14"	\$ 1,028.12
1034-BG-16	16"	\$ 1,082.62
1034-BG-18	18"	\$ 1,334.48
1034-BG-20	20"	\$ 1,556.82
1034-BG-24	24"	\$ 2,008.28



# HARRISON MACHINE & PLASTIC CORPORATION

11614 ST. RT. 88 | GARRETTSVILLE, OH

Ph. 330.527.5641 | Fax 330.527.5640



## Rain Cap (Style "A")

Belled

Part No.	Size	List Price
1034-WCA-02	2"	\$ 622.16
1034-WCA-03	3"	\$ 513.15
1034-WCA-04	4"	\$ 559.63
1034-WCA-05	5"	\$ 661.76
1034-WCA-06	6"	\$ 695.92
1034-WCA-07	7"	\$ 727.87
1034-WCA-08	8"	\$ 764.53
1034-WCA-09	9"	\$ 794.03
1034-WCA-10	10"	\$ 952.60
1034-WCA-11	11"	\$ 976.02
1034-WCA-12	12"	\$ 1,058.46
1034-WCA-14	14"	\$ 1,439.03
1034-WCA-16	16"	\$ 1,563.58
1034-WCA-18	18"	\$ 2,271.55
1034-WCA-20	20"	\$ 2,488.58
1034-WCA-24	24"	\$ 2,958.84

## Rain Cap (Style "B")

Zero Pressure Loss Feature

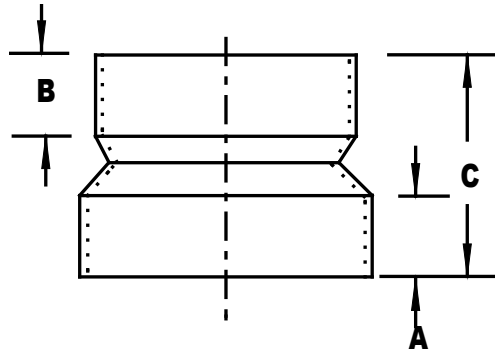
Part No.	Size	List Price
1034-WCB-03	3"	\$ 535.95
1034-WCB-04	4"	\$ 631.14
1034-WCB-05	5"	\$ 690.71
1034-WCB-06	6"	\$ 738.46
1034-WCB-07	7"	\$ 774.05
1034-WCB-08	8"	\$ 821.05
1034-WCB-09	9"	\$ 952.20
1034-WCB-10	10"	\$ 1,032.17
1034-WCB-11	11"	\$ 1,114.15
1034-WCB-12	12"	\$ 1,158.00
1034-WCB-14	14"	\$ 1,555.33
1034-WCB-16	16"	\$ 2,050.67
1034-WCB-18	18"	\$ 2,495.85
1034-WCB-20	20"	\$ 2,662.19
1034-WCB-24	24"	\$ 3,363.97



# HARRISON MACHINE & PLASTIC CORPORATION

11614 ST. RT. 88 | GARRETTSVILLE, OH

Ph. 330.527.5641 | Fax 330.527.5640



<i>Rolled Reducer Coupling</i>		
Bell X Bell		
Part No.	Size	List Price
1034-RCR-0604	6" X 4"	\$ 466.35
1034-RCR-0804	8" X 4"	\$ 553.26
1034-RCR-0806	8" X 6"	\$ 539.81
1034-RCR-1006	10" X 6"	\$ 634.73
1034-RCR-1008	10" X 8"	\$ 613.88
1034-RCR-1208	12" X 8"	\$ 720.75
1034-RCR-1210	12" X 10"	\$ 694.78
1034-RCR-1410	14" X 10"	\$ 785.67
1034-RCR-1412	14" X 12"	\$ 843.23
1034-RCR-1612	16" X 12"	\$ 874.47
1034-RCR-1614	16" X 14"	\$ 834.42
1034-RCR-1814	18" X 14"	\$ 1,037.29
1034-RCR-1816	18" X 16"	\$ 996.68
1034-RCR-2016	20" X 16"	\$ 988.93
1034-RCR-2018	20" X 18"	\$ 1,159.95
1034-RCR-2420	24" X 20"	\$ 1,214.84



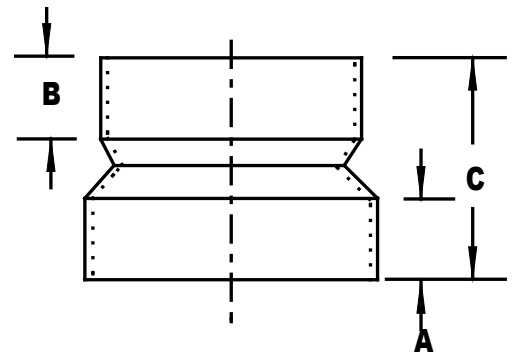
# HARRISON MACHINE & PLASTIC CORPORATION

11614 ST. RT. 88 | GARRETTSVILLE, OH

Ph. 330.527.5641 | Fax 330.527.5640

<b>Reducer Coupling</b>		
<b>Bell X Bell</b>		
<b>Part No.</b>	<b>Size</b>	<b>List Price</b>
1034-RC-0302	3" X 2"	\$ 140.14
1034-RC-0402	4" X 2"	\$ 162.65
1034-RC-0403	4" X 3"	\$ 117.00
1034-RC-0602	6" X 2"	\$ 331.88
1034-RC-0603	6" X 3"	\$ 326.89
1034-RC-0604	6" X 4"	\$ 123.93
1034-RC-0804	8" X 4"	\$ 335.47
1034-RC-0806	8" X 6"	\$ 146.40
1034-RC-1006	10" X 6"	\$ 400.88
1034-RC-1008	10" X 8"	\$ 190.13
1034-RC-1009	10" X 9"	\$ 266.23
1034-RC-1208	12" X 8"	\$ 475.73
1034-RC-1210	12" X 10"	\$ 214.13
1034-RC-1410	14" X 10"	\$ 511.47
1034-RC-1412	14" X 12"	\$ 302.98
1034-RC-1612	16" X 12"	\$ 590.23
1034-RC-1614	16" X 14"	\$ 370.35
1034-RC-1814	18" X 14"	\$ 927.43
1034-RC-1816	18" X 16"	\$ 446.45

*Rolled reducers also available*





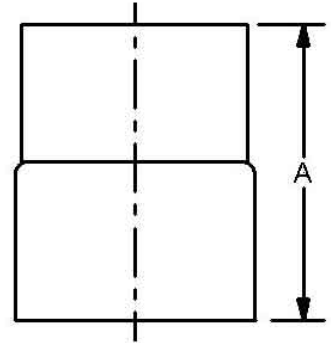
# HARRISON MACHINE & PLASTIC CORPORATION

11614 ST. RT. 88 | GARRETTSVILLE, OH  
 Ph. 330.527.5641 | Fax 330.527.5640

## Flex Hose Adapter

### Hose Spigot X Duct Spigot

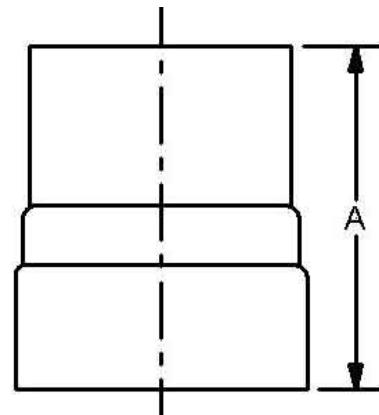
Part No.	Size	Spigot	List Price
	O.D. (Hose)	P.E. (Duct)	
1033-FHA-02	2"	2.375"	\$ 51.21
1033-FHA-03	3"	3.500"	\$ 65.34
1033-FHA-04	4"	4.500"	\$ 67.07
1033-FHA-05	5"	5.563"	\$ 109.05
1033-FHA-06	6"	6.625"	\$ 118.62
1033-FHA-07	7"	7.375"	\$ 127.04
1033-FHA-08	8"	8.625"	\$ 137.59
1033-FHA-10	10"	10.750"	\$ 174.67
1033-FHA-12	12"	12.750"	\$ 218.81
1033-FHA-14	14"	14.000"	\$ 90.31
1033-FHA-16	16"	16.000"	\$ 105.14



## Flex Hose Adapter

### Hose Spigot X Duct Bell

Part No.	Size	List Price
1034-FHA-02	2"	\$ 73.60
1034-FHA-03	3"	\$ 91.54
1034-FHA-04	4"	\$ 93.08
1034-FHA-05	5"	\$ 132.23
1034-FHA-06	6"	\$ 140.14
1034-FHA-08	8"	\$ 169.22
1034-FHA-10	10"	\$ 205.52
1034-FHA-12	12"	\$ 269.04
1034-FHA-14	14"	\$ 95.11
1034-FHA-16	16"	\$ 111.33



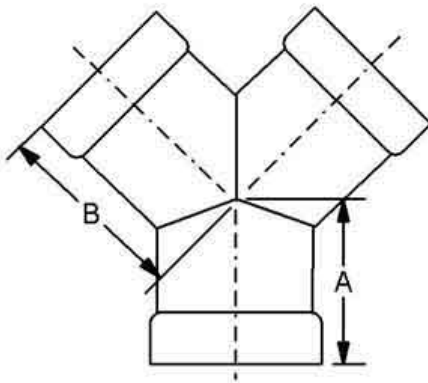
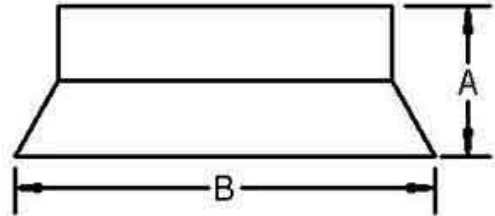


# HARRISON MACHINE & PLASTIC CORPORATION

11614 ST. RT. 88 | GARRETTSVILLE, OH

Ph. 330.527.5641 | Fax 330.527.5640

<b>Rainskirt</b>		
<b>Belled</b>		
Part No.	Size	List price
1034-RS-02	2"	\$ 318.21
1034-RS-03	3"	\$ 351.46
1034-RS-04	4"	\$ 401.80
1034-RS-05	5"	\$ 435.28
1034-RS-06	6"	\$ 468.85
1034-RS-08	8"	\$ 485.58
1034-RS-10	10"	\$ 502.22
1034-RS-12	12"	\$ 585.91
1034-RS-14	14"	\$ 686.45
1034-RS-16	16"	\$ 904.17
1034-RS-18	18"	\$ 1,004.71
1034-RS-20	20"	\$ 1,037.96
1034-RS-24	24"	\$ 1,205.49



<b>True Wye</b>		
<b>Belled</b>		
Part No.	Size	List Price
1034-TY-02	2"	\$ 434.00
1034-TY-03	3"	\$ 438.91
1034-TY-04	4"	\$ 445.25
1034-TY-05	5"	\$ 453.40
1034-TY-06	6"	\$ 484.39
1034-TY-07	7"	\$ 530.57
1034-TY-08	8"	\$ 589.69
1034-TY-09	9"	\$ 621.43
1034-TY-10	10"	\$ 744.93
1034-TY-11	11"	\$ 764.83
1034-TY-12	12"	\$ 920.88
1034-TY-14	14"	\$ 1,159.96
1034-TY-16	16"	\$ 1,415.40
1034-TY-18	18"	\$ 2,402.86
1034-TY-20	20"	\$ 3,041.43
1034-TY-24	24"	\$ 3,624.61



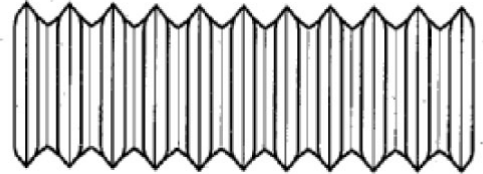
## HARRISON MACHINE & PLASTIC CORPORATION

11614 ST. RT. 88 | GARRETTSVILLE, OH

Ph. 330.527.5641 | Fax 330.527.5640

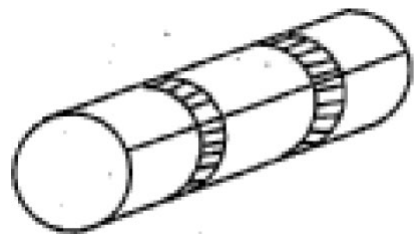
### *Flexible PVC Duct*

Part No.	Size	List Price
1033-FH-02	2"	\$ 12.95
1033-FH-03	3"	\$ 15.94
1033-FH-04	4"	\$ 17.84
1033-FH-05	5"	\$ 18.86
1033-FH-06	6"	\$ 19.69
1033-FH-07	7"	\$ 22.94
1033-FH-08	8"	\$ 25.46
1033-FH-10	10"	\$ 33.80
1033-FH-12	12"	\$ 36.42
1033-FH-14	14"	\$ 41.11
1033-FH-16	16"	\$ 50.86



### *Flexible Duct Coupling*

Part No.	Size	List price
1034-FC-03	3"	\$ 144.49
1034-FC-04	4"	\$ 150.45
1034-FC-06	6"	\$ 163.12
1034-FC-07	7"	\$ 167.58
1034-FC-08	8"	\$ 175.03
1034-FC-09	9"	\$ 179.49
1034-FC-10	10"	\$ 187.68
1034-FC-12	12"	\$ 199.60
1034-FC-14	14"	\$ 207.05
1034-FC-16	16"	\$ 218.97
1034-FC-18	18"	\$ 230.88
1034-FC-20	20"	\$ 242.80
1034-FC-24	24"	\$ 266.63

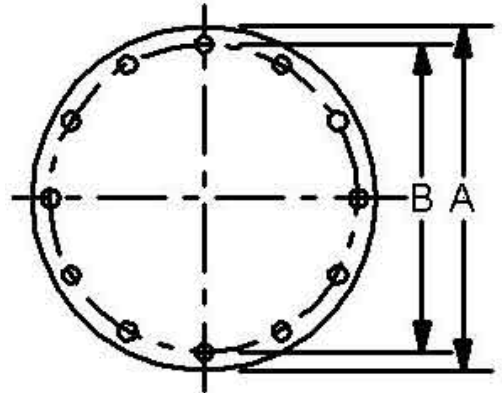
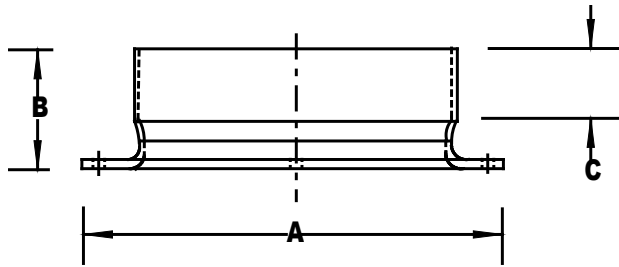




# HARRISON MACHINE & PLASTIC CORPORATION

11614 ST. RT. 88 | GARRETTSVILLE, OH

Ph. 330.527.5641 | Fax 330.527.5640



<b>Flange</b>		
<b>Belled</b>		
Part No.	Size	List Price
1034-SF-02	2"	\$ 82.75
1034-SF-03	3"	\$ 94.62
1034-SF-04	4"	\$ 135.81
1034-SF-05	5"	\$ 143.99
1034-SF-06	6"	\$ 151.65
1034-SF-07	7"	\$ 178.74
1034-SF-08	8"	\$ 194.06
1034-SF-09	9"	\$ 239.07
1034-SF-10	10"	\$ 201.11
1034-SF-11	11"	\$ 245.44
1034-SF-12	12"	\$ 230.79
1034-SF-14	14"	\$ 272.33
1034-SF-16	16"	\$ 338.75
1034-SF-18	18"	\$ 518.15
1034-SF-20	20"	\$ 600.88
1034-SF-24	24"	\$ 659.79

*Duct Drilling, Not 150#*

<b>Blind Flange</b>		
Part No.	Size	List Price
1034-BF-02	2"	\$ 174.67
1034-BF-03	3"	\$ 202.53
1034-BF-04	4"	\$ 229.97
1034-BF-05	5"	\$ 243.08
1034-BF-06	6"	\$ 249.64
1034-BF-08	8"	\$ 268.33
1034-BF-10	10"	\$ 314.27
1034-BF-12	12"	\$ 383.22
1034-BF-14	14"	\$ 304.54
1034-BF-16	16"	\$ 369.17
1034-BF-18	18"	\$ 555.58
1034-BF-20	20"	\$ 670.60
1034-BF-24	24"	\$ 804.89

All blind flanges are 3/16" thick.

All bolt holes are 5/16" diameter.

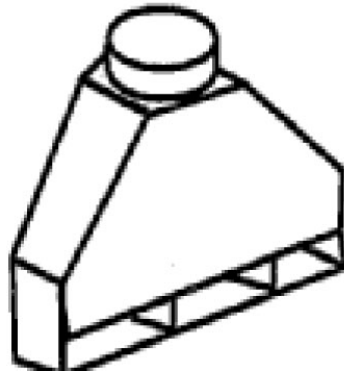




## HARRISON MACHINE & PLASTIC CORPORATION

11614 ST. RT. 88 | GARRETTSVILLE, OH

Ph. 330.527.5641 | Fax 330.527.5640



<b>Rear Exhaust Hood</b>			
<b>Single Slot</b>			
<b>1034-SSH-18</b>	<b>18"</b>	<b>\$</b>	<b>1,409.24</b>
<b>1034-SSH-24</b>	<b>24"</b>	<b>\$</b>	<b>1,526.88</b>
<b>1034-SSH-30</b>	<b>30"</b>	<b>\$</b>	<b>1,761.80</b>
<b>1034-SSH-36</b>	<b>36"</b>	<b>\$</b>	<b>1,878.94</b>
<b>1034-SSH-42</b>	<b>42"</b>	<b>\$</b>	<b>2,116.46</b>
<b>1034-SSH-48</b>	<b>48"</b>	<b>\$</b>	<b>2,290.07</b>
<b>1034-SSH-54</b>	<b>54"</b>	<b>\$</b>	<b>2,419.36</b>
<b>1034-SSH-60</b>	<b>60"</b>	<b>\$</b>	<b>2,524.97</b>
<b>1034-SSH-66</b>	<b>66"</b>	<b>\$</b>	<b>2,701.21</b>
<b>1034-SSH-72</b>	<b>72"</b>	<b>\$</b>	<b>2,994.69</b>

***Please Contact factory for prices on:***

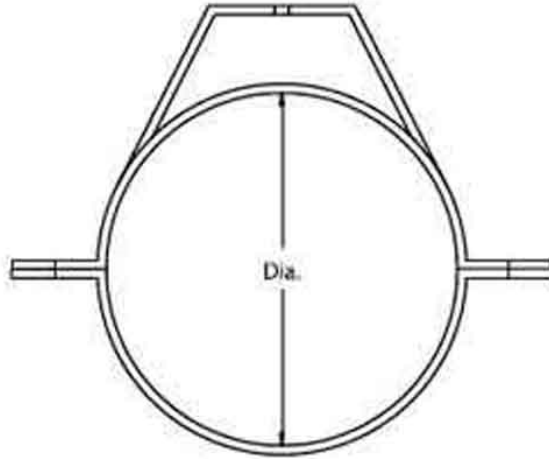
**Double Slot, Single Lateral, Double Lateral, and other custom hoods.**



## HARRISON MACHINE & PLASTIC CORPORATION

11614 ST. RT. 88 | GARRETTSVILLE, OH

Ph. 330.527.5641 | Fax 330.527.5640



<b>Pipe Hangers</b>		
<b>Stainless Steel Type 304</b>		
<b>Part No.</b>	<b>Size</b>	<b>List price</b>
<b>PH-04</b>	<b>4"</b>	<b>\$ 220.11</b>
<b>PH-06</b>	<b>6"</b>	<b>\$ 220.11</b>
<b>PH-08</b>	<b>8"</b>	<b>\$ 220.11</b>
<b>PH-10</b>	<b>10"</b>	<b>\$ 218.84</b>
<b>PH-12</b>	<b>12"</b>	<b>\$ 231.81</b>
<b>PH-14</b>	<b>14"</b>	<b>\$ 233.37</b>
<b>PH-16</b>	<b>16"</b>	<b>\$ 262.67</b>
<b>PH-18</b>	<b>18"</b>	<b>\$ 261.62</b>
<b>PH-20</b>	<b>20"</b>	<b>\$ 271.17</b>
<b>PH-24</b>	<b>24"</b>	<b>\$ 340.54</b>

**Please Contact factory for prices on:**

**Sizes over 24" or otherwise not listed.**



# HARRISON MACHINE & PLASTIC CORPORATION

11614 ST. RT. 88 | GARRETTSVILLE, OH

Ph. 330.527.5641 | Fax 330.527.5640



<i>Actuated Butterfly Damper</i>		
Belled		
Part No.	Size	List Price
1034-ABD-02	2"	\$ 761.18
1034-ABD-03	3"	\$ 771.73
1034-ABD-04	4"	\$ 779.58
1034-ABD-05	5"	\$ 813.80
1034-ABD-06	6"	\$ 774.19
1034-ABD-07	7"	\$ 785.23
1034-ABD-08	8"	\$ 789.51
1034-ABD-09	9"	\$ 799.83
1034-ABD-10	10"	\$ 813.55
1034-ABD-11	11"	\$ 821.76
1034-ABD-12	12"	\$ 827.95
1034-ABD-14	14"	\$ 955.52
1034-ABD-16	16"	\$ 1,017.44
1034-ABD-18	18"	\$ 1,252.83
1034-ABD-20	20"	\$ 1,491.12
1034-ABD-24	24"	\$ 1,960.89



## HARRISON MACHINE & PLASTIC CORPORATION

11614 ST. RT. 88 | GARRETTSVILLE, OH

Ph. 330.527.5641 | Fax 330.527.5640



<i>Roof Flashing</i>		
EPDM		
Part No.	Size	List price
RF-05	4" - 8-1/4"	\$ 68.29
RF-06	4-3/4" - 8-1/4"	\$ 74.58
RF-07	5-1/2" - 11-1/2"	\$ 106.16
RF-08	6-3/4" - 13-1/2"	\$ 141.39
RF-09	9-1/2" - 20-1/2"	\$ 229.68
RF-10	12" - 28-1/2"	\$ 432.45



## HARRISON MACHINE & PLASTIC CORPORATION

11614 ST. RT. 88 | GARRETTSVILLE, OH

Ph. 330.527.5641 | Fax 330.527.5640



***Please Contact factory for prices on:***

**PVC Transitions available with Flange, Socket, or Plain Ends**

- All types of transitions (square to round, rectangular to round) with socket, spigot or flanged connections are available per customer specification

- Please contact the factory for items not shown in this catalog
- Virtually all reduction sizes are available in tees, wyes, elbows and reducer couplings
- All configurations are also available in plain end (spigot end) end connections
- Pricing for Rear Exhaust (Single and Double) Hoods as well as Lateral (Single and Double) Hoods available on request